

Memory Programming Specification

This document includes the programming specifications for the following devices:

- PIC10F200
- PIC10F202
- PIC10F204
- PIC10F206

1.0 PROGRAMMING THE PIC10F200/202/204/206

The PIC10F200/202/204/206 is programmed using a serial method. The Serial mode will allow the PIC10F200/202/204/206 to be programmed while in the user's system. This allows for increased design flexibility. This programming specification applies to PIC10F200/202/204/206 devices in all packages.

1.1 Hardware Requirements

The PIC10F200/202/204/206 requires one power supply for VDD (5.0V) and one for VPP (12V).

1.2 Program/Verify Mode

The Program/Verify mode for the PIC10F200/202/204/206 allows programming of user program memory for user ID locations, backup OSCCAL location and the Configuration Word.

Pin Diagrams

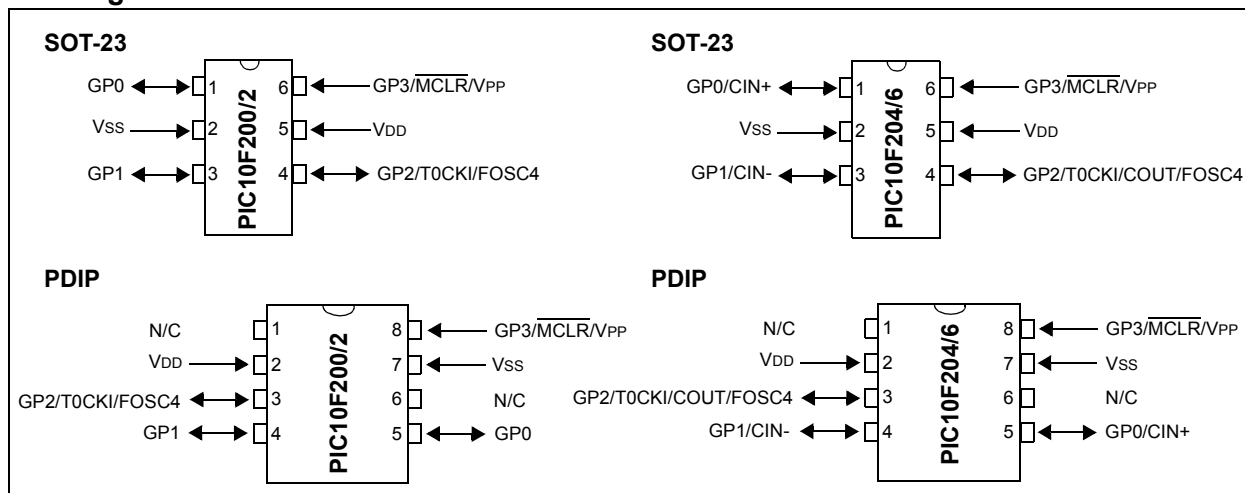


TABLE 1-1: PIN DESCRIPTIONS (DURING PROGRAMMING): PIC10F200/202/204/206

Pin Name	During Programming		
	Function	Pin Type	Pin Description
GP1	ICSPCLK	I	Clock input – Schmitt Trigger input
GP0	ICSPDAT	I/O	Data input/output – Schmitt Trigger input
MCLR/VPP	Program/Verify mode	P	Programming Power
VDD	VDD	P	Power Supply
VSS	VSS	P	Ground

Legend: I = Input, O = Output, P = Power

PIC10F200/202/204/206

2.0 MEMORY MAPPING

2.1 User Program Memory Map

The user memory space extends from (0x000-0x0FF) on the PIC10F200/204 and (0x000-0x1FF) on the PIC10F202/206. In Program/Verify mode, the program memory space extends from (0x000-0x1FF) for the PIC10F200/204 and (0x000-0x3FF) for the PIC10F202/206. The first half, (0x000-0x0FF) and (0x000-0x1FF) respectively, is user program memory. The second half, (0x100-0x1FF) and (0x200-0x3FF) respectively, is configuration memory. The PC will increment from (0x000-0x0FF) and (0x000-0x1FF) respectively, then to 0x100 and 0x200, respectively (not to 0x000).

In the configuration memory space, 0x100-0x13F for the PIC10F200/204, and 0x200-0x23F for the PIC10F202/206, are physically implemented. However, only locations 0x100-0x103 and 0x200-0x203 are available. Other locations are reserved.

2.2 User ID Locations

A user may store identification information (ID) in four user ID locations. The user ID locations are mapped in [0x100:0x103] and [0x200:0x203], respectively. It is recommended that the user use only the four Least Significant bits (LSb) of each user ID location and program the upper 8 bits as '1's. The user ID locations read out normally, even after code protection is enabled. It is recommended that user ID location is written as '1111 1111 bbbb' where 'bbbb' is user ID information.

2.3 Configuration Word

The Configuration Word register is physically located at 0x1FF and 0x3FF, respectively. It is only available upon Program mode entry. Once an Increment Address command is issued, the Configuration Word is no longer accessible, regardless of the address of the program counter.

Note: By convention the Configuration Word register is stored at the logical address location of 0xFFF within the hex file generated for the PIC10F200/202/204/206. This logical address location may not reflect the actual physical address for the part itself. It is the responsibility of the programming software to retrieve the Configuration Word register from the logical address within the hex file and translate the address to the proper physical location when programming.

FIGURE 2-1: PIC10F200/204 PROGRAM MEMORY MAP

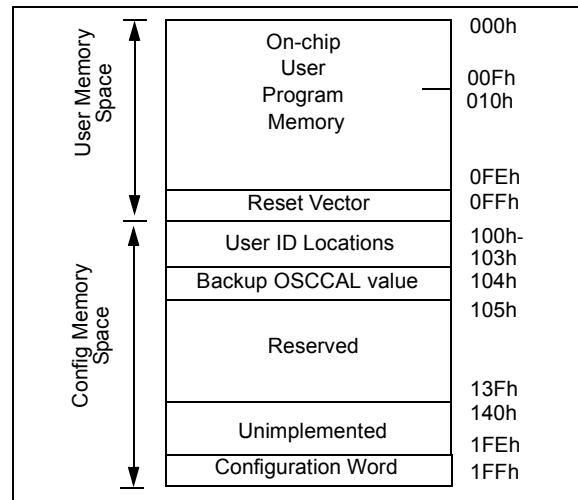
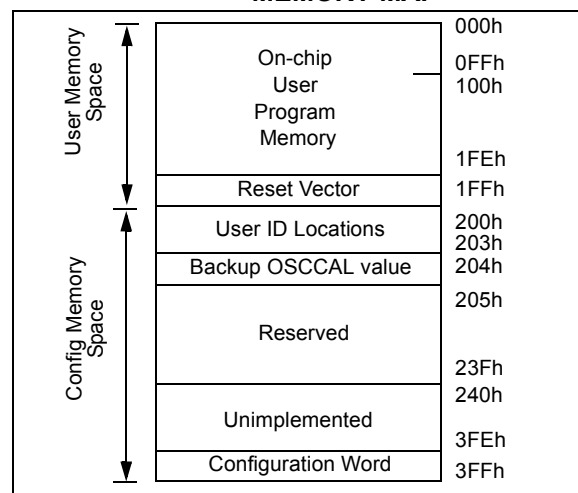


FIGURE 2-2: PIC10F202/206 PROGRAM MEMORY MAP



2.4 Oscillator Calibration Bits

The oscillator calibration bits are stored at the Reset vector as the operand of a MOV_{LW} instruction. Programming interfaces must allow users to program the calibration bits themselves for custom trimming of the INTOSC. Capability for programming the calibration bits when programming the entire memory array must also be maintained for backwards compatibility.

2.5 Backup OSCCAL Value

The backup OSCCAL value, 0x104/0x204, is a factory reserved location where the OSCCAL value is stored during testing of the INTOSC. This location is not erased during a standard Bulk Erase, but is erased if the PC is moved into configuration memory prior to invoking a Bulk Erase. If this value is erased, it is the user's responsibility to rewrite it back to this location for future use.

3.0 COMMANDS AND ALGORITHMS

3.1 Program/Verify Mode

The Program/Verify mode is entered by holding pins ICSPCLK and ICSPDAT low while raising VDD pin from VIL to VDD. Then raise VPP from VIL to VIH. Once in this mode, the user program memory and configuration memory can be accessed and programmed in serial fashion. Clock and data are Schmitt Trigger input in this mode.

The sequence that enters the device into the Programming/Verify mode places all other logic into the Reset state (the MCLR pin was initially at VIL). This means that all I/O are in the Reset state (high-impedance inputs).

3.1.1 PROGRAMMING

The programming sequence loads a word, programs, verifies, and finally increments the PC.

Program/Verify mode entry will set the address to 0x1FF for the PIC10F200/204 and 0x3FF for the PIC10F202/206. The Increment Address command will increment the PC. The available commands are shown in Table 3-1.

FIGURE 3-1: ENTERING HIGH VOLTAGE PROGRAM/VERIFY MODE

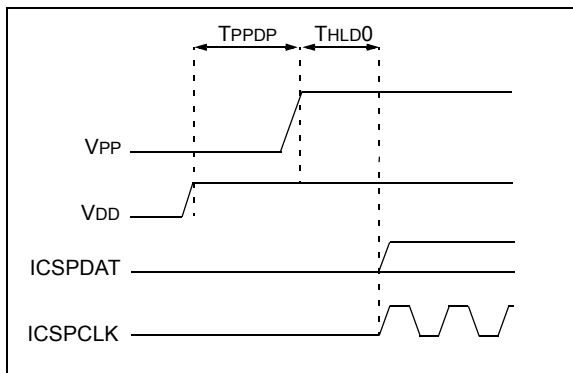


TABLE 3-1: COMMAND MAPPING FOR PIC10F200/202/204/206

Command	Mapping (MSb ... LSb)						Data
Load Data for Program Memory	x	x	0	0	1	0	0, data (14), 0
Read Data from Program Memory	x	x	0	1	0	0	0, data (14), 0
Increment Address	x	x	0	1	1	0	
Begin Programming	x	x	1	0	0	0	Externally Timed
End Programming	x	x	1	1	1	0	
Bulk Erase Program Memory	x	x	1	0	0	1	Internally Timed

3.1.2 SERIAL PROGRAM/VERIFY OPERATION

The ICSPCLK pin is used for clock input and the ICSPDAT pin is used for data input/output during serial operation. To input a command, the clock pin is cycled six times. Each command bit is latched on the falling edge of the clock with the LSb of the command being input first. The data must adhere to the setup (TSET1) and hold (THLD1) times with respect to the falling edge of the clock (see Table 6-1).

Commands that do not have data associated with them are required to wait a minimum of TDLY2 measured from the falling edge of the last command clock to the rising edge of the next command clock (see Table 6-1). Commands that do have data associated with them (Read and Load) are also required to wait TDLY2 between the command and the data segment measured from the falling edge of the last command clock to the rising edge of the first data clock. The data segment, consisting of 16 clock cycles, can begin after this delay.

Note: After every End Programming command, a delay of TDIS is required.

The first and last clock pulses during the data segment correspond to the Start and Stop bits, respectively. Input data is a "don't care" during the Start and Stop cycles. The 14 clock pulses between the Start and Stop cycles clock the 14 bits of input/output data. Data is transferred LSb first.

During Read commands, in which the data is output from the PIC10F200/202/204/206, the ICSPDAT pin transitions from the high-impedance input state to the low-impedance output state at the rising edge of the second data clock (first clock edge after the Start cycle). The ICSPDAT pin returns to the high-impedance state at the rising edge of the 16th data clock (first edge of the Stop cycle). See Figure 3-3.

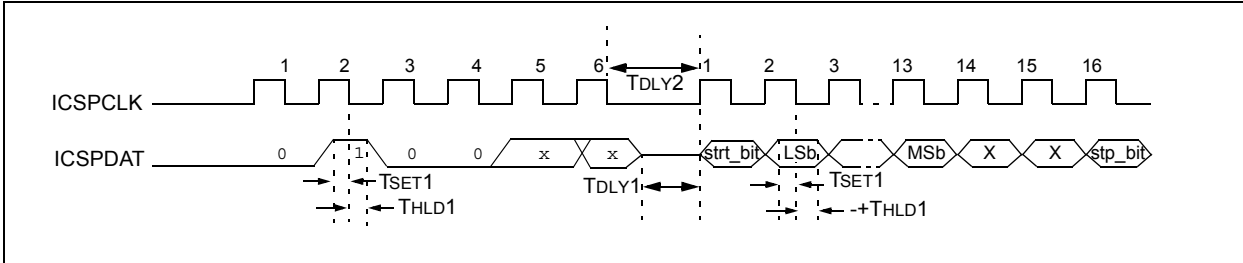
The commands that are available are described in Table 3-1.

PIC10F200/202/204/206

3.1.2.1 Load Data For Program Memory

After receiving this command, the chip will load in a 14-bit “data word” when 16 cycles are applied, as described previously. Because this is a 12-bit core, the two MSBs of the data word are ignored. A timing diagram for the Load Data command is shown in Figure 3-2.

FIGURE 3-2: LOAD DATA COMMAND (PROGRAM/VERIFY)

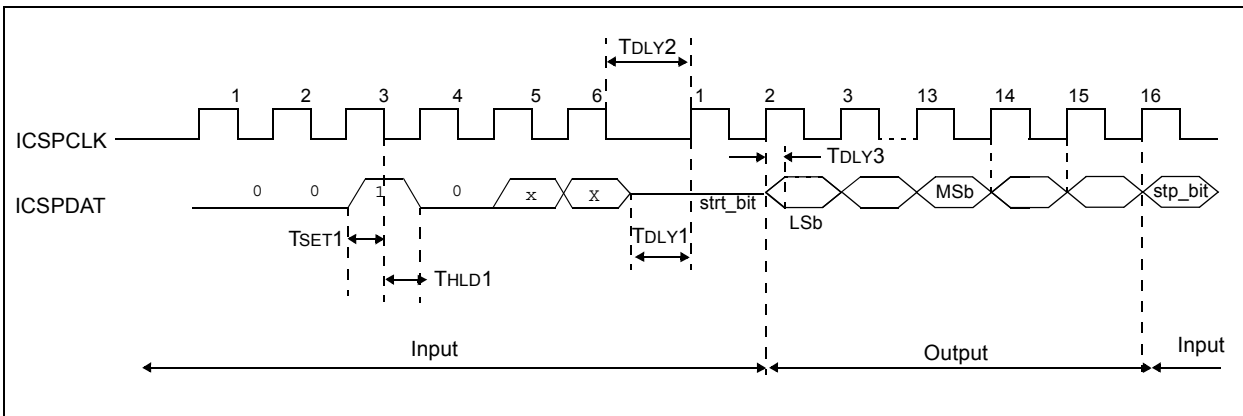


3.1.2.2 Read Data From Program Memory

After receiving this command, the chip will transmit data bits out of the program memory (user or configuration) currently addressed, starting with the second rising edge of the clock input. The data pin will go into Output mode on the second rising clock edge, and it will revert to Input mode (high-impedance) after the 16th rising edge. Because this is a 12-bit core, the two MSBs of the 14-bit word will be read as ‘0’s.

If the program memory is code-protected ($\overline{CP} = 0$), portions of the program memory will be read as zeros. See **Section 5.0 “Code Protection”** for details.

FIGURE 3-3: READ DATA FROM PROGRAM MEMORY COMMAND

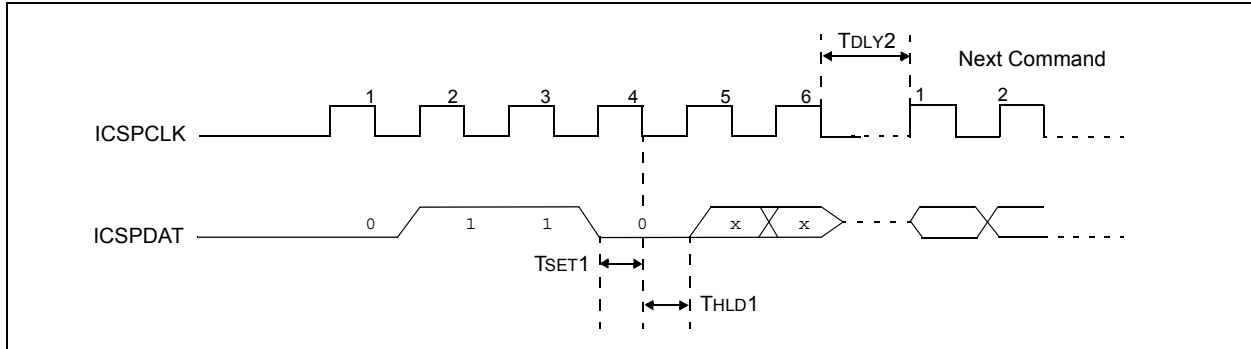


3.1.2.3 Increment Address

The PC is incremented when this command is received. A timing diagram of this command is shown in Figure 3-4.

It is not possible to decrement the address counter. To reset this counter, the user must either exit and re-enter Program/Verify mode or increment the PC from 0x1FF for the PIC10F200/204 or 0x3FF for the PIC10F202/206 to 0x000.

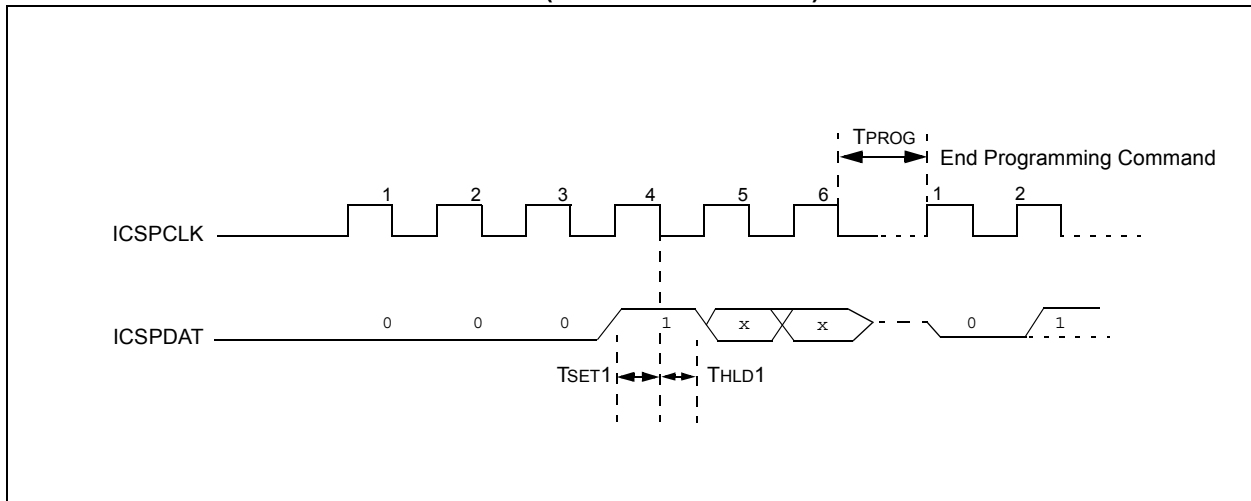
FIGURE 3-4: INCREMENT ADDRESS COMMAND



3.1.2.4 Begin Programming (Externally Timed)

A Load command must be given before every Begin Programming command. Programming will begin after this command is received and decoded. Programming requires (T_{PROG}) time and is terminated using an End Programming command. This command programs the current location, no erase is performed.

FIGURE 3-5: BEGIN PROGRAMMING (EXTERNALLY TIMED)

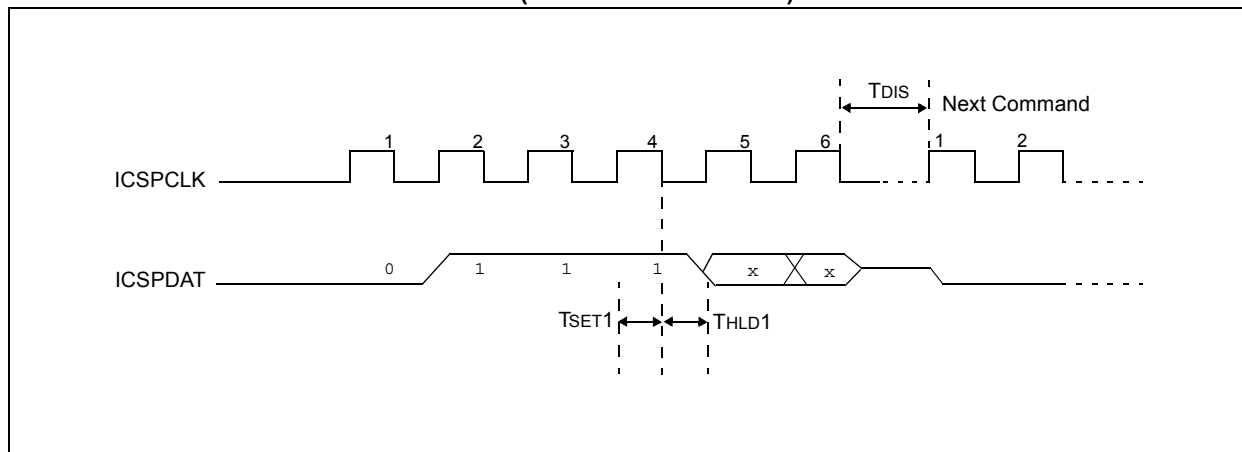


PIC10F200/202/204/206

3.1.2.5 End Programming

The End Programming command terminates the program process. A delay of T_{DIS} (see Table 6-1) is required before the next command to allow the internal programming voltage to discharge (see Figure 3-6).

FIGURE 3-6: END PROGRAMMING (EXTERNALLY TIMED)



3.1.2.6 Bulk Erase Program Memory

After this command is performed, the entire program memory and Configuration Word is erased.

Note 1: A fully erased part will read '1's in every program memory location.

2: The oscillator calibration bits are erased if a Bulk Erase is invoked. They must be read and saved prior to erasing the device and restored during the programming operation. Oscillator calibration bits are stored at the Reset vector as the operand of a `MOVLW` instruction.

To perform a Bulk Erase of the program memory and configuration fuses, the following sequence must be performed (see Figure 3-12).

1. Read and save 0x0FF/0x1FF oscillator calibration bits and 0x104/0x204 backup OSCCAL bits into computer/programmer temporary memory.
2. Enter Program/Verify mode. PC is set to Configuration Word address.
3. Perform a Bulk Erase Program Memory command.
4. Wait T_{ERA} to complete Bulk Erase.
5. Restore OSCCAL bits.

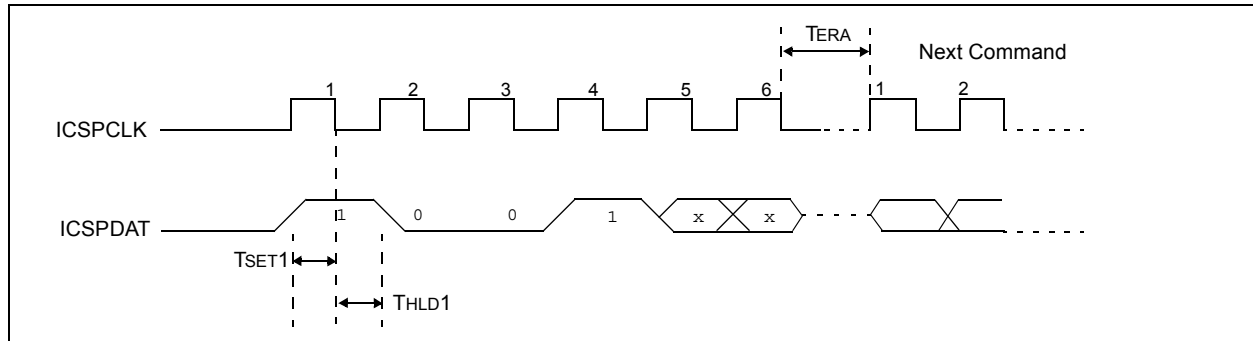
To perform a full device Bulk Erase of the program memory, configuration fuses, user IDs and backup OSCCAL value, the following sequence must be performed (see Figure 3-13).

1. Read and save 0x0FF/0x1FF oscillator calibration bits and 0x104/0x204 backup OSCCAL bits into computer/programmer temporary memory.
2. Enter Program/Verify mode.
3. Increment PC to 0x200/0x400 (first user ID location).
4. Perform a Bulk Erase command.
5. Wait T_{ERA} to complete Bulk Erase.
6. Restore OSCCAL bits.
7. Restore backup OSCCAL bits.

TABLE 3-2: BULK ERASE RESULTS

PC =	Program Memory Space		Configuration Memory Space		
	Program Memory	Reset Vector	Configuration Word	User ID	Backup OSCAL
Configuration Word or Program Memory Space	E	E	E	U	U
First User ID Location	E	E	E	E	E

FIGURE 3-7: BULK ERASE PROGRAM MEMORY COMMAND



PIC10F200/202/204/206

FIGURE 3-8: READING AND TEMPORARY SAVING OF THE OSCCAL CALIBRATION BITS

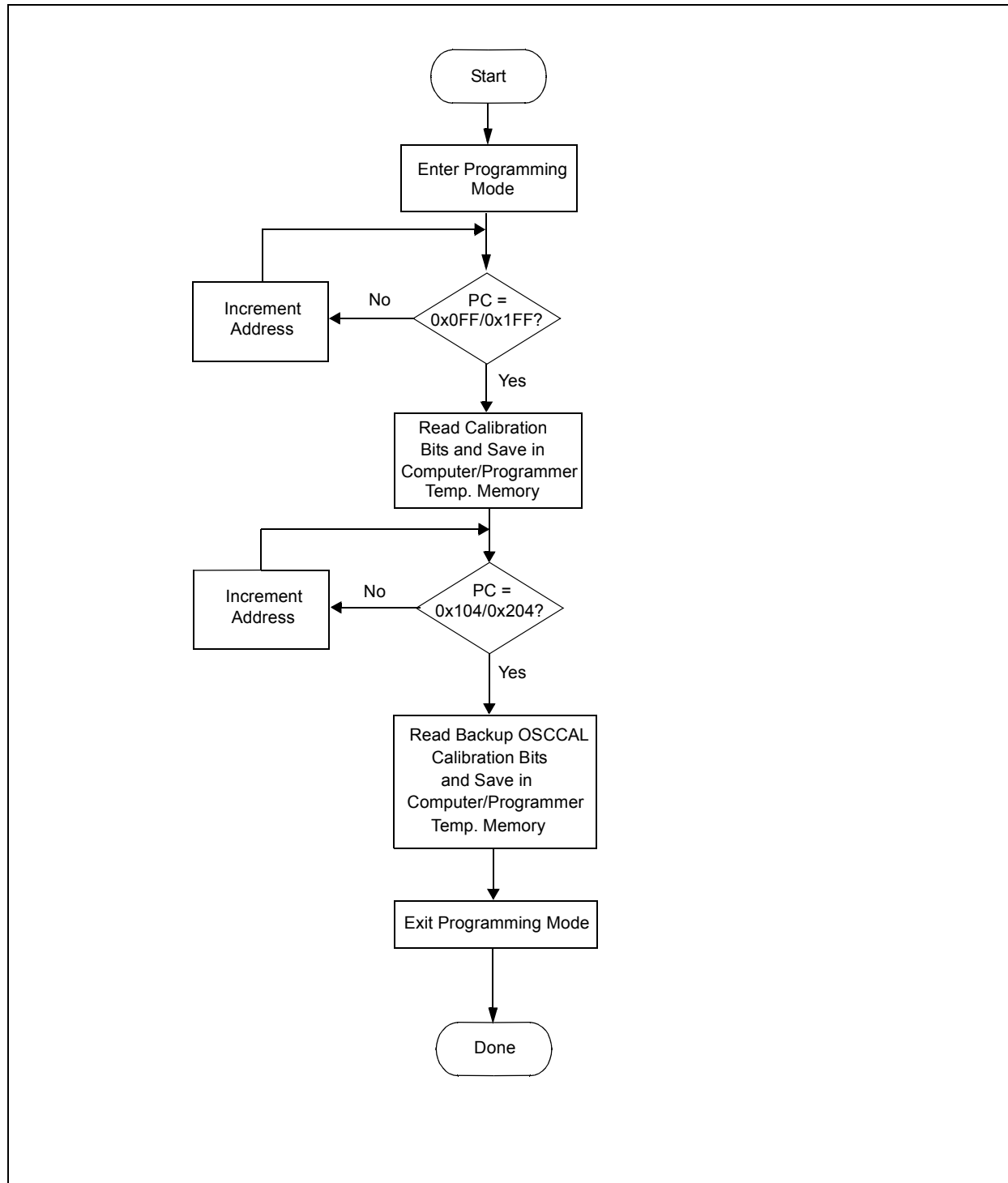
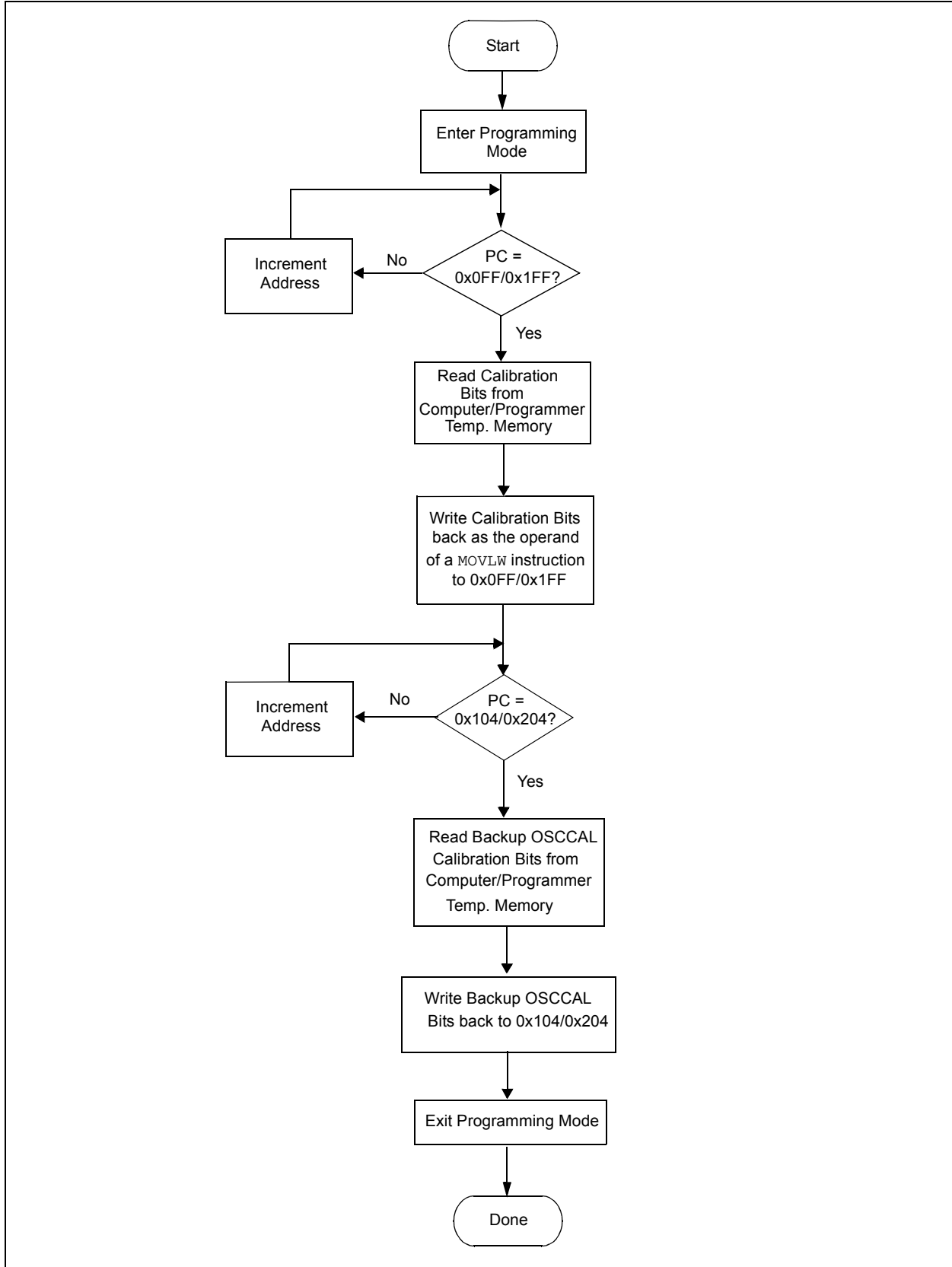


FIGURE 3-9: RESTORING/PROGRAMMING THE OSCCAL CALIBRATION BITS



PIC10F200/202/204/206

FIGURE 3-10: PROGRAM FLOW CHART – PIC10F200/202/204/206 PROGRAM MEMORY

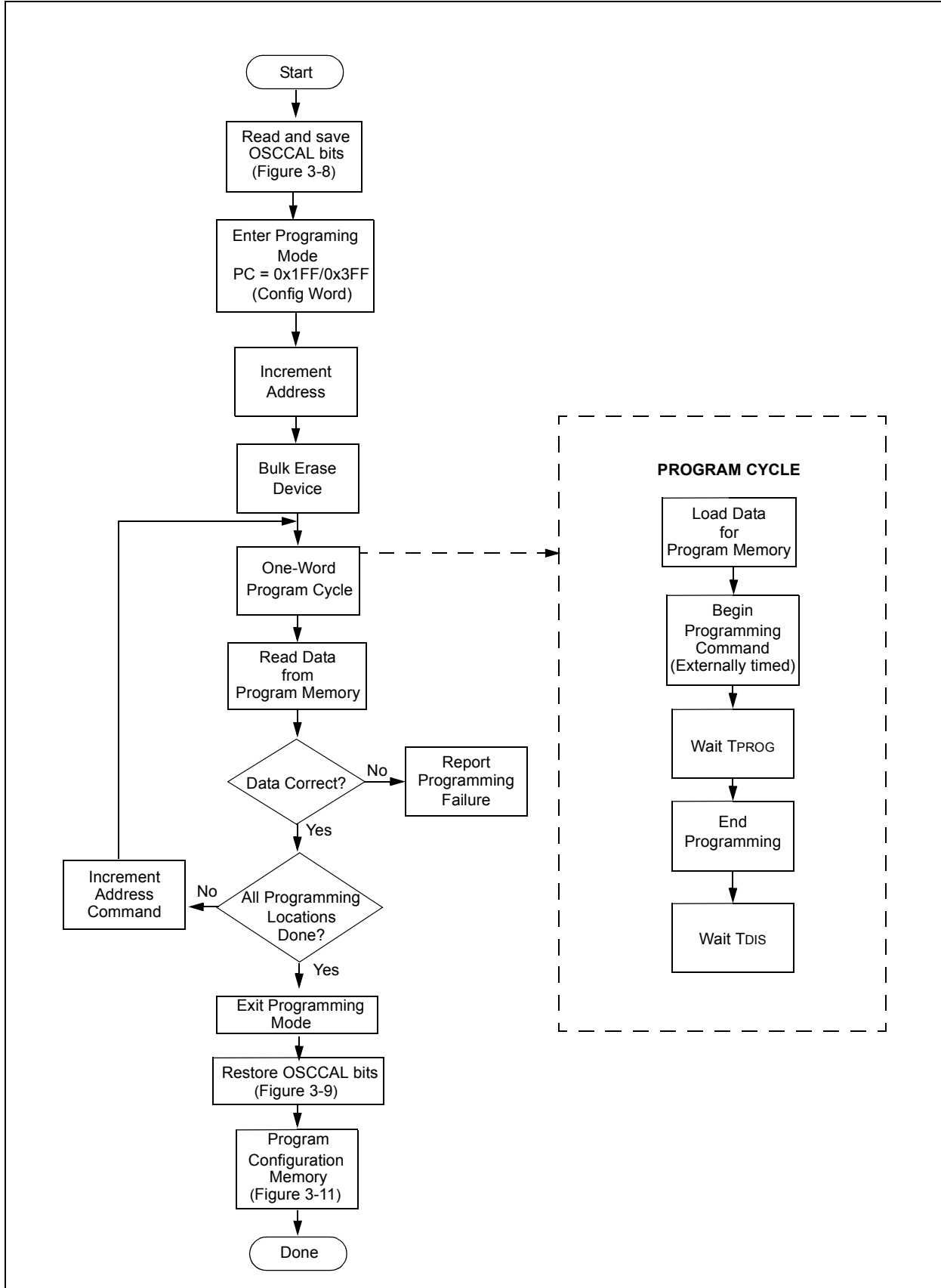
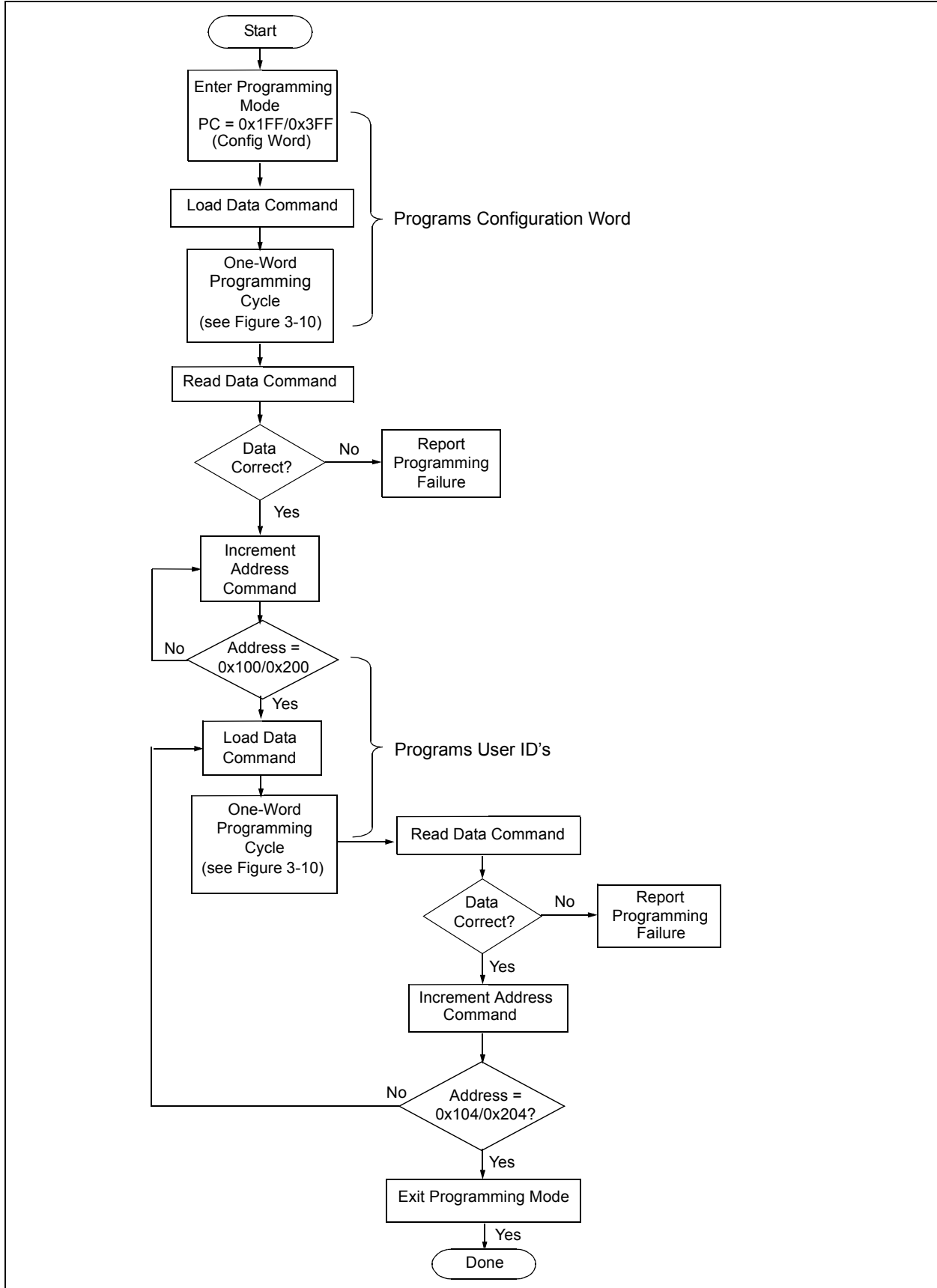


FIGURE 3-11: PROGRAM FLOW CHART – PIC10F200/202/204/206 CONFIGURATION MEMORY



PIC10F200/202/204/206

FIGURE 3-12: PROGRAM FLOW CHART – ERASE PROGRAM MEMORY, CONFIGURATION WORD

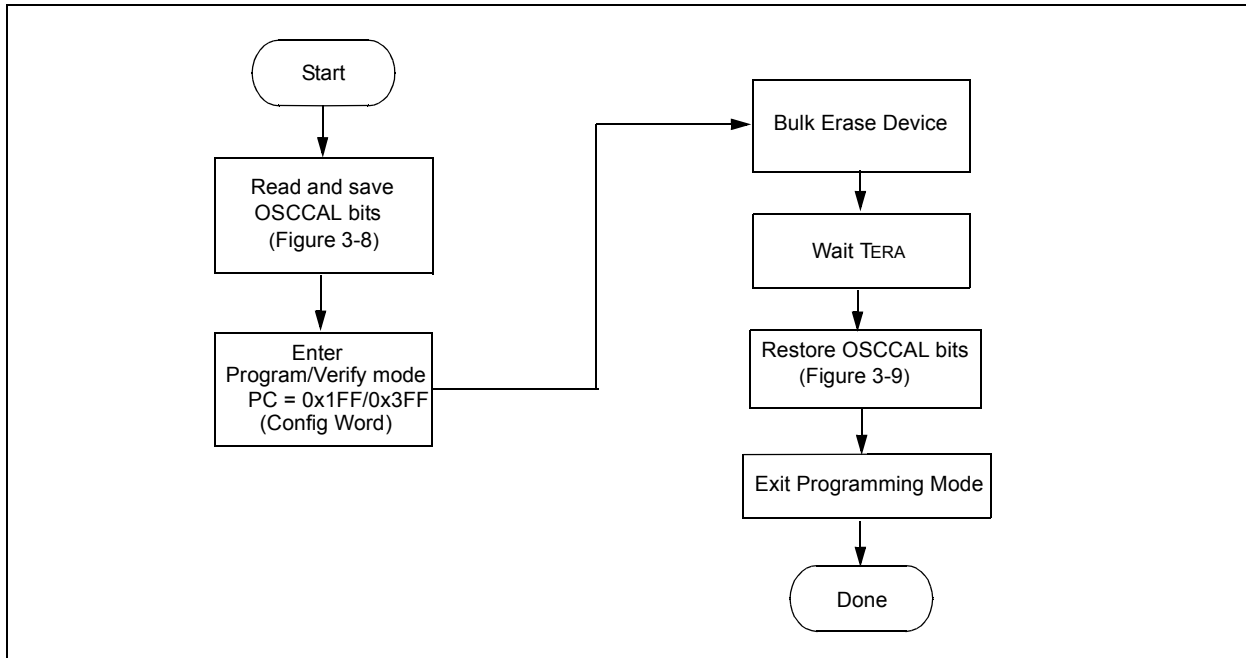
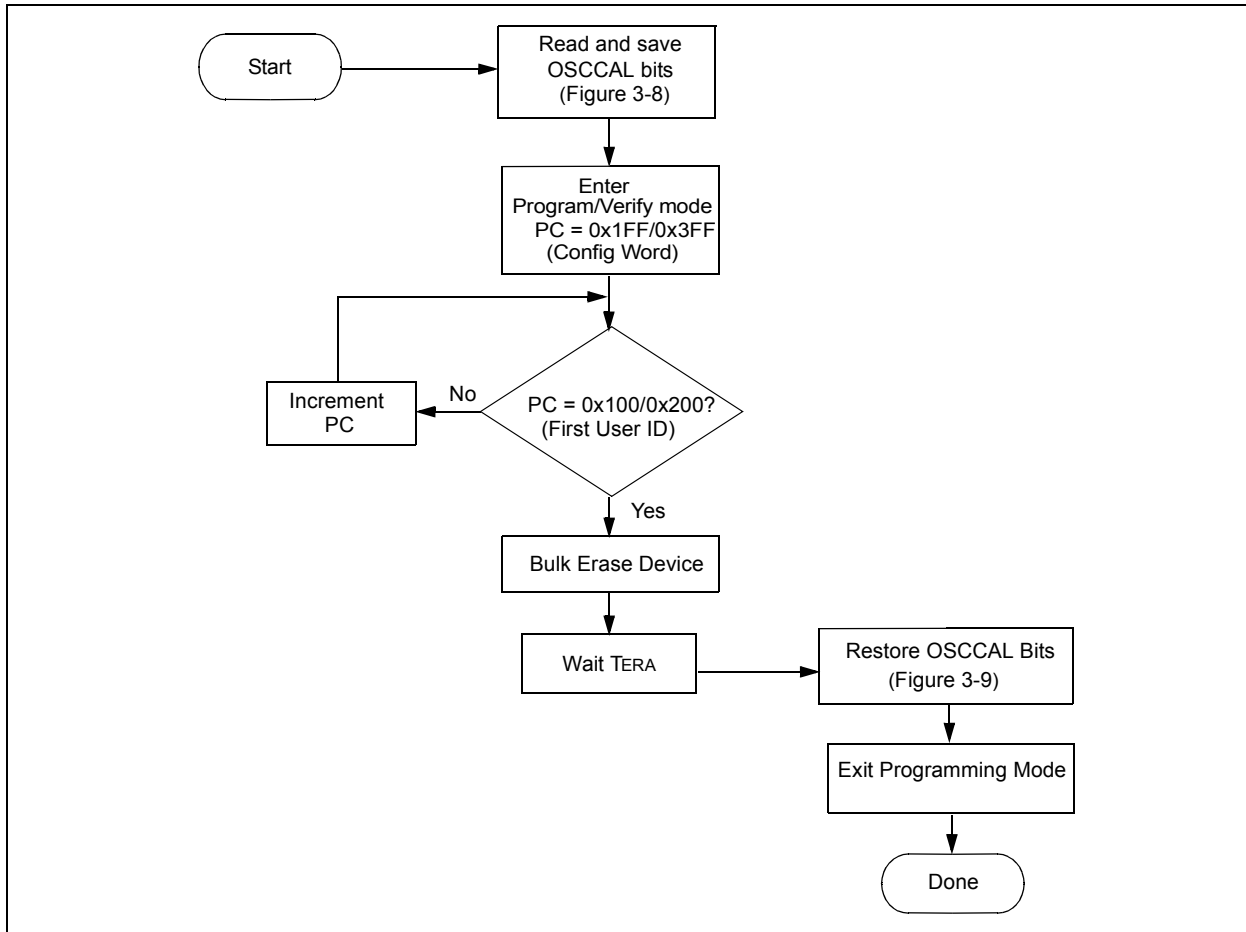


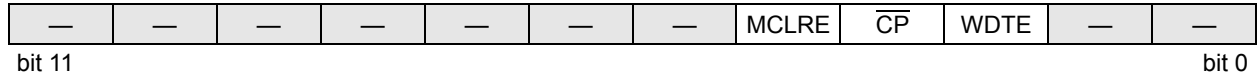
FIGURE 3-13: PROGRAM FLOW CHART – ERASE PROGRAM MEMORY, CONFIGURATION WORD AND USER ID



4.0 CONFIGURATION WORD

The PIC10F200/202/204/206 has several Configuration bits. These bits can be programmed (reads '0') or left unchanged (reads '1'), to select various device configurations.

REGISTER 4-1: CONFIGURATION WORD – PIC10F200/202/204/206



bit 11-5 **Unimplemented:** Read as '1'

bit 4 **MCLRE:** Master Clear Enable bit

1 = GP3/ \overline{MCLR} pin functions as \overline{MCLR}

0 = GP3/ \overline{MCLR} pin functions as GP3, \overline{MCLR} internally tied to VDD

bit 3 **\overline{CP} :** Code Protection bit

1 = Code protection off

0 = Code protection on

bit 2 **WDTE:** Watchdog Timer Enable bit

1 = WDT enabled

0 = WDT disabled

bit 1-0 **Unimplemented:** Read as '1'

Legend:

R = Readable bit

W = Writable bit

U = Unimplemented bit, read as '0'

- n = Value at POR

'1' = Bit is set

'0' = Bit is cleared

x = Bit is unknown

PIC10F200/202/204/206

5.0 CODE PROTECTION

For the PIC10F200/202/204/206, once code protection is enabled, all program memory locations, 0x040-0x0FE (F200/204) and 0x040-x1FE (F202/206) inclusive, read all '0's. Program memory locations, 0x000-0x03F, 0x0FF (F200/204) and 0x1FF (F202/206), are always unprotected. The user ID locations, backup OSCCAL locations, and the Configuration Word read out in an unprotected fashion. It is possible to program the user ID locations, backup OSCCAL locations and the Configuration Word after code-protect is enabled.

5.1 Disabling Code Protection

It is recommended that the following procedure be performed before any other programming is attempted. It is also possible to turn code protection off ($\overline{CP} = 1$) using this procedure. However, *all data within the program memory will be erased when this procedure is executed, and thus, the security of the code is not compromised.*

To disable code-protect:

- a) Enter Program mode.
- b) Execute Bulk Erase Program Memory command (001001).
- c) Wait TERA.

5.2 Embedding Configuration Word and User ID Information in the Hex File

Note: To allow portability of code, the programmer is required to read the Configuration Word and user ID locations from the hex file when loading the hex file. If Configuration Word information was not present in the hex file, then a simple warning message may be issued. Similarly, while saving a hex file, Configuration Word and user ID information must be included. An option to not include this information may be provided. Microchip Technology Incorporated feels strongly that this feature is important for the benefit of the end customer.

5.3 Checksum Computation

5.3.1 CHECKSUM

Checksum is calculated by reading the contents of the PIC10F200/202/204/206 memory locations and adding up the opcodes up to the maximum user addressable location (e.g., 0x1FF for the PIC10F202/206). Any Carry bits exceeding 16 bits are neglected. Finally, the Configuration Word (appropriately masked) is added to the checksum. Checksum computation for the PIC10F200/202/204/206 is shown in Table 5-2.

The checksum is calculated by summing the following:

- The contents of all program memory locations
- The Configuration Word, appropriately masked
- Masked user ID locations (when applicable)

The Least Significant 16 bits of this sum is the checksum.

The following table describes how to calculate the checksum for each device.

Note: The checksum calculation differs depending on the code-protect setting. The Configuration Word and user ID locations can always be read regardless of the code protect settings.

PIC10F200/202/204/206

TABLE 5-1: CHECKSUM COMPUTATIONS – PIC10F200/204

Device	Code-Protect	Checksum*	Blank Value	0x723 at 0 and Max Address
PIC10F200/204	OFF	SUM[0x000:0x0FE] + CFGW & 0x01C	0xEF1D	0xDD65
	ON	SUM[0x00:0x3F] + CFGW & 0x01C + SUM_ID ⁽¹⁾	0xEEF1	0xD45D

Legend: CFGW = Configuration Word
 SUM[a:b] = [Sum of locations a to b inclusive]
 SUM_ID = User ID locations masked by 0xF then made into a 16-bit value with ID0 as the Most Significant nibble.

For example, ID0 = 0x1, ID1 = 0x2, ID2 = 0x3, ID3 = 0x4, then SUM_ID = 0x1234.

*Checksum = [Sum of all the individual expressions] MODULO [0xFFFF]

+ = Addition

& = Bitwise AND

Note 1: Checksum shown assumes that SUM_ID contains the unprotected checksum.

TABLE 5-2: CHECKSUM COMPUTATIONS – PIC10F202/206

Device	Code-Protect	Checksum*	Blank Value	0x723 at 0 and Max Address
PIC10F202/206	OFF	SUM[0x000:0x1FE] + CFGW & 0x01C	0xEE1D	0xDC65
	ON	SUM[0x00:0x3F] + CFGW & 0x01C + SUM_ID ⁽¹⁾	0xEDF1	0xD35D

Legend: CFGW = Configuration Word
 SUM[a:b] = [Sum of locations a to b inclusive]
 SUM_ID = User ID locations masked by 0xF then made into a 16-bit value with ID0 as the Most Significant nibble.

For example, ID0 = 0x1, ID1 = 0x2, ID2 = 0x3, ID3 = 0x4, then SUM_ID = 0x1234.

*Checksum = [Sum of all the individual expressions] MODULO [0xFFFF]

+ = Addition

& = Bitwise AND

Note 1: Checksum shown assumes that SUM_ID contains the unprotected checksum.

PIC10F200/202/204/206

6.0 PROGRAM/VERIFY MODE ELECTRICAL CHARACTERISTICS

TABLE 6-1: AC/DC CHARACTERISTICS TIMING REQUIREMENTS FOR PROGRAM/VERIFY MODE

AC/DC CHARACTERISTICS		Standard Operating Conditions (unless otherwise stated)				
		Operating Temperature		10°C ≤ T _A ≤ 40°C		
		Operating Voltage		4.5V ≤ V _{DD} ≤ 5.5V		
Sym.	Characteristics	Min.	Typ.	Max.	Units	Conditions/Comments
General						
VDDPROG	VDD level for programming operations, program memory	4.5	—	5.5	V	
VDDERA	VDD level for Bulk Erase operations, program memory	4.5	—	5.5	V	
IDDPROG	IDD level for programming operations, program memory	—	—	0.5	mA	
IDDERA	IDD level for Bulk Erase operations, program memory	—	—	0.5	mA	
VPP	High voltage on MCLR for Program/Verify mode entry	12.5	—	13.5	V	
IPP	MCLR pin current during Program/Verify mode	—	—	0.45	mA	
TVHHR	MCLR rise time (VSS to VIH) for Program/Verify mode entry	—	—	1.0	μs	
TPPDP	Hold time after VPP↑	5	—	—	μs	
VIH1	(ICSPCLK, ICSPDAT) input high level	0.8 VDD	—	—	V	
VIL1	(ICSPCLK, ICSPDAT) input low level	—	—	0.2 VDD	V	
TSET0	ICSPCLK, ICSPDAT setup time before MCLR↑ (Program/Verify mode selection pattern setup time)	100	—	—	ns	
THLD0	ICSPCLK, ICSPDAT hold time after MCLR↑ (Program/Verify mode selection pattern setup time)	5	—	—	μs	
Serial Program/Verify						
TSET1	Data in setup time before clock↓	100	—	—	ns	
THLD1	Data in hold time after clock↓	100	—	—	ns	
TDLY1	Data input not driven to next clock input (delay required between command/data or command/command)	1.0	—	—	μs	
TDLY2	Delay between clock↓ to clock↑ of next command or data	1.0	—	—	μs	
TDLY3	Clock↑ to data out valid (during Read Data)	—	—	80	ns	
TERA	Erase cycle time	—	6	10 ⁽¹⁾	ms	
TPROG	Programming cycle time (externally timed)	—	1	2 ⁽¹⁾	ms	
TDIS	Time delay for internal programming voltage discharge	100	—	—	μs	
TRESET	Time between exiting Program mode with VDD and VPP at GND and then re-entering Program mode by applying VDD.	—	10	—	ms	

Note 1: Minimum time to ensure that function completes successfully over voltage, temperature and device variations.

Note the following details of the code protection feature on Microchip devices:

- Microchip products meet the specification contained in their particular Microchip Data Sheet.
- Microchip believes that its family of products is one of the most secure families of its kind on the market today, when used in the intended manner and under normal conditions.
- There are dishonest and possibly illegal methods used to breach the code protection feature. All of these methods, to our knowledge, require using the Microchip products in a manner outside the operating specifications contained in Microchip's Data Sheets. Most likely, the person doing so is engaged in theft of intellectual property.
- Microchip is willing to work with the customer who is concerned about the integrity of their code.
- Neither Microchip nor any other semiconductor manufacturer can guarantee the security of their code. Code protection does not mean that we are guaranteeing the product as "unbreakable."

Code protection is constantly evolving. We at Microchip are committed to continuously improving the code protection features of our products. Attempts to break Microchip's code protection feature may be a violation of the Digital Millennium Copyright Act. If such acts allow unauthorized access to your software or other copyrighted work, you may have a right to sue for relief under that Act.

Information contained in this publication regarding device applications and the like is provided only for your convenience and may be superseded by updates. It is your responsibility to ensure that your application meets with your specifications. MICROCHIP MAKES NO REPRESENTATIONS OR WARRANTIES OF ANY KIND WHETHER EXPRESS OR IMPLIED, WRITTEN OR ORAL, STATUTORY OR OTHERWISE, RELATED TO THE INFORMATION, INCLUDING BUT NOT LIMITED TO ITS CONDITION, QUALITY, PERFORMANCE, MERCHANTABILITY OR FITNESS FOR PURPOSE. Microchip disclaims all liability arising from this information and its use. Use of Microchip devices in life support and/or safety applications is entirely at the buyer's risk, and the buyer agrees to defend, indemnify and hold harmless Microchip from any and all damages, claims, suits, or expenses resulting from such use. No licenses are conveyed, implicitly or otherwise, under any Microchip intellectual property rights.

Trademarks

The Microchip name and logo, the Microchip logo, Accuron, dsPIC, KEELOQ, KEELOQ logo, microID, MPLAB, PIC, PICmicro, PICSTART, PRO MATE, rPIC and SmartShunt are registered trademarks of Microchip Technology Incorporated in the U.S.A. and other countries.

AmpLab, FilterLab, Linear Active Thermistor, Migratable Memory, MXDEV, MXLAB, SEEVAL, SmartSensor and The Embedded Control Solutions Company are registered trademarks of Microchip Technology Incorporated in the U.S.A.

Analog-for-the-Digital Age, Application Maestro, CodeGuard, dsPICDEM, dsPICDEM.net, dsPICworks, dsSPEAK, ECAN, ECONOMONITOR, FanSense, FlexROM, fuzzyLAB, In-Circuit Serial Programming, ICSP, ICEPIC, Mindi, MiWi, MPASM, MPLAB Certified logo, MPLIB, MPLINK, PICkit, PICDEM, PICDEM.net, PICLAB, PICtail, PowerCal, PowerInfo, PowerMate, PowerTool, REAL ICE, rLAB, Select Mode, Smart Serial, SmartTel, Total Endurance, UNI/O, WiperLock and ZENA are trademarks of Microchip Technology Incorporated in the U.S.A. and other countries.

SQTP is a service mark of Microchip Technology Incorporated in the U.S.A.

All other trademarks mentioned herein are property of their respective companies.

© 2007, Microchip Technology Incorporated, Printed in the U.S.A., All Rights Reserved.

 Printed on recycled paper.

**QUALITY MANAGEMENT SYSTEM
CERTIFIED BY DNV
== ISO/TS 16949:2002 ==**

Microchip received ISO/TS-16949:2002 certification for its worldwide headquarters, design and wafer fabrication facilities in Chandler and Tempe, Arizona; Gresham, Oregon and design centers in California and India. The Company's quality system processes and procedures are for its PIC® MCUs and dsPIC® DSCs, KEELOQ® code hopping devices, Serial EEPROMs, microperipherals, nonvolatile memory and analog products. In addition, Microchip's quality system for the design and manufacture of development systems is ISO 9001:2000 certified.



WORLDWIDE SALES AND SERVICE

AMERICAS

Corporate Office
2355 West Chandler Blvd.
Chandler, AZ 85224-6199
Tel: 480-792-7200
Fax: 480-792-7277
Technical Support:
<http://support.microchip.com>
Web Address:
www.microchip.com

Atlanta
Duluth, GA
Tel: 678-957-9614
Fax: 678-957-1455

Boston
Westborough, MA
Tel: 774-760-0087
Fax: 774-760-0088

Chicago
Itasca, IL
Tel: 630-285-0071
Fax: 630-285-0075

Dallas
Addison, TX
Tel: 972-818-7423
Fax: 972-818-2924

Detroit
Farmington Hills, MI
Tel: 248-538-2250
Fax: 248-538-2260

Kokomo
Kokomo, IN
Tel: 765-864-8360
Fax: 765-864-8387

Los Angeles
Mission Viejo, CA
Tel: 949-462-9523
Fax: 949-462-9608

Santa Clara
Santa Clara, CA
Tel: 408-961-6444
Fax: 408-961-6445

Toronto
Mississauga, Ontario,
Canada
Tel: 905-673-0699
Fax: 905-673-6509

ASIA/PACIFIC

Asia Pacific Office
Suites 3707-14, 37th Floor
Tower 6, The Gateway
Harbour City, Kowloon
Hong Kong
Tel: 852-2401-1200
Fax: 852-2401-3431

Australia - Sydney
Tel: 61-2-9868-6733
Fax: 61-2-9868-6755

China - Beijing
Tel: 86-10-8528-2100
Fax: 86-10-8528-2104

China - Chengdu
Tel: 86-28-8665-5511
Fax: 86-28-8665-7889

China - Fuzhou
Tel: 86-591-8750-3506
Fax: 86-591-8750-3521

China - Hong Kong SAR
Tel: 852-2401-1200
Fax: 852-2401-3431

China - Nanjing
Tel: 86-25-8473-2460
Fax: 86-25-8473-2470

China - Qingdao
Tel: 86-532-8502-7355
Fax: 86-532-8502-7205

China - Shanghai
Tel: 86-21-5407-5533
Fax: 86-21-5407-5066

China - Shenyang
Tel: 86-24-2334-2829
Fax: 86-24-2334-2393

China - Shenzhen
Tel: 86-755-8203-2660
Fax: 86-755-8203-1760

China - Shunde
Tel: 86-757-2839-5507
Fax: 86-757-2839-5571

China - Wuhan
Tel: 86-27-5980-5300
Fax: 86-27-5980-5118

China - Xian
Tel: 86-29-8833-7252
Fax: 86-29-8833-7256

ASIA/PACIFIC

India - Bangalore
Tel: 91-80-4182-8400
Fax: 91-80-4182-8422

India - New Delhi
Tel: 91-11-4160-8631
Fax: 91-11-4160-8632

India - Pune
Tel: 91-20-2566-1512
Fax: 91-20-2566-1513

Japan - Yokohama
Tel: 81-45-471- 6166
Fax: 81-45-471-6122

Korea - Daegu
Tel: 82-53-744-4301
Fax: 82-53-744-4302

Korea - Seoul
Tel: 82-2-554-7200
Fax: 82-2-558-5932 or
82-2-558-5934

Malaysia - Kuala Lumpur
Tel: 60-3-6201-9857
Fax: 60-3-6201-9859

Malaysia - Penang
Tel: 60-4-227-8870
Fax: 60-4-227-4068

Philippines - Manila
Tel: 63-2-634-9065
Fax: 63-2-634-9069

Singapore
Tel: 65-6334-8870
Fax: 65-6334-8850

Taiwan - Hsin Chu
Tel: 886-3-572-9526
Fax: 886-3-572-6459

Taiwan - Kaohsiung
Tel: 886-7-536-4818
Fax: 886-7-536-4803

Taiwan - Taipei
Tel: 886-2-2500-6610
Fax: 886-2-2508-0102

Thailand - Bangkok
Tel: 66-2-694-1351
Fax: 66-2-694-1350

EUROPE

Austria - Wels
Tel: 43-7242-2244-39
Fax: 43-7242-2244-393

Denmark - Copenhagen
Tel: 45-4450-2828
Fax: 45-4485-2829

France - Paris
Tel: 33-1-69-53-63-20
Fax: 33-1-69-30-90-79

Germany - Munich
Tel: 49-89-627-144-0
Fax: 49-89-627-144-44

Italy - Milan
Tel: 39-0331-742611
Fax: 39-0331-466781

Netherlands - Drunen
Tel: 31-416-690399
Fax: 31-416-690340

Spain - Madrid
Tel: 34-91-708-08-90
Fax: 34-91-708-08-91

UK - Wokingham
Tel: 44-118-921-5869
Fax: 44-118-921-5820

10/05/07