



MODEL NO. : TS022GAACB07-00

ISSUED DATE: 2008-02-11

VERSION : Ver 1.0

- Preliminary Specification
- Final Product Specification

Customer : _____

Approved by	Notes

SHANGHAI TIANMA Confirmed :

prepared by	Checked by	Approved by
邢利媛 2008-02-11	简小峰 2008-02-11	刘庆全 2008-02-11

This technical specification is subjected to change without notice

The information contained herein is the exclusive property of SHANGHAI TIANMA MICRO-ELECTRONICS Corporation, and shall not be distributed, reproduced, or disclosed in whole or in part without prior written permission of SHANGHAI TIANMA MICRO-ELECTRONICS Corporation.



Table of Contents

Coversheet.....	1
Table of Contents	2
Record of Revision.....	3
1 General specifications.....	4
2 Input/Output terminals.....	5
3 Absolute maximum ratings.....	7
4 Electrical characteristics.....	8
5 Timing chart	10
6 Optical characteristics	14
7 Environmental / Reliability tests	18
8 Mechanical drawing	19
9 Packing drawing.....	20
10 Precautions for use of LCD modules.....	21



Record of Revision

Rev	Issued Date	Description
1.0	2008-02-11	Preliminary Release



1 General specifications

Feature		Spec
Display Spec.	Size	2.2"
	Resolution	176(RGB) X 220
	Interface	CPU 16 bit
	Color Depth	262K
	Technology type	a-si TFT
	Pixel pitch (mm)	0.198x0.198
	Pixel Configuration	R.G.B. Vertical Stripe
	Display Mode	TM with Normally White
	Surface Treatment(Up Polarizer)	Clear type (3H)
	Surface Treatment(Up TSP)	Clear type (3H)
	Viewing Direction	6 o'clock
	Gray Scale Direction	12 o'clock
Mechanical Characteristics	DIM. LCM (W x H x D) (mm)	40.3x54.36x3.85
	Active Area(mm)	34.848x43.56
	With /Without TSP	WITH TSP
	Weight (gram)	TBD.
	LED Numbers	4 LEDs (in serials)
Electronic	Driver IC	S6D0164

Note 1 : Viewing direction for best image quality is different from TFT definition, there is a 180 degree shift.

Note 2 : Requirements on Environmental Protection: RoHS



2 Input/Output terminals

2.1 TFT LCD Panel

No	Symbol	I/O	Description	Remark
1	GND	P	Ground	
2	TSCYM(-)	O	Touch Panel signal: Down	
3	TSCXM(-)	O	Touch Panel signal: Right	
4	TSCYP(+)	O	Touch Panel signal: Top	
5	TSCXP(+)	O	Touch Panel signal: Left	
6	GND	P	Ground	
7	LCD_D15	I	Data Bus	
8	LCD_D14	I	Data Bus	
9	LCD_D13	I	Data Bus	
10	LCD_D12	I	Data Bus	
11	LCD_D11	I	Data Bus	
12	LCD_D10	I	Data Bus	
13	LCD_D9	I	Data Bus	
14	LCD_D8	I	Data Bus	
15	LCD_D7	I	Data Bus	
16	LCD_D6	I	Data Bus	
17	LCD_D5	I	Data Bus	
18	LCD_D4	I	Data Bus	
19	LCD_D3	I	Data Bus	
20	LCD_D2	I	Data Bus	
21	LCD_D1	I	Data Bus	
22	LCD_D0	I	Data Bus	
23	LCM_CS	I	Chip selection Active low	
24	LCM_RS	I	Register select low: Index high: register	
25	LCM_WR	I	Write signal Active low	
26	LCM_RD	I	Read signal Active low	
27	GND	P	Ground	
28	GND	P	Ground	
29	LCM_RST	I	Reset signal Active low	
30	VDD	P	Power supplier	
31	VDD	P	Power supplier	
32	A+	P	Anode of LED	Note 2-2
33	A+	P	Anode of LED	Note 2-2
34	K-	P	Cathode of LED	Note 2-2
35	K-	P	Cathode of LED	Note 2-2

The information contained herein is the exclusive property of SHANGHAI TIANMA MICRO-ELECTRONICS Corporation, and shall not be distributed, reproduced, or disclosed in whole or in part without prior written permission of SHANGHAI TIANMA MICRO-ELECTRONICS Corporation.



Note2-1: I/O definition:

I----Input

O---Output

P----Power

Note2-2: Figure below shows the connection of backlight LED.





3 Absolute maximum ratings

3.1 Driving TFT LCD Panel

Ta = 25°C

Item	Symbol	MIN	MAX	Unit	Remark
Supply Voltage	VDD	-0.3	5.0	V	
Input Signal Voltage	LCM_CS,LCM_RS,LCM_WR, LCM_RD,LCM_RST,LCD_D[0:15]	-0.3	VDD +0.5	V	
Back Light Forward Current	I _{LED}	--	25	mA	For each LED
Operating Temperature	T _{OPR}	-20	70	°C	
Storage Temperature	T _{STG}	-30	80	°C	



4 Electrical characteristics

4.1 Driving TFT LCD Panel

GND=0V, Ta=25°C

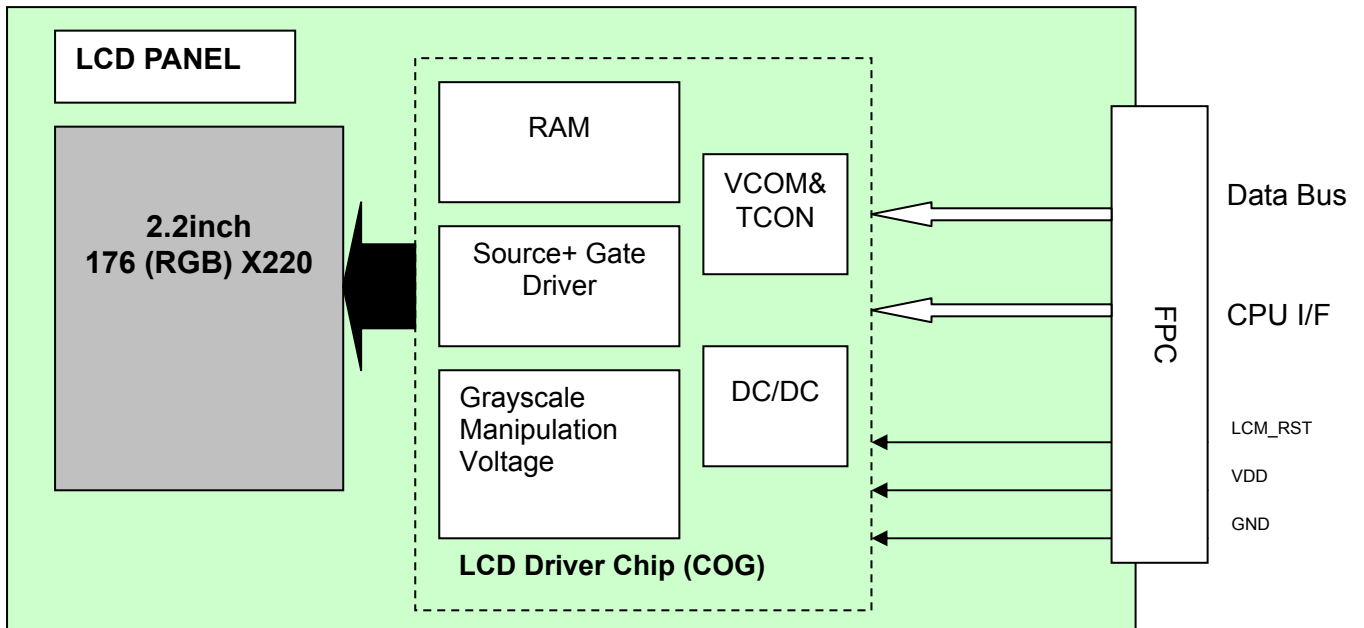
Item	Symbol	MIN	TYP	MAX	Unit	Remark	
Supply Voltage	VDD	1.65	2.8	3.3	V		
Input Signal Voltage	Low Level	V _{IL}	0	--	0.3*VDD	V	LCM_CS,LCM_RS, LCM_WR,LCM_RD, LCM_RST,LCD_D[0:15]
	High Level	V _{IH}	0.7*VDD	--	VDD	V	
Output Signal Voltage	Low Level	V _{OL}	0	--	0.2*VDD	V	
	High Level	V _{OH}	0.8*VDD	--	VDD	V	
(Panel+ LSI) Power Consumption	Black Mode (60Hz)	--	TBD	--	mW		
	Standby Mode	--	TBD	--	mW		
	Sleeping Mode	--	TBD	--	mW		

4.2 Driving Backlight Ta=25°C

Item	Symbol	MIN	TYP	MAX	Unit	Unit
Forward Current	I _F	--	15	25	mA	4 LEDs (in serials)
Forward Voltage	V _F	--	12.8	--	V	
Power Consumption	W _{BL}	--	192	--	mW	



4.3 Block Diagram





5 Timing chart

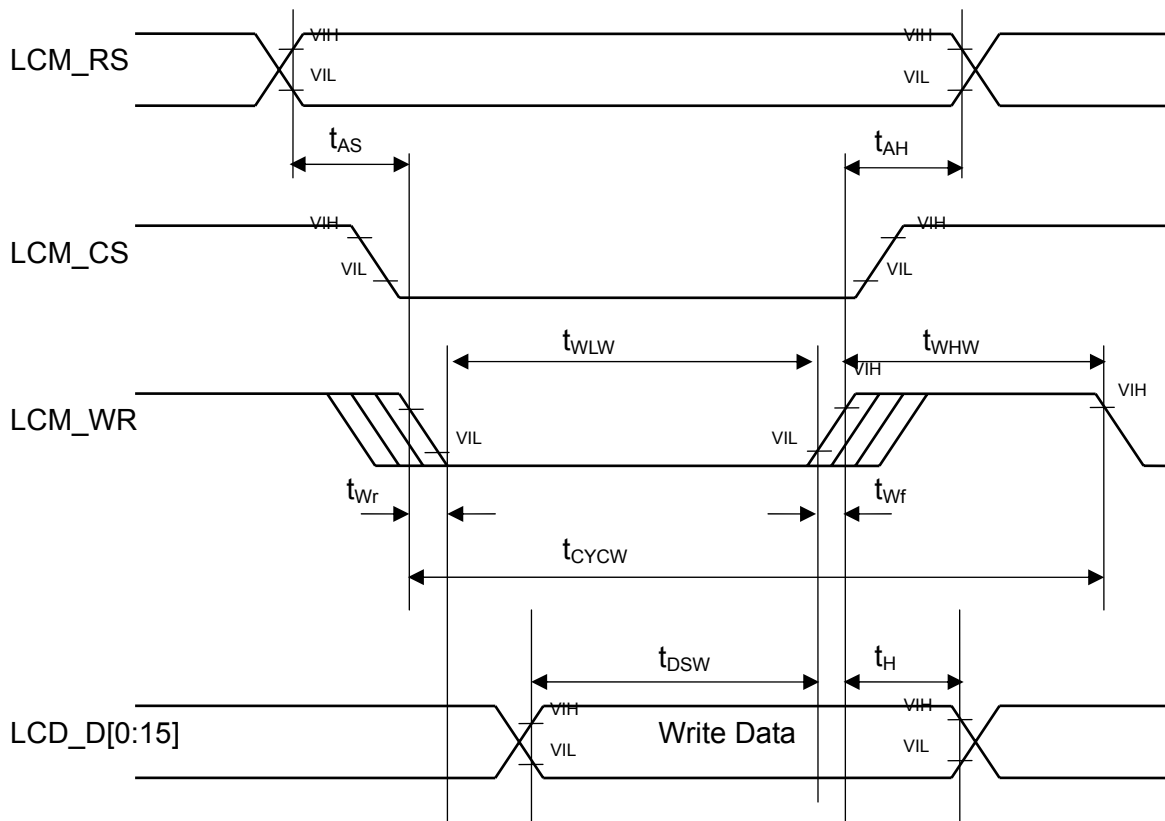
5.1 I80-system

5.1.1 I80-system timing parameter

Normal Write Mode (VCC=2.5~3.3V)

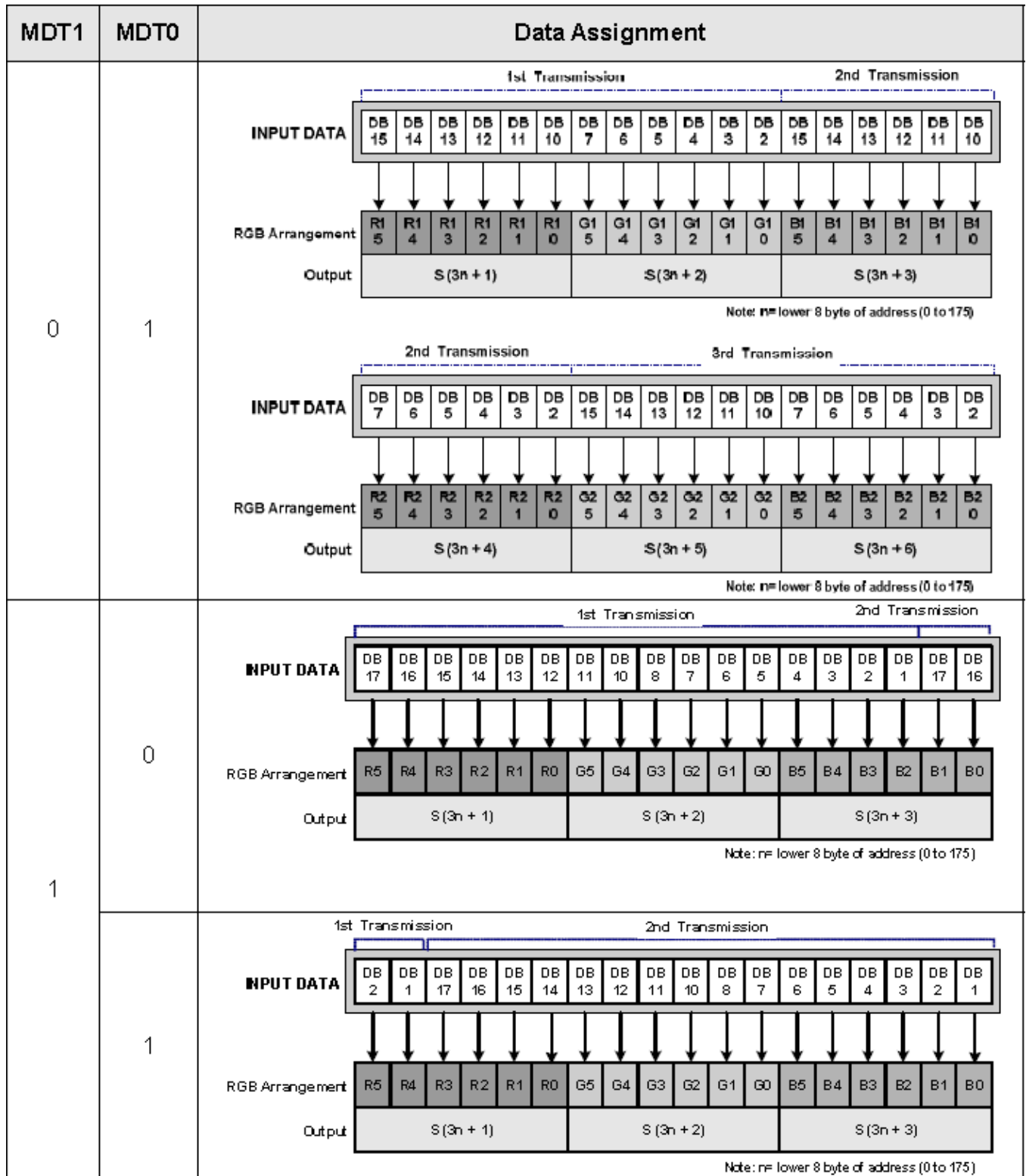
Item	Symbol	Unit	Min.	Typ.	Max.	Test Condition
Bus cycle time	Write	t_{CYCW}	ns	100	-	-
Write low-level pulse width		t_{WLW}	ns	33	-	-
Write high-level pulse width		t_{WHW}	ns	33	-	-
Write rise/fall time		t_{Wr}/t_{Wf}	ns	-	-	25
Setup time	Write (RS to CS, WR)	t_{AS}	ns	10	-	-
Address hold time		t_{AH}	ns	5	-	-
Write data set up time		t_{DSW}	ns	10	-	-
Write data hold time		t_H	ns	15	-	-

5.1.2 I80-system bus timing





5.1.3 I80-system interface with 16-bit data bus

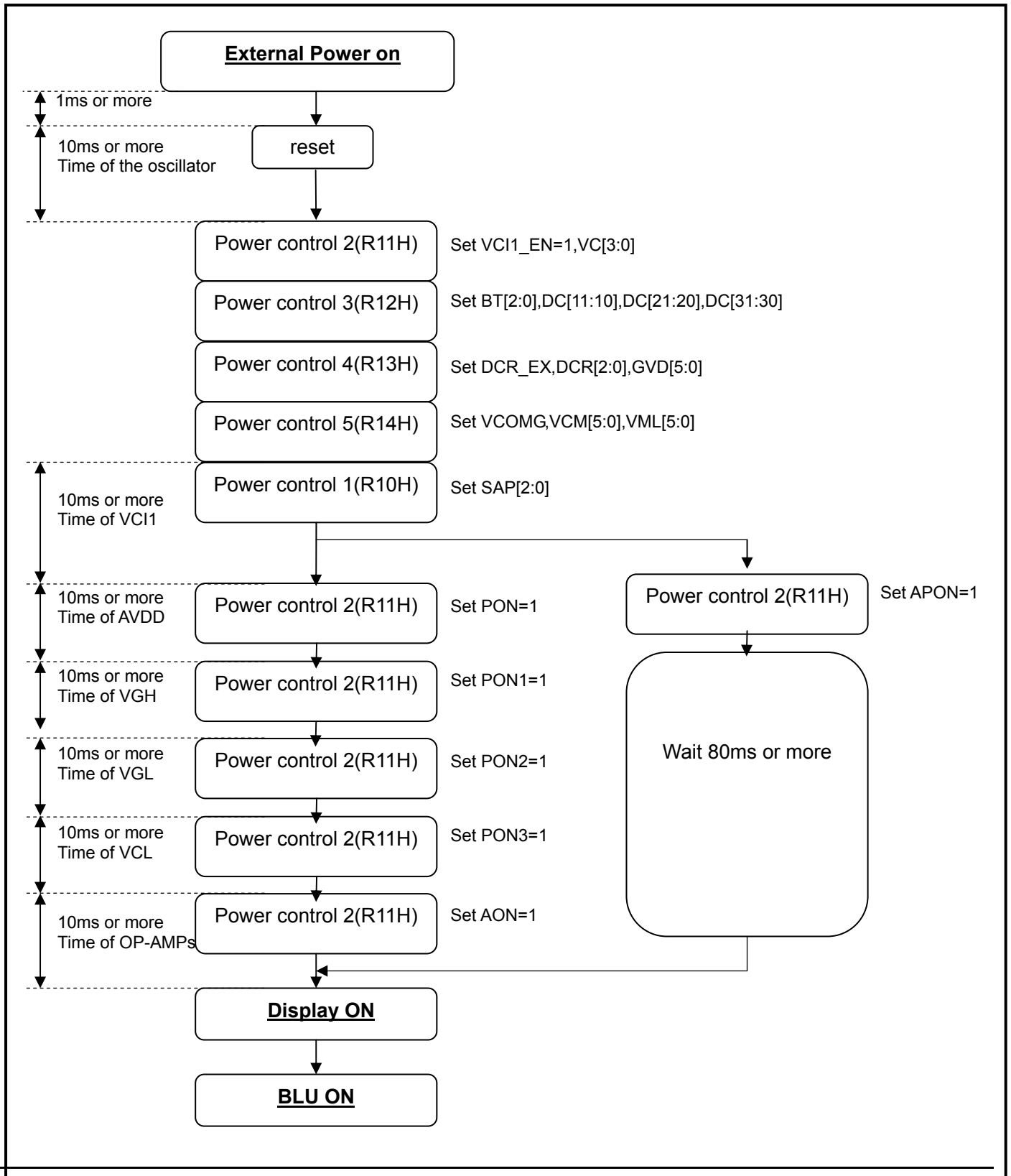


The information contained herein is the exclusive property of SHANGHAI TIANMA MICRO-ELECTRONICS Corporation, and shall not be distributed, reproduced, or disclosed in whole or in part without prior written permission of SHANGHAI TIANMA MICRO-ELECTRONICS Corporation.



5.2 Power On/Off sequence

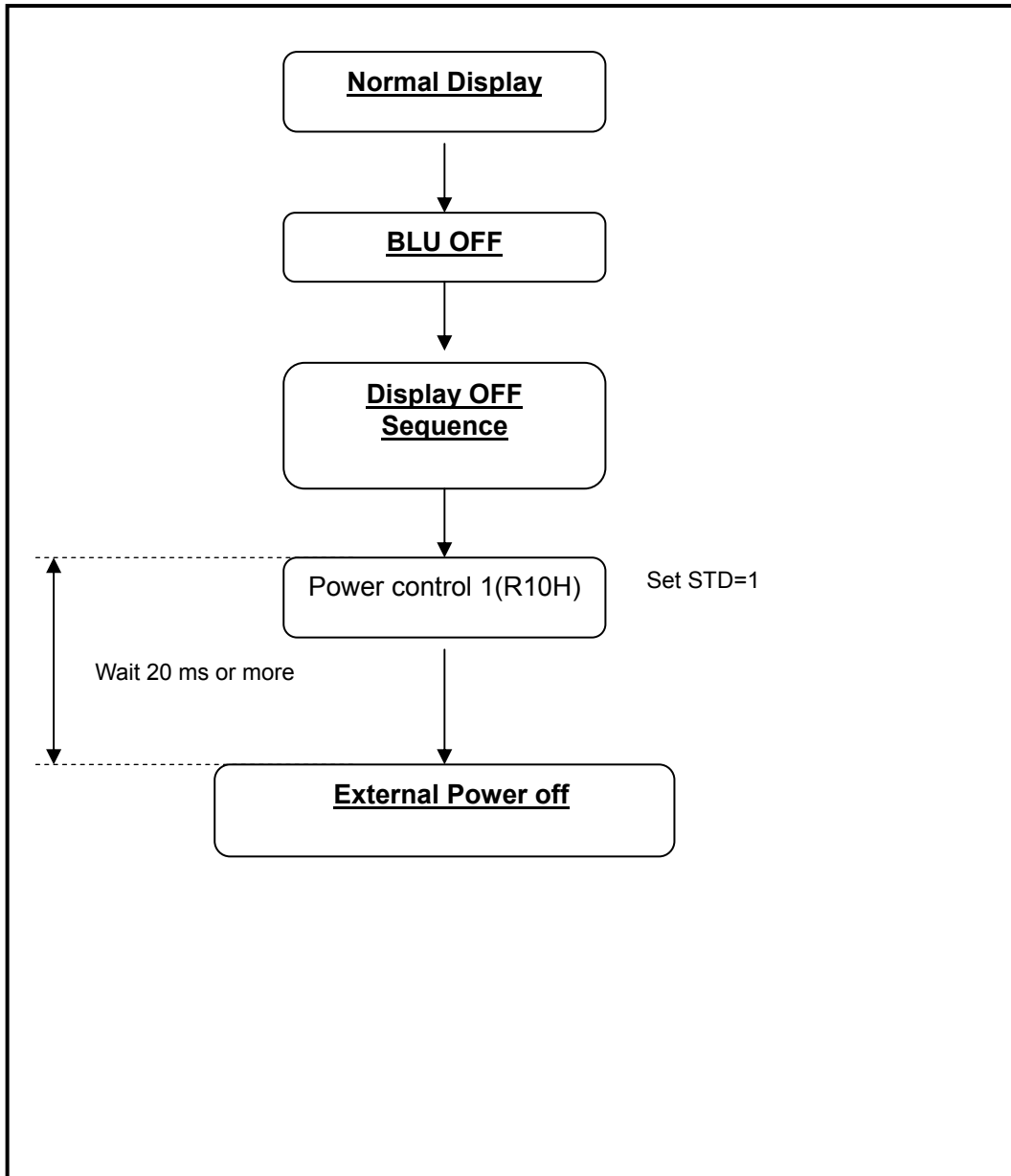
5.2.1 Power on Sequence



The information contained herein is the exclusive property of SHANGHAI TIANMA MICRO-ELECTRONICS Corporation, and shall not be distributed, reproduced, or disclosed in whole or in part without prior written permission of SHANGHAI TIANMA MICRO-ELECTRONICS Corporation.



5.2.2 Power off Sequence





6 Optical characteristics

6.1 Optical Specification

Ta=25°C

Item	Symbol	Condition	Min	Typ.	Max.	Unit	Remark
View Angles	ΘT	$CR \geq 10$	35	40	-	Degree	Note 2
	ΘB		15	20	-		
	ΘL		40	45	-		
	θR		40	45	-		
Contrast Ratio	CR	$\theta = 0^\circ$	200	350	-		Note1 Note3
Response Time	Ton	25°C	-	25	40	ms	Note1
	Toff						Note4
Chromaticity	White	x	Brightness is on	0.26	0.30	0.36	Note5, Note1
		y		0.28	0.33	0.38	
	RED	x		0.57	0.62	0.67	
		y		0.28	0.33	0.38	
	GREEN	x		0.25	0.30	0.35	
		y		0.54	0.59	0.64	
	BLUE	x		0.08	0.13	0.18	
		y		0.07	0.12	0.17	
Uniformity	U		75	80	-	%	Note1 Note6
NTSC			-	60	-	%	Note 5
Luminance	L		110	150	-	cd/m ²	Note1 Note7

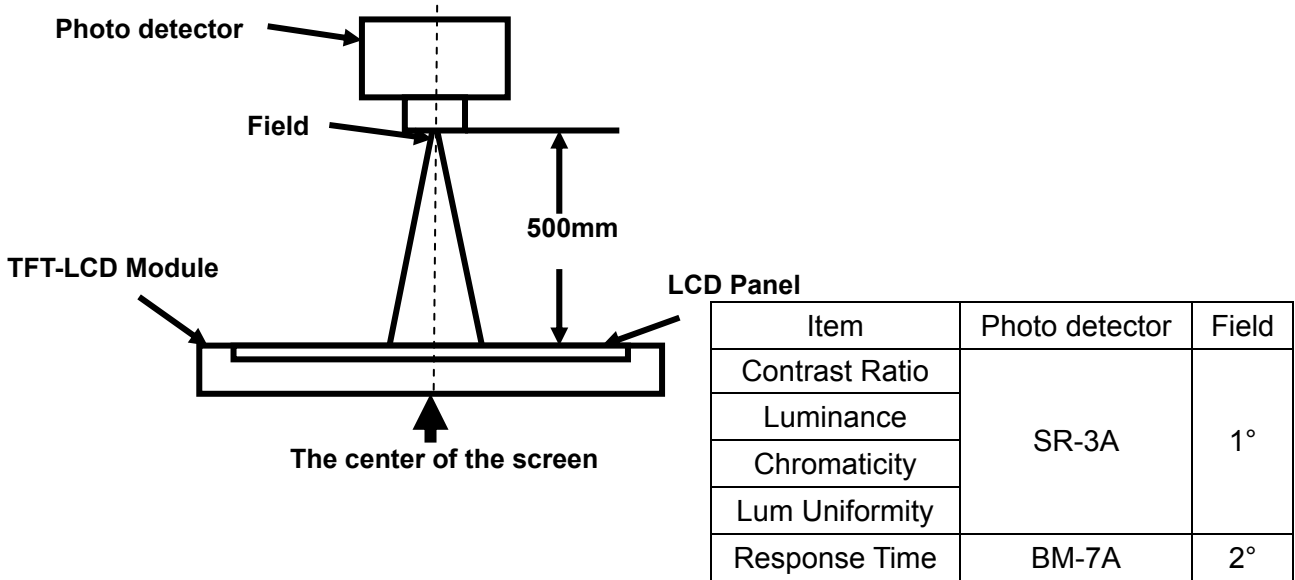
Test Conditions:

- VDD=2.8V, I_L=15mA(Backlight current), the ambient temperature is 25°C.
- The test systems refer to Note 1 and Note 2.



Note 1: Definition of optical measurement system.

The optical characteristics should be measured in dark room. After 5 minutes operation, the optical properties are measured at the center point of the LCD screen. All input terminals LCD panel must be ground when measuring the center area of the panel.



Note 2: Definition of viewing angle range and measurement system.

viewing angle is measured at the center point of the LCD by CONOSCOPE(ergo-80).

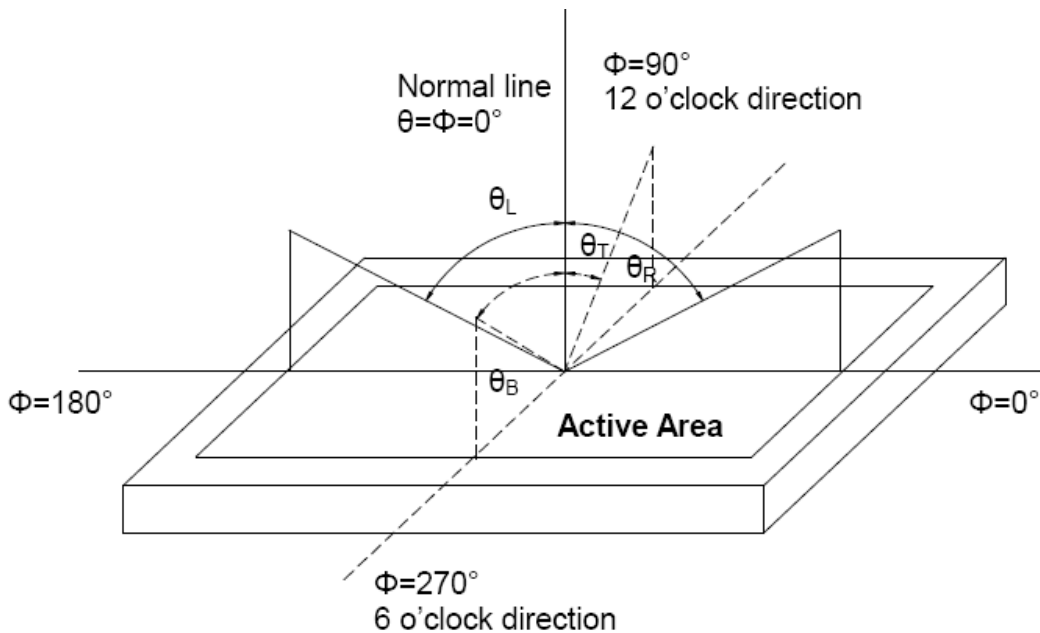


Fig. 1 Definition of viewing angle



Note 3: Definition of contrast ratio

$$\text{Contrast ratio (CR)} = \frac{\text{Luminance measured when LCD is on the "White" state}}{\text{Luminance measured when LCD is on the "Black" state}}$$

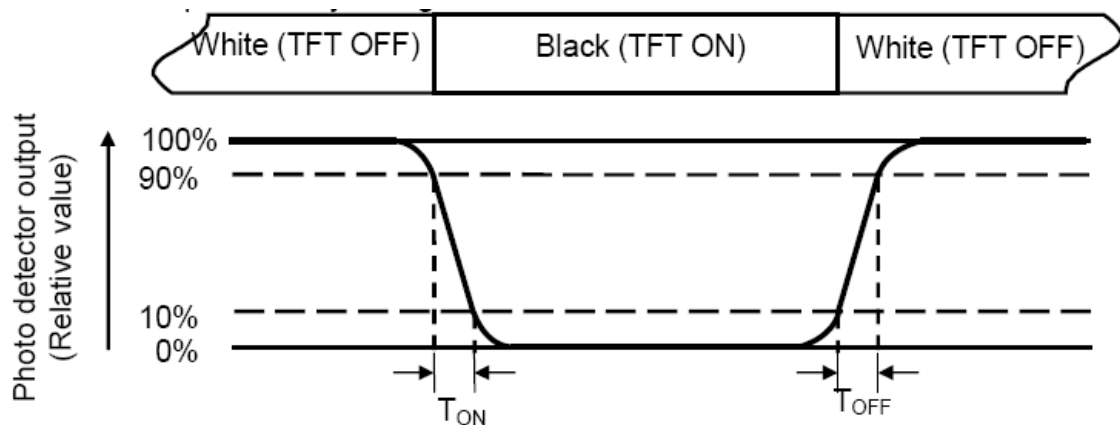
“White state “:The state is that the LCD should driven by Vwhite.

“Black state”: The state is that the LCD should driven by Vblack.

Vwhite: To be determined Vblack: To be determined.

Note 4: Definition of Response time

The response time is defined as the LCD optical switching time interval between “White” state and “Black” state. Rise time (TON) is the time between photo detector output intensity changed from 90% to 10%. And fall time (TOFF) is the time between photo detector output intensity changed from 10% to 90%.



Note 5: Definition of color chromaticity (CIE1931)

Color coordinates measured at center point of LCD.



Note 6: Definition of Luminance Uniformity

Active area is divided into 9 measuring areas (Refer Fig. 2). Every measuring point is placed at the center of each measuring area.

$$\text{Luminance Uniformity}(U) = L_{\min} / L_{\max}$$

L-----Active area length W----- Active area width

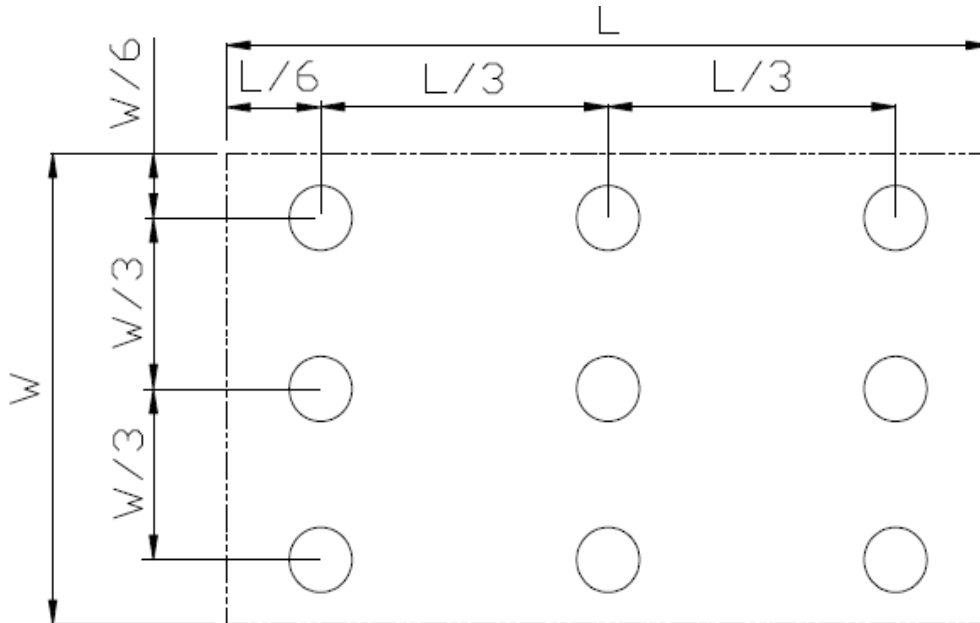


Fig. 2 Definition of uniformity

Lmax: The measured maximum luminance of all measurement position.

Lmin: The measured minimum luminance of all measurement position.

Note 7: Definition of Luminance :

Measure the luminance of white state at center point.



7 Environmental / Reliability tests

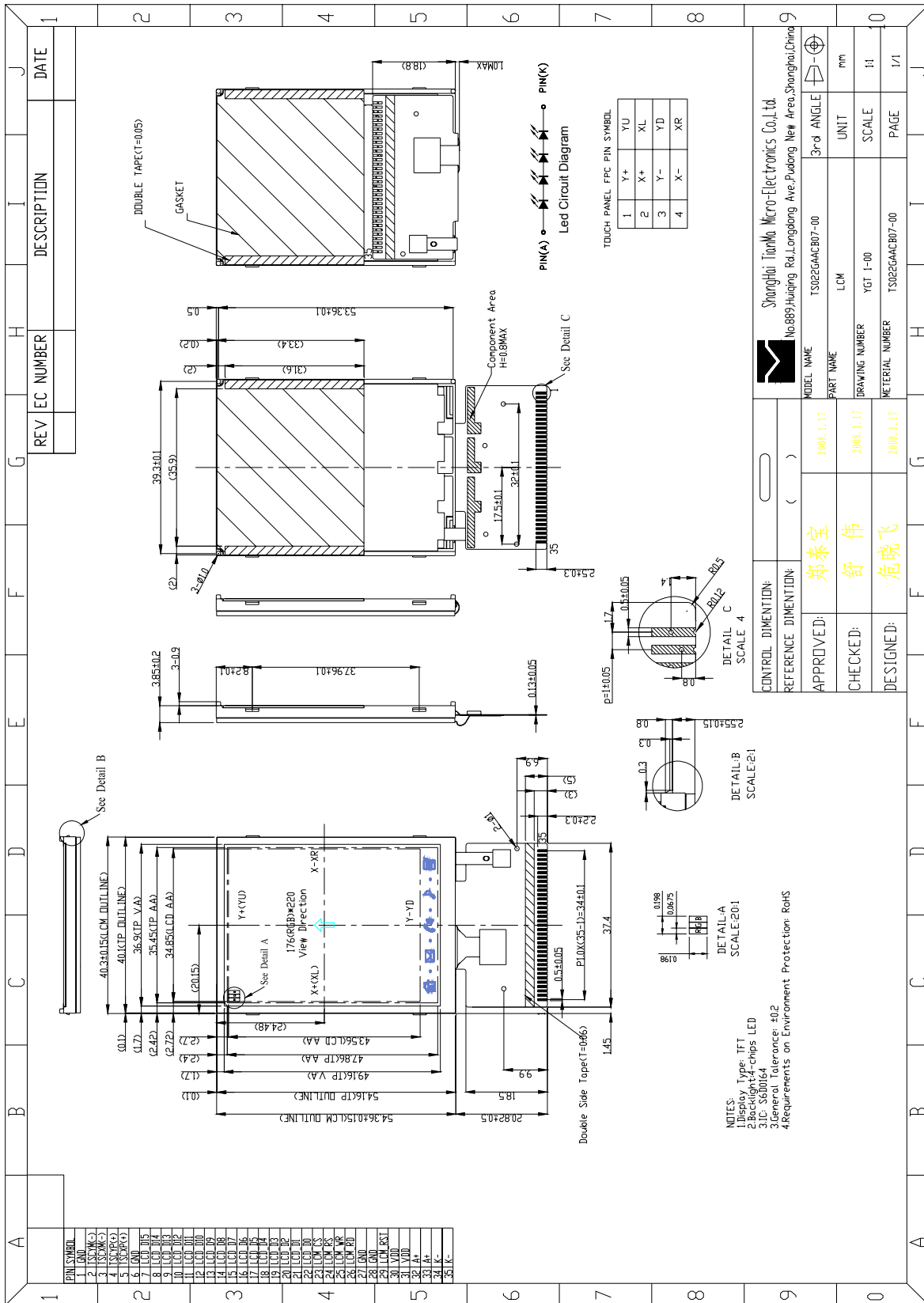
No	Test Item	Condition	Remarks
1	High Temperature (Operation)	Ts=+60℃, 240hrs	Note1 IEC60068-2-2,GB2423.2—89
2	High Temperature & High Humidity (Storage)	Ta=+60℃, 90% RH Max 240 hours	Note2 IEC60068-2-3, GB/T2423.3—2006
3	Low Temperature (Operation)	Ta=-20℃, 240hrs	IEC60068-2-1 GB2423.1—89
4	High Temperature (Storage)	Ta=+70℃, 240hrs	IEC60068-2-2, GB2423.2—89
5	Low Temperature (Storage)	Ta=-30℃, 240hrs	IEC60068-2-1 GB2423.1—89
6	Thermal Shock (Storage)	-30℃ 30 min~+70℃ 30 min, Change time:5min, 20 Cycles	Start with cold temperature, End with high temperature, IEC60068-2-14,GB2423.22—87
7	Electro Static Discharge (Storage)	C=150pF, R=330Ω , 5points/panel Air:±8KV, 5times; Contact:±4KV, 5 times; (Environment: 15℃ ~ 35℃, 30% ~ 60%, 86Kpa ~ 106Kpa)	IEC61000-4-2 GB/T17626.2—1998
8	Vibration (Storage)	Frequency range:10~55Hz, Stroke:1.5mm Sweep:10Hz~55Hz~10Hz 2 hours for each direction of X.Y.Z. (6 hours for total)	IEC60068-2-6 GB/T2423.10—1995
9	Shock (Storage)	60G 6ms, ±X,±Y,±Z 3times, for each direction	IEC60068-2-27 GB/T2423.5—1995
10	Package Drop Test	Height:80 cm, 1 corner, 3 edges, 6 surfaces	IEC60068-2-32 GB/T2423.8—1995

Note1: Ts is the temperature of panel's surface.

Note2: Ta is the ambient temperature of samples.



8 Mechanical drawing



CONTROL DIMENSION:	()	MODEL NAME	TS022GAACB07-00	3rd ANGLE	mm
REFERENCE DIMENSION:	()	PART NAME	LCM	UNIT	mm
APPROVED:	郑泰宝	DRAWING NUMBER	YGT 1-100	SCALE	1:1
CHECKED:	舒伟	MATERIAL NUMBER	TS022GAACB07-00	PAGE	1/1
DESIGNED:	危晓飞				

SHANGHAI TIANMA MICRO-ELECTRONICS CO., LTD.	No.889,Huigang Rd.,Longbang Ave.,Pudong New Area,Shanghai,China
---	---

The information contained herein is the exclusive property of SHANGHAI TIANMA MICRO-ELECTRONICS Corporation, and shall not be distributed, reproduced, or disclosed in whole or in part without prior written permission of SHANGHAI TIANMA MICRO-ELECTRONICS Corporation.



9 Packing drawing

TBD



10 Precautions for use of LCD modules

10.1 Handling Precautions

- 10.1.1 The display panel is made of glass. Do not subject it to a mechanical shock by dropping it from a high place, etc.
- 10.1.2 If the display panel is damaged and the liquid crystal substance inside it leaks out, be sure not to get any in your mouth, if the substance comes into contact with your skin or clothes, promptly wash it off using soap and water.
- 10.1.3 Do not apply excessive force to the display surface or the adjoining areas since this may cause the color tone to vary.
- 10.1.4 The polarizer covering the display surface of the LCD module is soft and easily scratched. Handle this polarizer carefully.
- 10.1.5 If the display surface is contaminated, breathe on the surface and gently wipe it with a soft dry cloth. If still not completely clear, moisten cloth with one of the following solvents:
 - Isopropyl alcohol、
 - Ethyl alcohol
- 10.1.6 Solvents other than those mentioned above may damage the polarizer. Especially, do not use the following:
 - Water
 - Ketone
 - Aromatic solvents
- 10.1.7 Do not attempt to disassemble the LCD Module.
- 10.1.8 If the logic circuit power is off, do not apply the input signals.
- 10.1.9 To prevent destruction of the elements by static electricity, be careful to maintain an optimum work environment.
- 10.2 Be sure to ground the body when handling the LCD Modules.
- 10.3 Tools required for assembly, such as soldering irons, must be properly ground.
- 10.4 To reduce the amount of static electricity generated, do not conduct assembly and other work under dry conditions.
- 10.5 The LCD Module is coated with a film to protect the display surface. Be care when peeling off this protective film since static electricity may be generated.
- 10.6 Storage precautions
 - 10.6.1 When storing the LCD modules, avoid exposure to direct sunlight or to the light of fluorescent lamps.
 - 10.6.2 The LCD modules should be stored under the storage temperature range. If the LCD modules will be stored for a long time, the recommend condition is:
- 10.7 Temperature : 0℃ ~ 40℃ Relatively humidity: ≤80%
 - 10.7.1 The LCD modules should be stored in the room without acid, alkali and harmful gas.
 - 10.7.2 Transportation Precautions
- 10.8 The LCD modules should be no falling and violent shocking during transportation, and also should avoid excessive press, water, damp and sunshine.