

SPECIFICATION

FOR LCD MODULE

MODEL NO:	TM82ABCWVBYA
CUSTOMER:	
CUSTOMER P/N.	
VERSION	V1.0
CUSTOMER APPROVED	

- Preliminary specification
- Final specification

PREPARED BY	CHECKED BY	VERIFIED BY QA DEPT.	APPROVED BY

Tianma Europe GmbH
Herrenalber Strasse 22; D-76199 Karlsruhe
Phone: +49-(0)721-89311-0; Fax +49-(0)721-89311-20
www.tianma.eu, info@tianma.eu

REVISION RECORD

Version	Page	Revision Items	Name	Date
0.0		First release	Chenjiafei	2006.09.16
0.1		Change some symbol	TP	2006.09.30
0.2		Change Part NO	YangYong	2007.07.31
1.0	6-8,10-15	Change IC	LiuHao	2008.01.10

TABLE OF CONTENTS

	Page
1. Description -----	3
2. Features -----	3
3. Absolute maximum ratings -----	4
4. Mechanical Characteristics-----	4
5. Circuit -----	6
6. Interface description -----	8
7. Instruction Code & Timing characteristics -----	9
8. Electrical Specifications-----	14
9. LED backlight characteristics-----	14
10. Optical Characteristics-----	15
11. Reliability-----	19
12. Quality level -----	21
13. Precautions for Use of LCD Modules -----	27
14. LCD Module Part Numbering System -----	29

1 Description

The TM82ABCWVBYA, Character LCM unit consists of 8-character×2-line dot-matrix (5×8 dot) LCD panel, LCD driver, controller LSI on a single PCB .Incorporating mask ROM-based character generator and display data RAM in the controller LSI, the unit can efficiently display the desired character under microprocessor control.

- ◆ Wide viewing direction.
- ◆ Wide operating temperature.
- ◆ Requirements on environmental protection: RoHS.

2 Features

Item	Contents
LCD type	STN
	Positive
LCD Duty	1/16
LCD Bias	1/5
Polarizer	Transflective
LCD background color	Yellow-Green
Segment color	Blue-Black
Backlighting	LED
Backlighting type	area
Backlighting color	Yellow-Green
Backlighting drive	60mA (4.2V typ.)
View direction	6:00 (wide view direction)
Operating temperature	-20℃ ~ +70℃
Storage temperature	-30℃ ~ +80℃
Controller	ST7066U-0A-B
Frame	SPCC (Black)
Technology	COB
Power supply	VDD=5.0V
Data Transfer	8 Bit parallel

Notes:

- Color tone can slightly change with temperature and driving voltage.
- Color tone will be changed by backlight.

3 Absolute maximum ratings

(Without LED backlighting, Ta=25°C)

Parameter	Symbol	Min	Max	Unit	Remark
Logic circuit supply voltage	V _{CC}	-0.3	+7.0	V	
LCD driving voltage	V _{LCD}	V _{CC} -10	V _{CC} +0.3	V	
Operating temperature range	Top	-20	+70	°C	No Condensation
Storage temperature range	Tst	-30	+80	°C	

Notes:

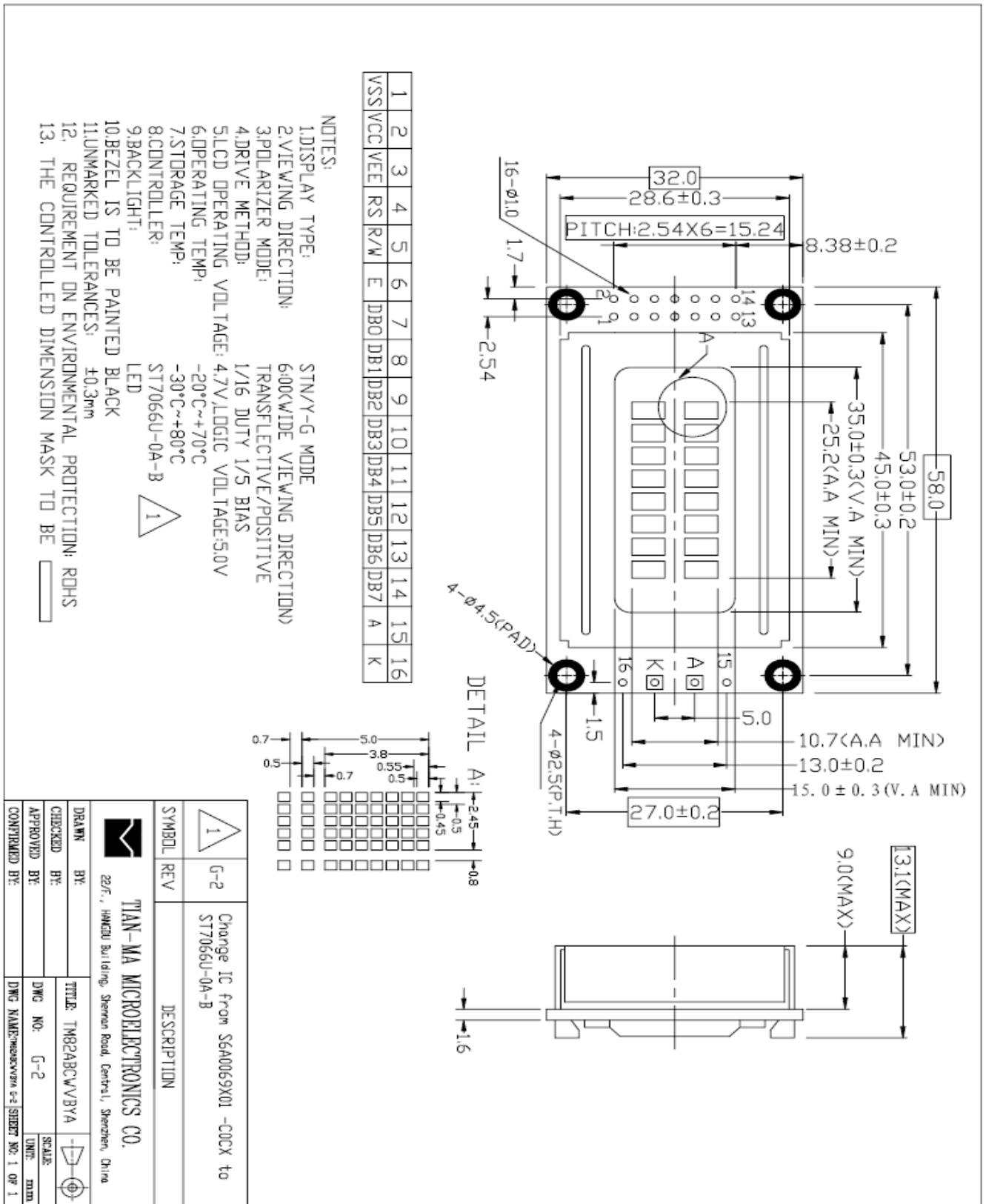
- LCD operating voltage $V_{LCD}=V_{CC}-V_{EE}$.
- If the module is above these absolute maximum ratings. It may become permanently damaged. Using the module within the following electrical characteristic conditions are also exceeded, the module will malfunction and cause poor reliability, and its service life will reduce.
- $V_{CC} > V_{SS}$ must be maintained.

4 Mechanical Characteristics

4.1 Mechanical features

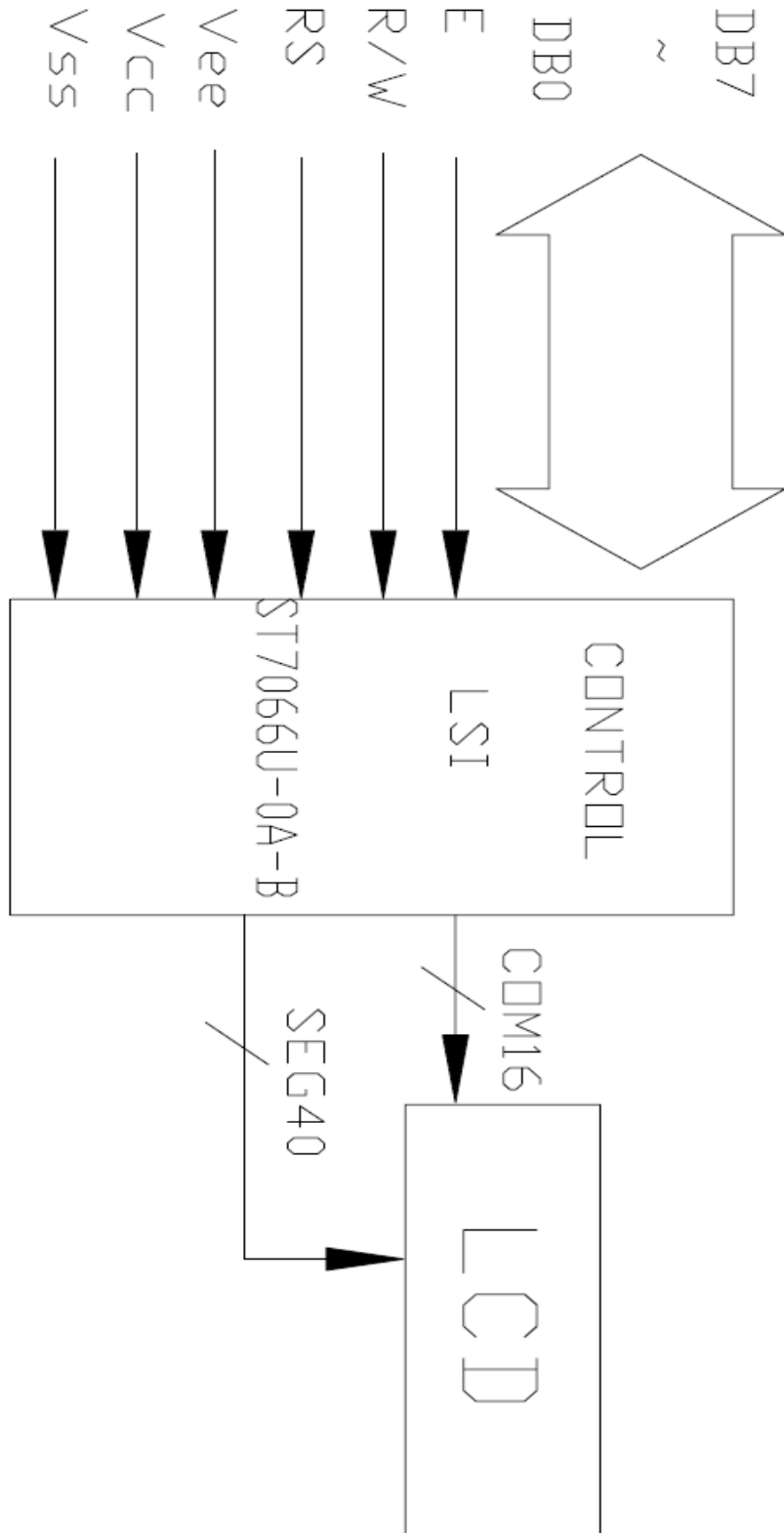
Parameter	Standard Value	Unit
Display type	Character module	--
Character size (W×H)	2.45×5.0	mm
Number of characters/dots (W×H)	8×2 (5×8)	--
View area (W×H)	35.00 × 15.00	mm
Active Area (W×H)	25.2 × 10.7	mm
Dot Size (W×H)	0.45 × 0.50	mm
Dot Pitch (W×H)	0.50 × 0.55	mm
Module size(W×H×D)	58.00 × 32.00 × 13.10 (MAX)	mm
Module total weight (approx.)	32	g
Module outline dimensions	Refer to page 5-“Outline drawing”	--

4.2 Mechanical drawing



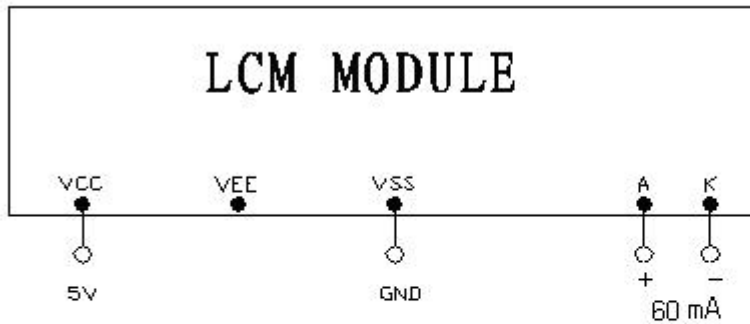
5 Circuit

5.1 Block Diagram

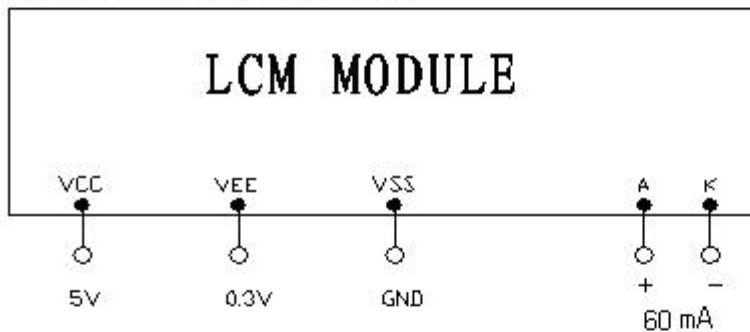


5.2 Recommend power supply circuit

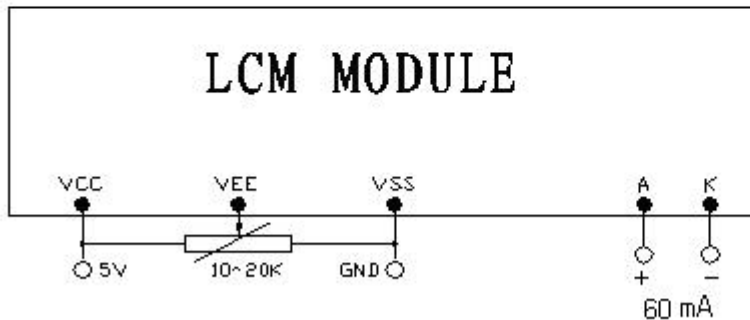
The first driving method



The second driving method



The third driving method



- You can control the contrast of module outside by add a VR (the third driving method, please remove R11 on PCB)
- You can use fixed current or 4.2VDC to drive the backlight

6 Interface Description

Pin No.	Symbol	Level	Description
1	Vss	0V	Ground
2	Vcc	5.0V	Power supply voltage for logic and LCD (+)
3	Vee	0.3V	Power supply voltage for LCD (-)
4	RS	H/L	Selects registers (H: Data L: Instruction)
5	R/W	H/L	Selects read or write
6	E	H/L	Data read/write enable signal
7	DB0	H/L	Data bit0
8	DB1	H/L	Data bit1
9	DB2	H/L	Data bit2
10	DB3	H/L	Data bit3
11	DB4	H/L	Data bit4
12	DB5	H/L	Data bit5
13	DB6	H/L	Data bit6
14	DB7	H/L	Data bit7
15	A	60mA	Power supply for LED (+)
16	K		Power supply for LED (-)

7 Instruction Code & Timing characteristics

7.1 COMMAND

The module TM82ABCWVBYA includes the controller-ST7066U. The table below lists the types of commands, including the code of each command. More details refer to ST7066U data sheet please.

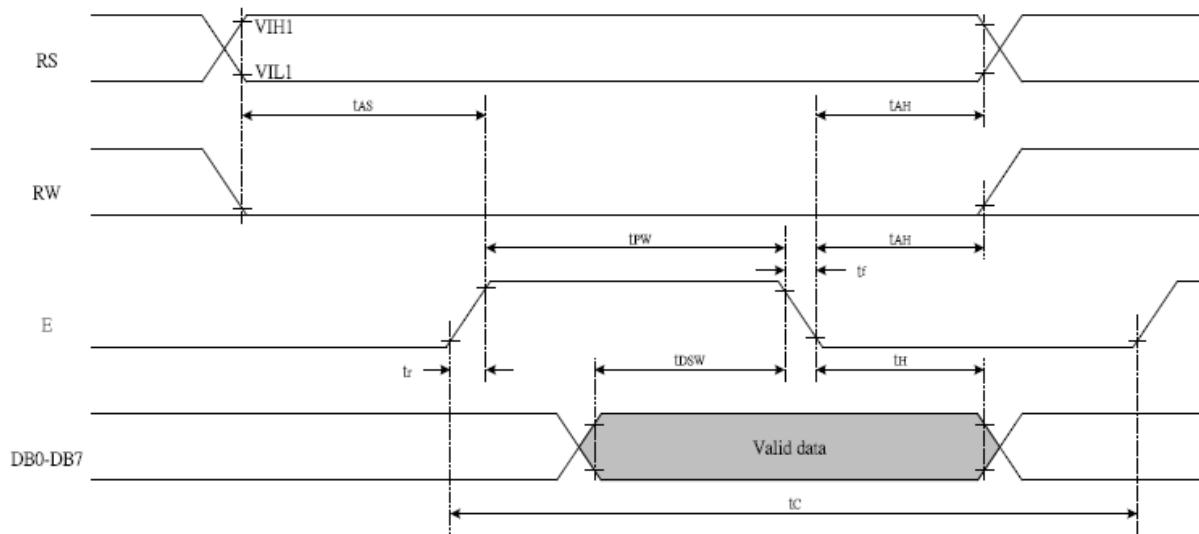
Instruction	Instruction Code										Description Instruction Code	Execution time (fsoc=270kHz)	
	R/S	R/W	DB7	DB6	DB5	DB4	DB3	DB2	DB1	DB0			
Clear Display	0	0	0	0	0	0	0	0	0	0	1	Write "20H" to DDRAM. and set DDRAM address to "00H" from AC.	1.52ms
Return Home	0	0	0	0	0	0	0	0	0	1	X	Set DDRAM address to "00H" from AC and return cursor to its original position if shifted. The contents of DDRAM are not changed.	1.52ms
Entry Mode Set	0	0	0	0	0	0	0	0	1	I/D	S	Sets cursor move direction and specifies display shift. These operations are performed during data write and read.	37us
Display ON/OFF Control	0	0	0	0	0	0	0	1	D	C	B	D=1:entire display on C=1:cursor on B=1:cursor position on	37us
Cursor or Display Shift	0	0	0	0	0	0	1	S/C	R/L	X	X	Set cursor moving and display shift control bit, and the direction, without changing DDRAM data.	37us
Function Set	0	0	0	0	0	1	DL	N	F	X	X	Set interface data length (DL : 4-bit/8-bit), numbers of display line (N : 1-line/2-line), display font type (F : 5 X 8 dots/ 5 X 11 dots)	37us
Set CGRAM Address	0	0	0	1	AC5	AC4	AC3	AC2	AC1	AC0		Set CGRAM address in address counter.	37us
Set DDRAM Address	0	0	1	AC6	AC5	AC4	AC3	AC2	AC1	AC0		Set DDRAM address in address counter.	37us
Read Busy Flag and Address	0	1	BF	AC6	AC5	AC4	AC3	AC2	AC1	AC0		Whether during internal operation or not can be known by reading BF. The contents of address counter can also be read.	0us
Write Data to RAM	1	0	D7	D6	D5	D4	D3	D2	D1	D0		Write data into internal RAM (DDRAM/CGRAM).	37ms
Read Data from RAM	1	1	D7	D6	D5	D4	D3	D2	D1	D0		Read data from internal RAM (DDRAM/CGRAM).	37ms

Note:

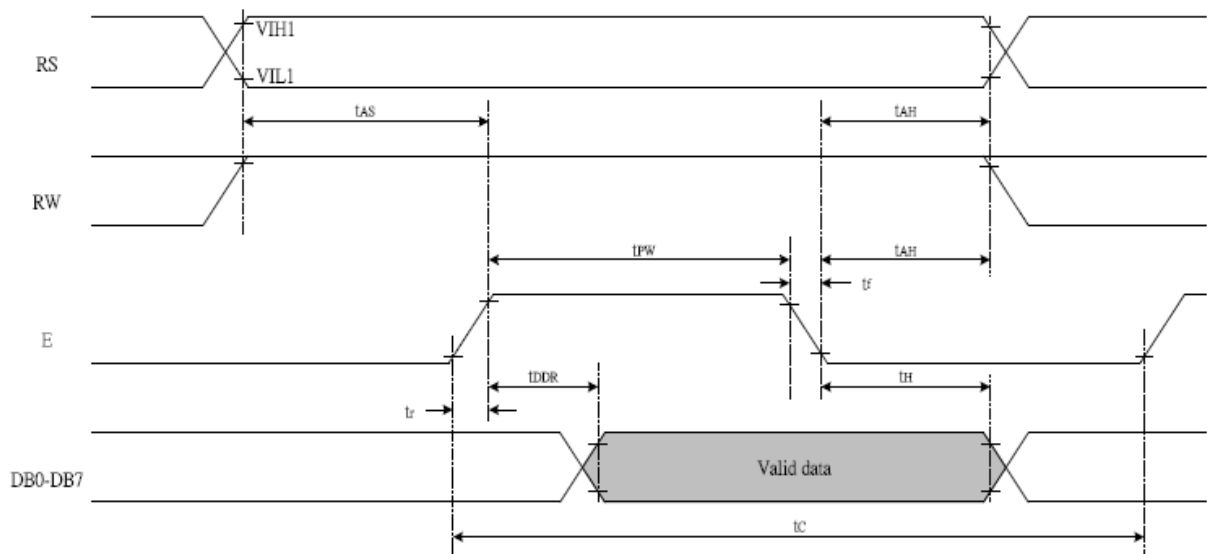
Be sure the ST7066U is not in the busy state ($BF = 0$) before sending an instruction from the MPU to the ST7066U. If an instruction is sent without checking the busy flag, the time between the first instruction and next instruction will take much longer than the instruction time itself. Refer to Instruction Table for the list of each instruction execution time.

7.2 Interface Timing characteristics

Note: Please refer to IC: ST7066U data sheet for more details.



Writing data from MPU to ST7066U



Reading data from ST7066U to MPU

$V_{CC}=5.0V, T_a=25^{\circ}C$

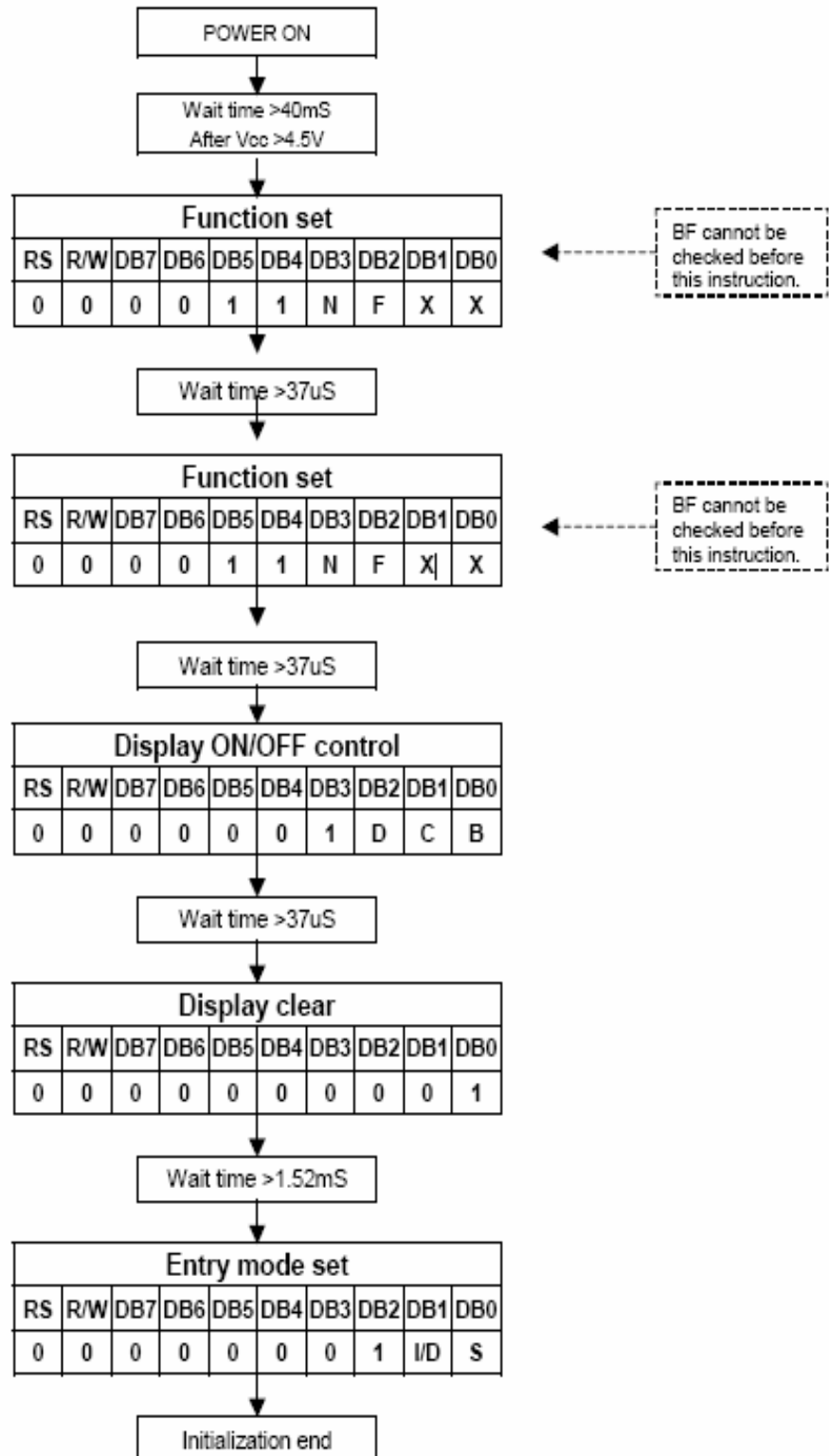
Symbol	Parameter		Min.	Typ.	Max.	Units
f_{CLKI}	internal Clock Frequency	R=91K	190	270	350	KHz
Write Mode (Writing data from MPU to ST7066U)						
T_c	Enable Cycle Time	$P_{in} E$	1200	--	--	ns
T_{PW}	Enable Pulse Width	$P_{in} E$	140	--	--	ns
T_{R,T_F}	Enable Rise/Fall Time	$P_{in} E$	--	--	25	ns
T_{AS}	Address Setup Time	$P_{ins}: RS, RW, E$	0	--	--	ns
T_{AH}	Address Hold Time	$P_{ins}: RS, RW, E$	10	--	--	ns
T_{DSW}	Data Setup Time	$P_{ins}: DB0-DB7$	40	--	--	ns
T_H	Data Hold Time	$P_{ins}: DB0-DB7$	10	--	--	ns
Read Mode (Reading data from ST7066U to MPU)						
T_c	Enable Cycle Time	$P_{in} E$	1200	--	--	ns
T_{PW}	Enable Pulse Width	$P_{in} E$	140	--	--	ns
T_{R,T_F}	Enable Rise/Fall Time	$P_{in} E$	--	--	25	ns
T_{AS}	Address Setup Time	$P_{ins}: RS, RW, E$	0	--	--	ns
T_{AH}	Address Hold Time	$P_{ins}: RS, RW, E$	10	--	--	ns
T_{DDR}	Data Setup Time	$P_{ins}: DB0-DB7$	--	--	100	ns
T_H	Data Hold Time	$P_{ins}: DB0-DB7$	10	--	--	ns

7.3 character generator code map (Please refer to ST7066U datasheet for other character code map)

b7-b4 b3-b0	0000	0001	0010	0011	0100	0101	0110	0111	1000	1001	1010	1011	1100	1101	1110	1111
0000	CG RAM (1)			0	1	P	^	P				-	9	3	0	P
0001	(2)	!	1	A	Q	a	9			.	7	7	6	3	9	
0010	(3)	"	2	B	R	b	r			r	i	u	x	8	0	
0011	(4)	#	3	C	S	c	s			j	o	t	e	e	e	
0100	(5)	\$	4	D	T	d	t			\	i	t	t	u	o	
0101	(6)	%	5	E	U	e	u			.	o	o	i	o	o	
0110	(7)	&	6	F	V	f	v			o	o	o	o	o	o	
0111	(8)	'	7	G	W	g	w			o	o	o	o	o	o	
1000	(1)	(8	H	X	h	x			i	o	o	u	r	o	
1001	(2))	9	I	Y	i	y			o	o	o	o	o	o	
1010	(3)	*	:	J	Z	j	z			e	o	o	o	o	o	
1011	(4)	+	;	K	L	k	l			o	o	o	o	o	o	
1100	(5)	,	<	L	;	l	l			o	o	o	o	o	o	
1101	(6)	-	=	N	I	n	>			o	o	o	o	o	o	
1110	(7)	.	>	N	^	n	~			o	o	o	o	o	o	
1111	(8)	/	?	O	_	o	~			o	o	o	o	o	o	

7.4 Initialization flow map

(For 8-Bit Interface $F_{OSC}= 270\text{ kHz}$)

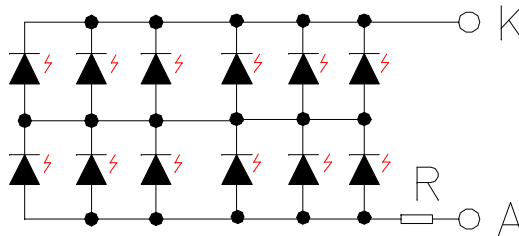


8 Electrical characteristics

 $V_{CC}=4.5V-5.5V, \quad T_a=25^\circ C$

Item	Symbol	Condition	MIN	TYP	MAX	UNIT	
Logic circuit supply voltage	V_{CC}	--	4.8	5.0	5.2	V	
LCD driving voltage	V_{LCD}		4.4	4.7	5.0		
Input voltage for logic circuit	"H"level	$V_{CC}=5.0V$	$V_{CC}-1.0$	--	V_{CC}		
	"L"level		--	--	1.0		
Output voltage for logic circuit	"H"level		3.9	--	V_{CC}		
	"L"level		--	--	0.4		
Logic power supply current (Without backlighting)	I_{CC}			--	--	2.0	mA
Used driver IC	ST7066U OF SITRONIX						

9 LED backlight characteristics


 $T_a=25^\circ C$

Item	Symbol	Condition	MIN.	TYP.	MAX.	Unit
Forward voltage	V_f	$I_f=60mA$	4.0	4.2	4.4	V
Peak Wave Length	λ_p		569	572	575	nm
Luminous intensity*	B_p		150	200	--	cd/m ²
Luminous Uniformity*	ΔB_p		70	--	--	%

Note:

- Measured at the bare LED backlight unit.
- If the backlight is above these maximum ratings for long time, the service life of the LED backlight will reduce or it will cause poor reliability.

10 Optical Characteristics

10.1 Optical Characteristics

Parameter		Symbol	Ratings			Unit	Measuring Temp.	Reference
			Min	Type	Max.			
Operating voltage		V_o	4.5	4.7	4.9	V	25°C	(Note10-1)
Frame frequency		f	--	70	--	Hz		(Note10-2)
Contrast ratio		$Cr(\theta=20^\circ, \Phi=90^\circ \text{ or } 270^\circ)$	--	9	--	--	25°C	(Note10-3)
Response time	Turn on	t_{on}	--	--	250	ms	25°C	(Note10-4)
	Turn off	t_{off}	--	--	250	ms	25°C	
Viewing angle (Cr≥2)	Up-down	θ_1 ($\Phi=90^\circ \text{ or } 270^\circ$)	--	-50~50	--	deg	25°C	(Note10-5)
	Left-right	θ_2 ($\Phi=0^\circ \text{ or } 180^\circ$)	--	-35~40	--	deg	25°C	

(Note10-1) The maximum and minimum ratings don't mean the LCD works well in the whole range of V_o . V_o must be adjusted to optimize the viewing angle and contrast. Refer to definition of drive voltage, refer to 10.2.

(Note10-2) The frequency shouldn't be too low to avoid flicker. Refer to definition of drive voltage, refer to 10.2.

(Note10-3) Refer to 10.2/10.3/10.4/10.5.

(Note10-4) The selected state is dark and non-selected state is white(or bright) with positive type, reversely the selected state is white (or bright) and non-selected state is dark with negative type. Refer to 10.6 definition of response time.

(Note10-5) Generally the viewing direction is 6:00 or 12:00, sometimes 3:00 or 9:00. The range of left to right and up to down based on $Cr=2$ show the viewing angle. Viewing angle range isn't the range of defects inspection. Refer to 10.4.

10.2 Definition of drive voltage

(1) Definition of drive voltage and waveform

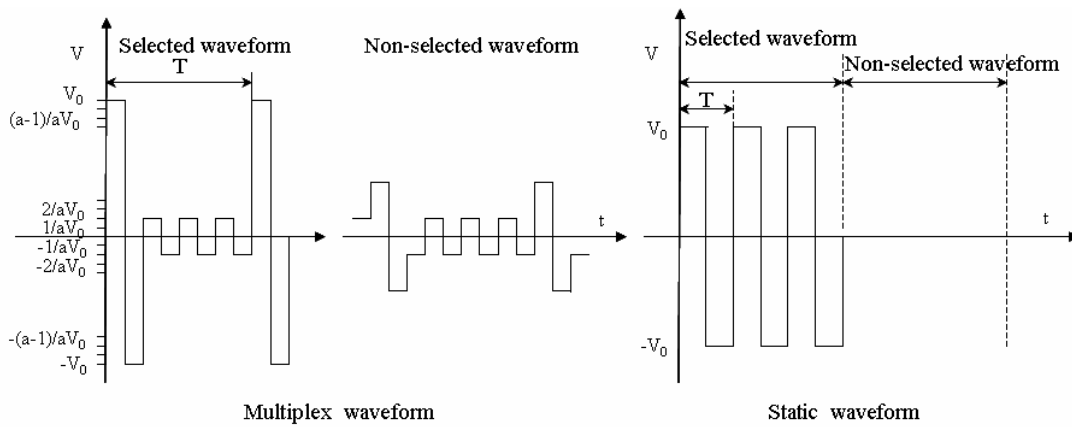


Fig.1: Definition of drive voltage and waveform

Operating voltage: V_0

Frame frequency: $f=1/T$

Duty: $1/N$

Bias: $1/a$

(2) Operating voltage: V_0

TIANMA can evaluate whether the LCD can be redesigned to obtain customer preferable performance if customer's LCD drive voltage isn't adjustable.

10.3 Optical characteristics measurement equipment and method

The setup and test method are showed in fig.2. Test methods are different according to different illumination mode.

Transmissive mode: light resource is placed at the back of LCD.

Reflective mode and transfective mode: light resource is placed at the front side of LCD.

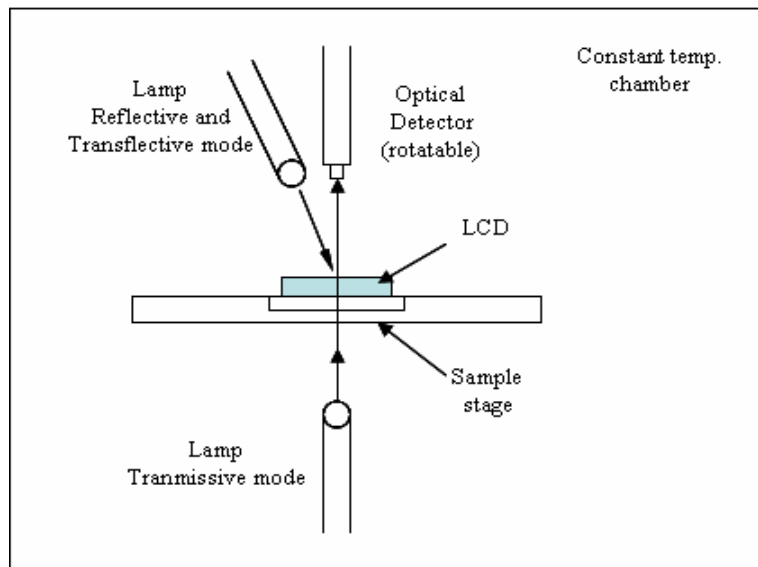


Fig.2: Optical characteristics measurement equipment

The chamber temperature, light resource and driving signal should be stable before testing. If test the characteristics under high or low temperature, the test system should be stable for more than 10 minutes before testing.

10.4 Definition of viewing direction

Refer to the graph below marked by θ and ϕ

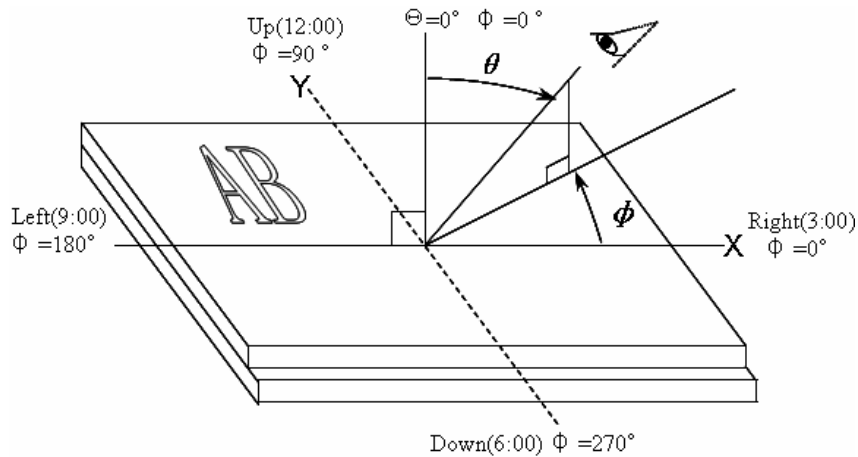


Fig.3: Definition of viewing direction

10.5 Definition of contrast ratio

Contrast ratio can be calculated by the formula (10-1) below for positive type. If the LCD is negative type, $Cr(\theta, \phi)$ is equal to luminance (θ, ϕ , non-selected state) divided by luminance (θ, ϕ , selected state). Note3-4 shows the relationship between selected state, non-selected state and bright state, dark state.

$$Cr(\theta, \phi) = \frac{L_2}{L_1} = \frac{\text{Luminance}(\theta, \phi) \text{ (Bright state)}}{\text{Luminance}(\theta, \phi) \text{ (Dark state)}} \quad (10-1)$$

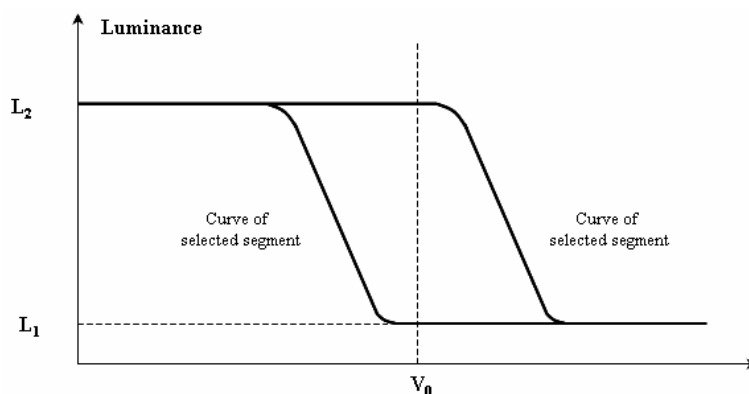


Fig.4: Electro-optical characteristic (EOC) graph (positive type)

10.6 Definition of response time

Turn on time (rise time): $t_{on} = t_d + t_r$ (from non-selected state to selected state)

Turn off time (fall time): $t_{off} = t_D + t_R$ (from selected state to non-selected state)

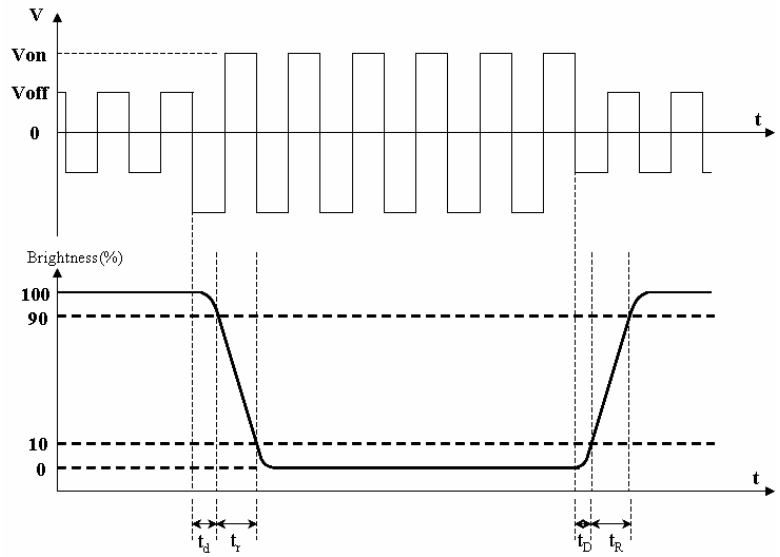


Fig.5: Definition of response time (positive type)

10.7 Definition of viewing angle

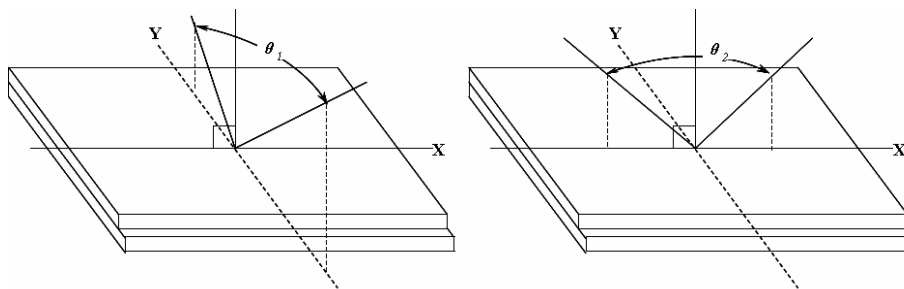


Fig 6: Definition of viewing angle

θ_1 ——range of viewing angle from up to down

θ_2 ——range of viewing angle from left to right.

11 Reliability

11.1 Content of Reliability Test

 $T_a=25^{\circ}\text{C}$

No	Test Item	Test condition	Criterion
1	High Temperature Storage	80°C±2°C 240H Restore 2H at 25°C Power off	After testing, cosmetic and electrical defects should not happen.
2	Low Temperature Storage	-30°C±2°C 240H Restore 2H at 25°C Power off	
3	High Temperature Operation	70°C±2°C 240H Restore 2H at 25°C Power on	
4	Low Temperature Operation	-20°C±2°C 240H Restore 4H at 25°C Power on	
5	High Temperature & Humidity Operation	40°C±2°C 90%RH 240H Power on	
6	Temperature Cycle	-30°C → 25°C → 80°C 30min 5min 30min after 10cycles, Restore 2H at 25°C Power off	
7	Vibration Test	10Hz~150Hz, 100m/s ² , 120min	
8	Shock Test	Half-sine wave, 300m/s ² , 11ms	
9	Drop Test(package state)	800mm, concrete floor, 1corner, 3edges, 6 sides each time	1.After testing, cosmetic and electrical defects should not happen. 2.The product should remain at initial place 3.Product uncovered or package broken is not permitted.

Notes:

- Each test item applies for a test sample only once, The test sample can not be used again in any other test item.
- The test sample is inspected after 2 hours or more storing at room temperature and room humidity after each test item is finished.
- The criteria refer to 11.2.

11.2 Inspection of criteria

Remark No.	Content
1	Functional test is OK. Missing Segment, shorts, unclear segment, non-display, display abnormally, liquid crystal leak are unallowable.
2	After testing, cosmetic defects should not happen, no low temperature bubbles, seal loose and fall, frame rainbow, ACF bubble growing are unallowable in the appearance test.
3	Total current consumption should not be over 10% of initial value.
4	After tests being executed, Contrast must be larger than 70% of its initial value prior to the tests.
5	No glass crack, chipped glass, end seal loose frame crack and so on.
6	No structure loose and fall.

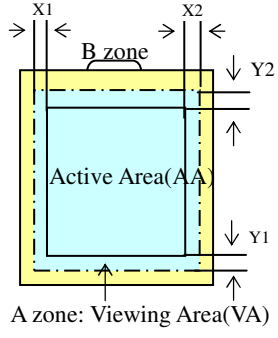
12 Quality level

12.1 Classification of defects

Major defects (MA): A major defect refers to a defect that may substantially degrade usability for product applications, including all functional defects (such as no display, abnormal display, open or missing segment, short circuit, missing component), outline dimension beyond the drawing, progressive defects and those affecting reliability.

Minor defects (MI): A minor defect refers to a defect which is not considered to be able to substantially degrade the product application or a defect that deviates from existing standards almost unrelated to the effective use of the product or its operation, such as black spot, white spot, bright spot, pinhole, black line, white line, contrast variation, glass defect, polarizer defect, etc.

12.2 Definition of inspection range

<p>For LCD defects, dividing two areas to make a judgment (according figure 1).</p> <p>A zone : Inside Viewing area B zone : Outside Viewing area</p> <p>X1(A.A~V.A): 2mm X2(A.A~V.A): 2mm Y1(A.A~V.A): 2mm Y2(A.A~V.A): 2mm</p>	 <p>Figure 1</p>
--	---

12.3 Inspection items and general notes

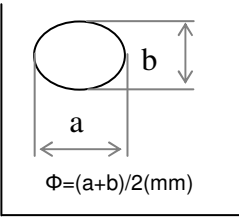
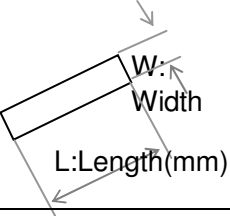
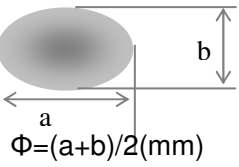
General notes	①Should any defects which are not specified in this standard happen, additional standard shall be determined by mutual agreement between customer and TIANMA. ②Viewing area should be the area which TIANMA guarantees. ③Limit sample should be prior to this Inspection standard. ④Viewing judgment should be under static pattern. ⑤Inspection conditions Inspection distance: 250 mm (from the sample) Temperature : 25±5°C Inspection angle: 45 degrees in 6 o'clock direction (all defects in viewing area should be inspected from this direction)	
Inspection items		
	Pinhole, Bright spot, Black spot, White spot, Black line, White Line, Foreign particle, Bubble	The color of a small area is different from the remainder. The phenomenon doesn't change with voltage
	Contrast variation	The color of a small area is different from the remainder. The phenomenon changes with voltage
	Polarizer defect	Scratch, Dirt, Particle, Bubble on polarizer or between polarizer and glass
	Functional defect	no display, display abnormally, open or missing segment, short circuit, False viewing direction
	Glass defect	Glass crack, Shaved corner of glass, Surplus glass
	Segment defect	Pin holes or cracks in segment, Transformation of segment
	PCB defect	Components assembly defect

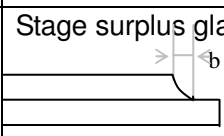
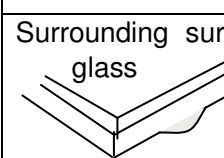
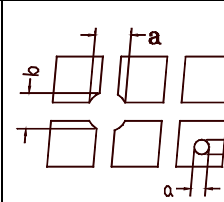
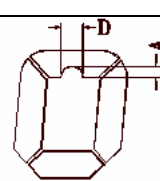
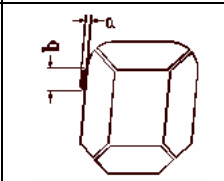
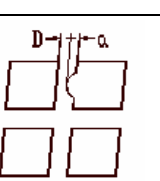
12.4 Outgoing Inspection level

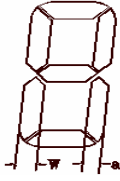
Outgoing Inspection standard	Inspection conditions	Inspection				
		Min.	Max.	Unit	IL	AQL
Major Defects	See 13.3 general notes	See 13.5			II	0.65
Minor Defects	See 13.3 general notes	See 13.5			II	1.5

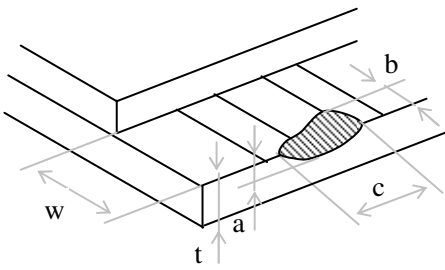
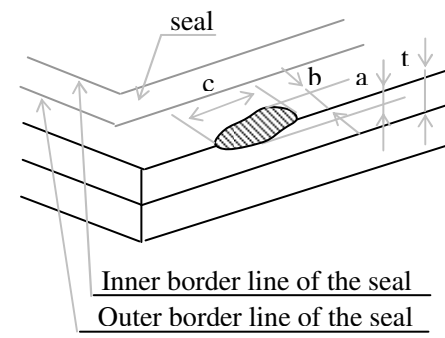
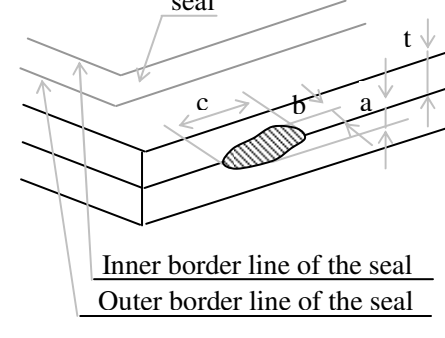
Note: Sampling standard conforms to GB2828

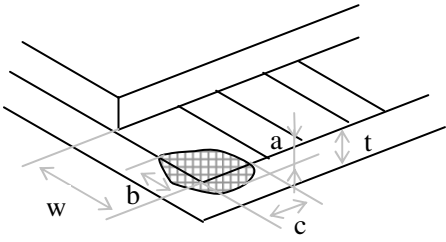
12.5 Inspection Items and Criteria

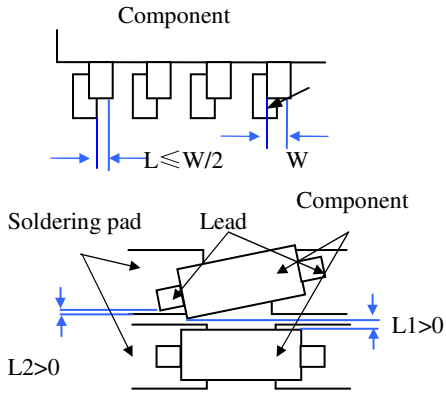
Inspection items			Judgment standard			
			Category		Acceptable number	
					A zone	B zone
1	Black spot, white spot, Bright Spot, Pinhole, Foreign Particle, Particle in or on glass, Scratch on glass		A	$\Phi \leq 0.10$	Neglected	
			B	$0.10 < \Phi \leq 0.20$	3	
			C	$0.20 < \Phi$	0	
2	Black line, White line, Particle Between Polarizer and glass, Scratch on glass		A	$W \leq 0.02$	Neglected	
			B	$0.02 < W \leq 0.05$ $L \leq 3.0$	3	
			C	$W > 0.05$ or $L > 3.0$	0	
3	Contrast variation		A	$\Phi \leq 0.2$	Neglected	
			B	$0.2 < \Phi \leq 0.3$	2	
			C	$0.3 < \Phi \leq 0.4$	1	
			D	$0.4 < \Phi$	0	
			Total defective point(B,C)		3	
4	Bubble inside cell		any size	none	none	
5	Polarizer defect (if Polarizer is used)	Scratch, damage on polarizer, Particle on polarizer or between polarizer and glass.	Refer to item 1 and item 2.			
		Bubble, dent and convex	A	$\Phi \leq 0.3$	Neglected	Neglected
B	$0.3 < \Phi \leq 0.7$	2				

			C	0.7< Φ	0	
6	Surplus glass	Stage surplus glass 	$b \leq 0.3\text{mm}$			
		Surrounding surplus glass 	Should not influence outline dimension and assembling.			
7	Open segment or open common		Not permitted			
8	Short circuit		Not permitted			
9	False viewing direction		Not permitted			
10	Contrast ratio uneven		According to the limit specimen			
11	Crosstalk		According to the limit specimen			
12	Black /White spot(display)		Refer to item 1			
13	Black /White line(display)		Refer to item 2			
14	Pin holes and cracks in segment		not counted	Max.3 dots allowed		Max.3 dots allowed
			$x < 0.1\text{mm}$	$0.1\text{mm} \leq x \leq 0.2\text{mm}$		
			$x = (a+b)/2$			
			not counted	Max.2 dots allowed each segment		
$A < 0.1\text{mm}$	$0.1\text{mm} \leq A \leq 0.2\text{mm}$ $D < 0.25\text{mm}$					
15	Transformation of segment		not counted	Max.1 defect allowed each segment		Max.3 defects allowed
			$x < 0.1\text{mm}$	$0.1\text{mm} \leq x \leq 0.2\text{mm}$		
			$x = (a+b)/2$			
			not counted	Max.1 defect allowed each segment		
$a < 0.1\text{mm}$	$0.1\text{mm} \leq a \leq 0.2\text{mm}$ $D > 0$					

			$0.8W \leq a \leq 1.2W$ a =measured value of width W =nominal value of width	Max.2 defects allowed
--	--	---	--	-----------------------

Inspection items		Judgment standard		Acceptable number	
		Category (application: B zone)			
16	Glass defect crack	①The front of lead terminals 	A	$a \leq t, b \leq 1/5W, c \leq 3mm$	Max.3 defects allowed
			B	Crack at two sides of lead terminals should not cover patterns and alignment mark	
		②Surrounding crack—non-contact side 		$b < \text{Inner borderline of the seal}$	
	③Surrounding crack—contact side 		$b < \text{Outer borderline of the seal}$		

	④Corner		A	$a \leq t, b \leq 3.0, c \leq 3.0$	
			B	Glass crack should not cover patterns u and alignment mark and patterns.	

Inspection items		Judgment standard	
		Category (application: B zone)	
17	PCB defect	<p>Component soldering: No cold soldering、short、open circuit、burr、tin ball The flat encapsulation component position deviation must be less than 1/3 width of the pin (Pic.1); the sheet component deviation: Pin deviates from the pad and contact with the near components is not permitted (Pic.2)</p>	
		<p>lead defect: The lead lack must be less than 1/3 of its width; The lead burr must be less than 1/3 of the seam; Impurities connect with the near leads is not permitted</p>	

	<p>Connector soldering: Soldering tin is at contact position of the plug and socket is not permitted No foundation is scald Serious cave distortion on plug and socket contact pin is not permitted</p>	
	<p>Glue on root of the speaker receiver and motor lead: The insulative coat of the lead must join into the PCB; the protected glue must envelop to the insulative coat.</p>	

13 Precautions for Use of LCD Modules

13.1 Handling Precautions

- 13.1.1 The display panel is made of glass. Do not subject it to a mechanical shock by dropping it from a high place, etc.
- 13.1.2 Liquid in LCD is hazardous substance, if the display panel is damaged and the liquid crystal substance inside it leaks out, be sure not to get any in your mouth, if the substance comes into contact with your skin or clothes, thoroughly and promptly wash it off using soap and water.
- 13.1.3 Do not apply excessive force to the display surface or the adjoining areas since this may cause the color tone to vary.
- 13.1.4 Don't touch, push or rub the exposed polarizer covering the display surface of the LCD module with anything harder than an HB pencil lead, the polarizer is soft and easily scratched, handle it carefully.
- 13.1.5 Don't put or attach anything on the display area to avoid leaving any marks on.
- 13.1.6 If the display surface is contaminated or becomes dusty, breathe on the surface and gently wipe it with a soft dry cloth. do not scrub hard to avoid damage the surface. If still not completely clear, moisten cloth with one of the following solvents:
- Isopropyl alcohol
 - Ethyl alcohol
- Solvents other than those mentioned above may damage the polarizer. Especially, do not use the following:
- Water
 - Ketone
 - Aromatic solvents
- 13.1.7 Do not attempt to disassemble the LCD Module.
- 13.1.8 If the logic circuit power is off, do not apply the input signals.
- 13.1.9 Avoid using the same display pattern long time (continuous ON segment). Software must be prepared so that the pattern will be changed
- 13.1.10 To prevent destruction of the elements by static electricity, be careful to maintain an optimum work environment.
- a. Be sure to ground the body and electric appliances when handling the LCD Modules. It is preferable to use conductive mat on table and wear cotton clothes or conductive processed fiber. Synthetic fiber is not recommended.
 - b. Tools required for assembly, such as soldering irons, must be properly ground.
 - c. To reduce the amount of static electricity generated, do not conduct assembly and other work under dry conditions.
 - d. The LCD Module is coated with a film to protect the display surface. Be careful and slow when peeling off this protective film since static electricity may be generated. It is recommended to use ionic fan or machine when operating. It is recommended to remove the protection foil slowly (> 3 sec.).
 - e. It is preferable to wear gloves etc, to avoid damaging the LCD. Please do not touch electrodes with bare hands or avoid any other contamination.

13.2 Storage precautions

13.2.1 When storing the LCD modules, avoid exposure to direct sunlight or to the light of fluorescent lamps.

13.2.2 The LCD modules should be stored under the storage temperature range. If the LCD modules will be stored for a long time, the recommend condition is:

Temperature : 5°C ~ 40°C

Relatively humidity: ≤80%

13.2.3 The LCD modules should be stored in a clean environment or room, free from acid, alkali and harmful gas.

13.2.4 Store the module in anti-static electricity container and without any physical load.

13.3 Transportation precautions

The LCD modules should be no falling and violent shocking during transportation, and also should avoid excessive press, water, damp and sunshine.

13.4 Soldering

13.4.1 Use the high quality solders, only solder the I/O terminals.

13.4.2 No higher than 280°C and time less than 3-4 second during soldering.

13.4.3 Rewiring: no more than 3 times.

13.4.4 When you remove connector or cable soldered to I/O terminals, please confirm that solder is fully melted. If you remove by force, electrodes at I/O terminals may be damaged (or stripped off). It is recommended to use solder suction machine.

14. LCD Module Part Numbering System

TM	82	A	B	C	W	V	B	Y	A
①	②	③	④	⑤	⑥	⑦	⑧	⑨	⑩

NO.	Explanation	
①	TIANMA module indicating	
②	Module type: 3 DIGITS, 8-Character × 2-Line,	
③	TIANMA module series (A,B,C,D...)	
④	LCD type	
	B	Positive, Yellow-Green mode, STN
⑤	Backlight type	
	C	Transflective, LED
⑥	Temperature range	
	W	Wide temperature
⑦	Viewing Angle	
	V	Wide viewing direction
⑧	Technology	
	B	COB (including SMT)
⑨	The color of backlight	
	Y	Yellow-green
⑩	Function choice	
	A	Basic function