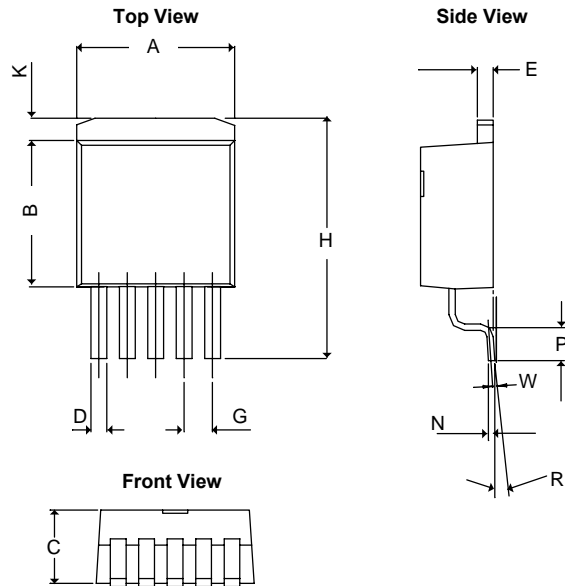




TO-263-5



| SYMBOLS | MILLIMETERS | | INCHES | |
|---------|-------------|--------|-----------|-------|
| | MIN | MAX | MIN | MAX |
| A | 10.050 | 10.668 | 0.396 | 0.420 |
| B | 8.280 | 9.169 | 0.326 | 0.361 |
| C | 4.310 | 4.670 | 0.170 | 0.184 |
| D | 0.660 | 0.910 | 0.026 | 0.036 |
| E | 1.140 | 1.400 | 0.045 | 0.055 |
| G | 1.70REF | | 0.067 REF | |
| H | 14.605 | 15.875 | 0.575 | 0.625 |
| K | 1.143 | 1.680 | 0.045 | 0.066 |
| N | 0.330 | 0.580 | 0.013 | 0.023 |
| P | 2.280 | 2.800 | 0.090 | 0.110 |
| R | 0° | 8° | 0° | 8° |
| W | 0.25REF | | 0.01REF | |