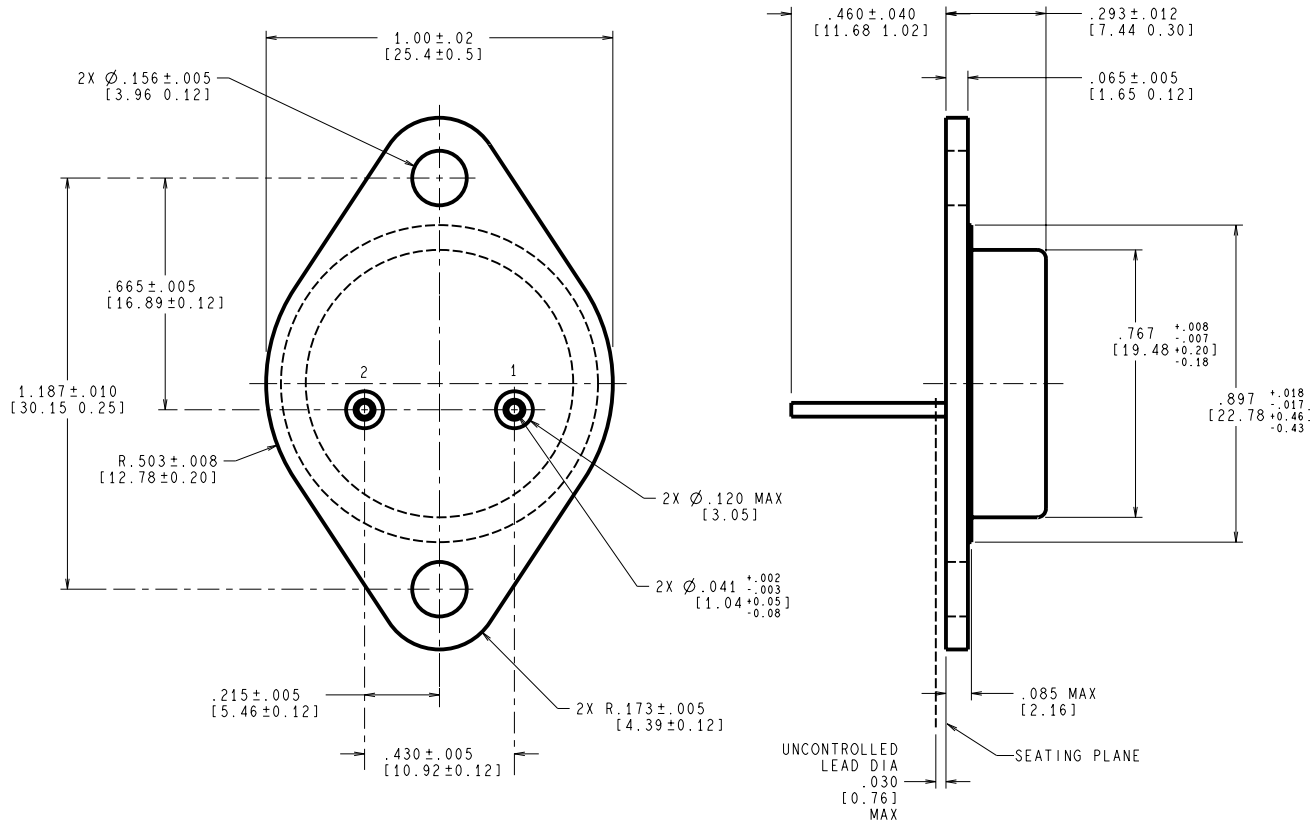


REVISIONS				
LTR	DESCRIPTION	E.C.N.	DATE	BY/APP'D
E	REDRAW ON PRO/E; UPDATE MIL/AERO STAMP; NOTE 2: MIL-PRF-38535 WAS MIL-I-38535.	11155	09/15/95	MS/



CONTROLLING DIMENSION IS INCH  
VALUES IN [ ] ARE MILLIMETERS

- NOTES: UNLESS OTHERWISE SPECIFIED
1. STANDARD HEADER TYPE SOLID BASE.
  2. STANDARD LEAD FINISH:  
PER MIL-PRF-38535 TYPE X OR EQUIVALENT.
  3. LEAD NOT BENT GREATER THAN 15°.
  4. DIMENSIONS BASED ON JEDEC STANDARD TO-3,  
PUBLICATION 95, PAGE 98.

MIL-PRF-38535  
CONFIGURATION CONTROL

<b>APPROVALS</b>		<b>DATE</b>	 2900 Semiconductor dr., Santa Clara, CA 95052-8090		
DRAWN	MARTA SUCHY	09/15/95			
DFTG. CHK.					
ENGR. CHK.					
 INCH [MM]			<b>METAL CAN, TO-3, 2 LEAD, LOW PROFILE</b>		
N/A	C	MKT-K02C	E	DO NOT SCALE DRAWING SHEET 1 of 1	