

GENERAL SPECIFICATION

Item	Content
Number of Character	16x2
Module Size	59.0(W)x29.3(H)x5.5(D)mm Max
Viewing Area	52.0(W)x15.0(H)mm
Character Size	2.45(W)x4.67(H)mm
Dot Size/Dot Pitch	0.45(W)x0.54(H)mm/0.50(W)x0.59(H)mm
Backlight	LED
Options	Gray STN/Yellow STN/Extended Temperature/Bottom Viewing

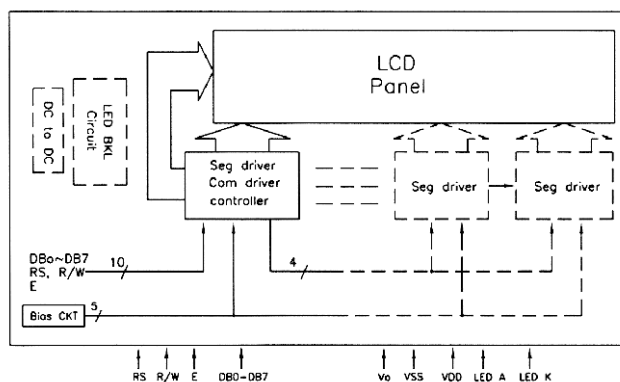
INTERFACE PIN ASSIGNMENT

Pin No.	Pin Out	Function Description
1	VLED(-)	Low to turn on the backlight, High or floating to turn off the backlight
2	V _{SS}	Ground
3	V _{DD}	Logic Circuit Power Supply
4	V _O	Power Supply for LCD Panel
5	RS	Data/Instruction Register Select
6	R/W	Read/Write Select
7	E	Enable Signal
8-15	DB0-DB7	3-State I/O Data Bus

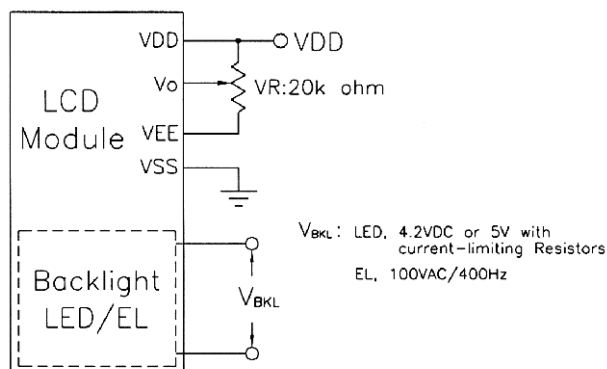
ELECTRICAL CHARACTERISTICS

Item	Symbol	Condition	Min.	Typ.	Max.	Unit	Note
Power Supply for Logic	V _{DD} -V _{SS}	-	2.7	4.5	5.5	Volt	-
Input Voltage	V _{IL}	L level	V _{SS}	0.2V _{DD}	-	Volt	-
	V _{IH}	H level	0.8V _{DD}	V _{DD}	-	Volt	-
LCM Recommend LCD Module Driving Voltage	V _{DD} =5V	Ta=0°C	-	-	-	Volt	-
		Ta=25°C	3.6	3.85	4.05		
		Ta=50°C	-	-	-		
Power Supply Current for LCM	I _{DD} (B/L OFF)	V _{DD} =5.0V V _{DD} -V _O =3.85V	-	1.5	2.0	mA	-
	I _{LED}	V _{LED} =5V Ta=25°C	-	45	60		

BLOCK DIAGRAM



POWER SUPPLY



MECHANICAL

