



ITM-640480K2FTC

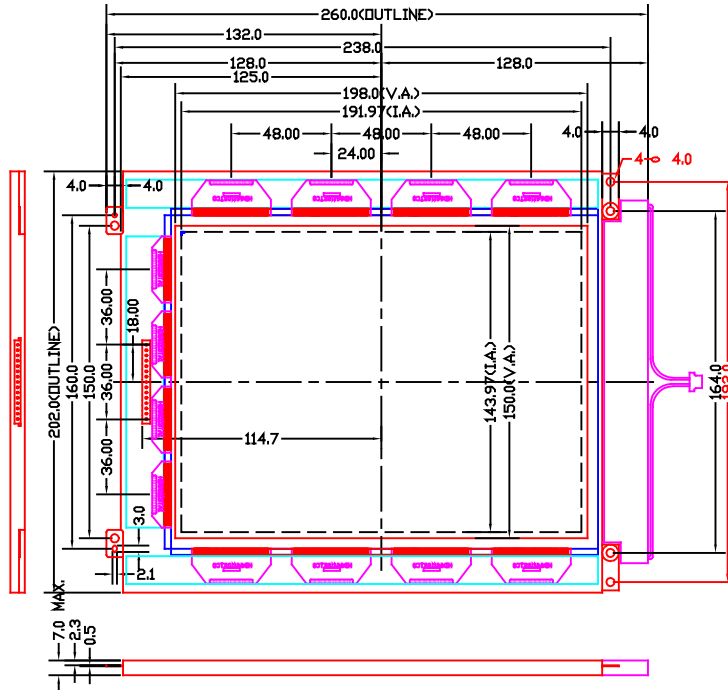
INTECH LCD (SHEN ZHEN) CO.,LTD

VER A0 FILE NO IT-III-ED-004

REV.NO 01 SHEET 1 OF 1

DATE 2000-08-24

① EXTERNAL DIMENSION



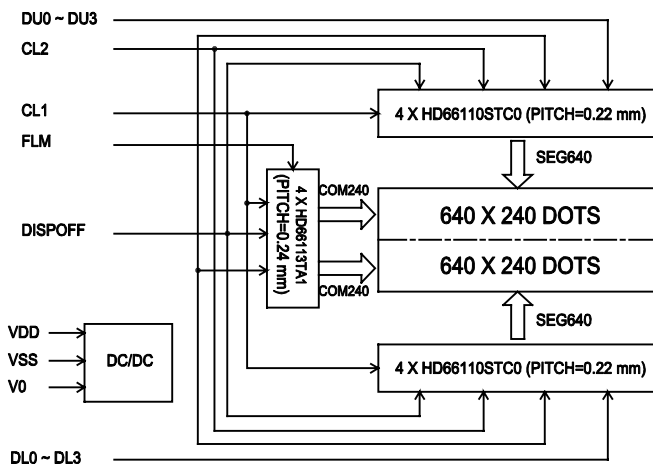
NOTE

- 1 TOLERANCES UNLESS OTHERWISE SPECIFIED: ±0.3
- 2 ALL DIMENSIONS ARE IN mm
- 3 VIEWING ANGLE: 6 O'CLOCK
- 4 POLARIZER: TRANSPARENT
- 5 MULTIPLEX LEVEL: 1/240 DUTY
- 6 POWER SUPPLY FOR LOGIC(VDD): 3.0V
- 7 LOAD DRIVING VOLTAGE(V₀): 40.0V
- 8 OPERATING TEMP: 0°C~50°C
- 9 STORAGE TEMP: -20°C~60°C
- 9 DISPLAY TYPE: DSTN(COLOR: B/W)
- 10 CONNECTOR: TCP
- 11 BACKLIGHT: COFL (Brightness: 45cd/m²)
- 12 CONTRAST RATIO: 10:1
- 13 POWER CONSUMPTION: PANEL 420 mW
BACKLIGHT 2000 mW
- 14 RESPONSE TIME: ~[500] ms

② MECHANICAL DATA

ITEM	SPECIFICATION	UNIT
Module Size (W X H X T)	260.00 X 202.00 X 7.00	mm
Viewing Area (W X H)	198.00 X 150.00	mm
Internal Area (W X H)	191.97 X 143.97	mm
Dot Pitch (W X H)	0.30 X 0.30	mm
Dot Size (W X H)	0.27 X 0.27	mm
Number of Dots (W X H)	640 X 480	dots

④ BLOCK DIAGRAM



③ PIN CONFIGURATION

ITEM	SYMBOL	DESCRIPTION
1	FLM	Frame Start Signal
2	CL1	(1) Latch Pulse of shift Register Data (2) Shift Clock for Common Driver
3	CL2	Clock Pulse for Segment Shift Register
4	DISPOFF	H: Display ON. L: Display OFF
5	VDD	Power Supply for logic (5V)
6	VSS	Ground
7	V0	Power supply for LCD(-)
8	DU0	Input Upper Data Signal
9	DU1	
10	DU2	
11	DU3	Input Lower Data Signal
12	DL0	
13	DL1	
14	DL2	
15	DL3	

③ TABLET CONNECTION TCN

PIN	SYMBOL	DESCRIPTION
1	XR	Film Terminal (Right side of Horizontal)
2	YD	Glass Terminal (Down side of Vertical)
3	XL	Film Terminal (Left side of Horizontal)
4	YU	Glass Terminal (Upper side of Vertical)

③ BACKLIGHT CONNECTOR

PIN	SYMBOL	DESCRIPTION
1	HOT	Power Supply for CCFL(High Voltage SIDE)
2	NC	No Connection
3	COLD	Power Supply for CCFL(Low Voltage SIDE)