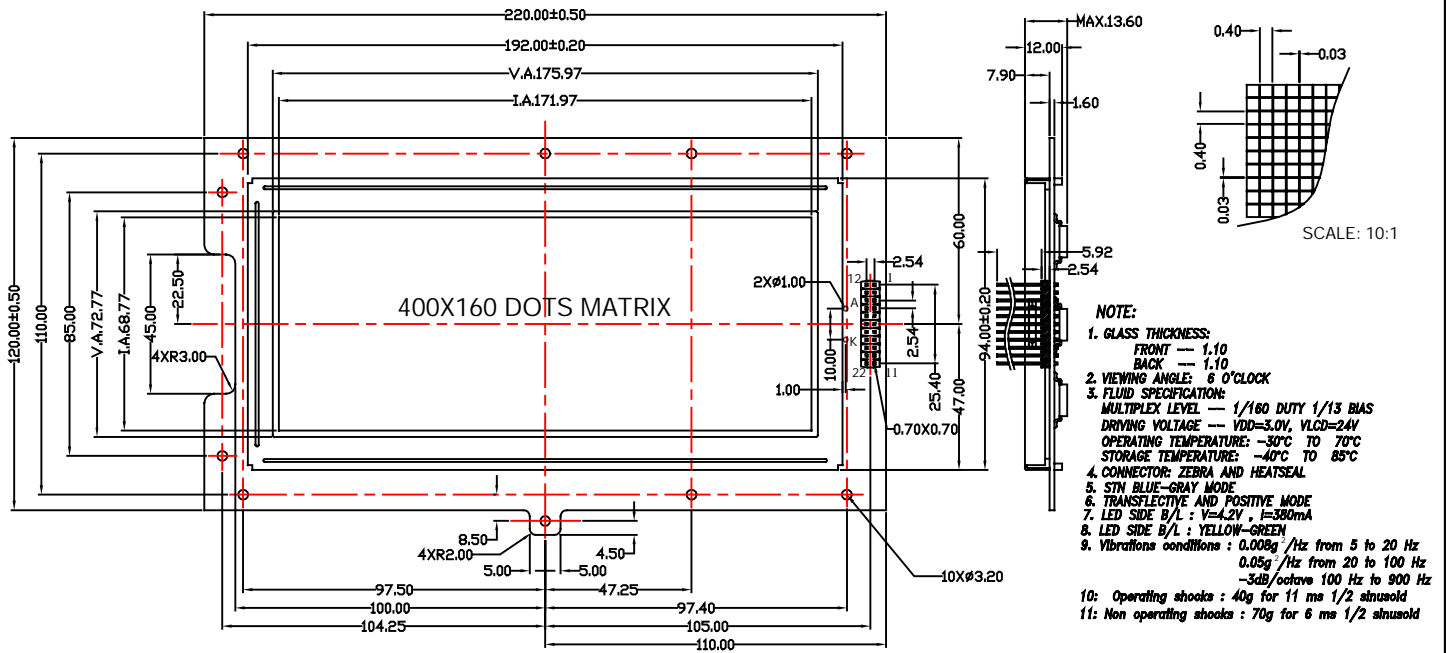


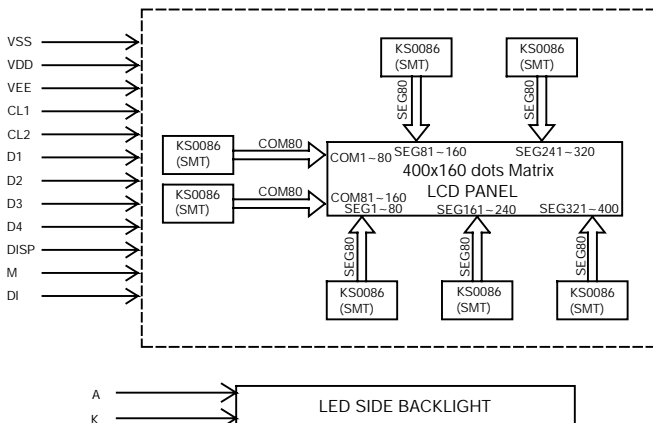
## ① EXTERNAL DIMENSION



## ② MECHANICAL DATA

ITEM	SPECIFICATION	UNIT
Module Size (W X H X T)	220.0 X 128.0 X 13.6	mm
Viewing Area (W X H)	175.97 X 72.77	mm
Internal Area (W X H)	171.97 X 68.77	mm
Dot Pitch (W X H)	0.43 X 0.43	mm
Dot Size (W X H)	0.40 X 0.40	mm
chars of Number	400 X 160	Dots

## ④ BLOCK DIAGRAM



## ③ PIN CONFIGURATION

ITEM	SYMBOL	DESCRIPTION
1	VSS	GND (0V)
2	VDD	Power Supply (3.0V)
3	DB1	Display data bit1 H : ON , L : OFF
4	DB3	Display data bit3 H : ON , L : OFF
5	CL2	In column driver operation , used as a display data latch signal
6	DI	The DI Signal Indicate, The Beginning Of Each Display Cycle.
7	NC	No connection
8	NC	
9	NC	
10	CL1	Column driver data latch signal.
11	A	LED Back light+
12	VSS	GND (0V)
13	VEE	Supply Voltage LCD Driver
14	DB2	Display data bit2 H : ON , L : OFF
15	DB4	Display data bit4 H : ON , L : OFF
16	DISPOFF	Display enable signal . H : ON , L : OFF
17	M	AC conversion signal for liquid crystal display drive output.
18	NC	No connection
19	NC	
20	NC	
21	NC	
22	K	LED Back light -

## ⑤ ABSOLUTE MAXIMUM RATINGS(25°C)

PARAMETER	SYMBOL	MIN.	MAX.	UNIT
Supply Voltage Logic	VDD	-0.3V	+7.0V	V
Supply Voltage Driver	V <sub>LCD</sub>	0V	+30V	V
Input Voltage	V <sub>i</sub>	-0.3V	V <sub>DD</sub> +0.3V	V