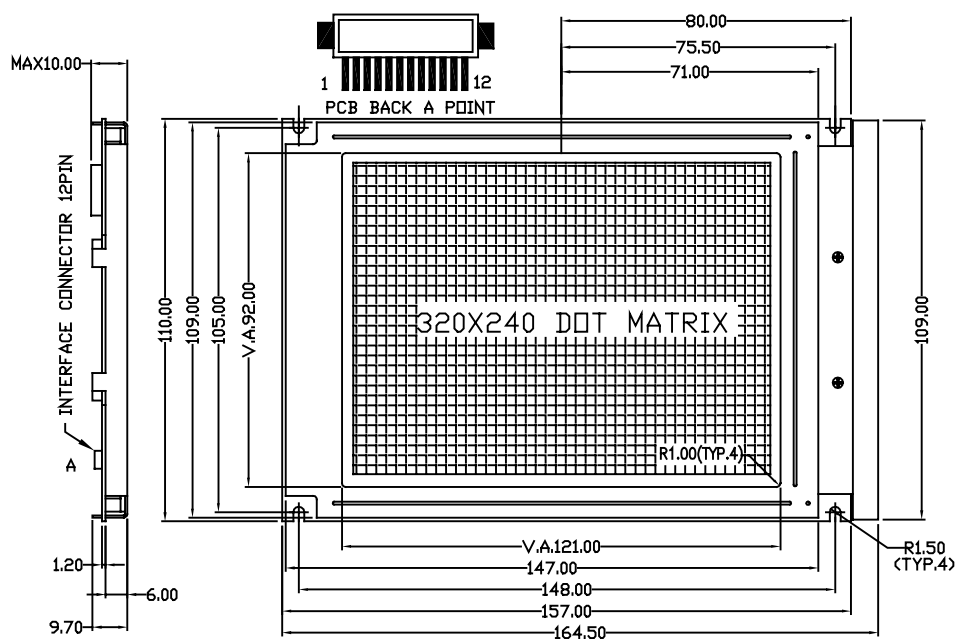


① EXTERNAL DIMENSION



NOTE:

- GLASS THICKNESS:
FRONT --- 0.70
BACK --- 0.70
- VIEWING ANGLE: 6 O'CLOCK
- FLUID SPECIFICATION:
MULTIPLEX LEVEL --- 1/240 DUTY 1/13 BIAS
DRIVING VOLTAGE (TOP) --- 28V
OPERATING TEMPERATURE: 0°C TO 50°C
STORAGE TEMPERATURE: -20°C TO 70°C
- CONNECTOR: ZEBRA
- STN YELLOW-GREEN MODE
- TRANSFLECTIVE

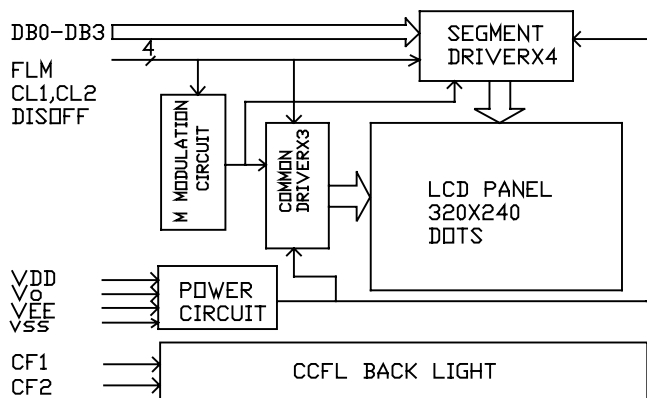
② MECHANICAL DATA

ITEM	SPECIFICATION	UNIT
Module Size (W X H X T)	164.50 X 110.00 X 10.00	mm
Module Size With B/L (W X H X T)	164.50 X 110.00 X 10.00	mm
Viewing Area (W X H)	121.00 X 92.00	mm
Number of Dots (W X H)	320 X 240	dots
Dot Pitch (W X H)	0.36 X 0.36	mm
Dot Size (W X H)	0.33 X 0.33	mm
Weight	192.00	g

③ PIN CONFIGURATION

ITEM	SYMBOL	DESCRIPTION
1	V0	Operating Voltage for LCD (Variable).
2	VEE	Supply Voltage LCD Driver
3	DB0	Display data bit0 H : ON , L : OFF
4	DB1	Display data bit1 H : ON , L : OFF
5	DB2	Display data bit2 H : ON , L : OFF
6	DB3	Display data bit3 H : ON , L : OFF
7	DISPOFF	Display enable signal . H : ON , L : OFF
8	VSS	GND (0V)
9	VDD	Power Supply (5V)
10	CL1	Column driver data latch signal.
11	CL2	In column driver operation , used as a display data latch signal.
12	FLM	The FLM Signal Indicate, The Beginning Of Each Display Cycle
	CF1	CCFL Back-light .
	CF2	CCFL Back-light .

④ BLOCK DIAGRAM



⑤ ABSOLUTE MAXIMUM RATINGS(25°C)

PARAMETER	SYMBOL	MIN.	MAX.	UNIT
Supply Voltage Logic	VDD	-0.3	7.0	V
Supply Voltage Driver	VEE	VDD-23.5	VDD+0.3	V
Input Voltage	VI	-0.3	VDD+0.3	V