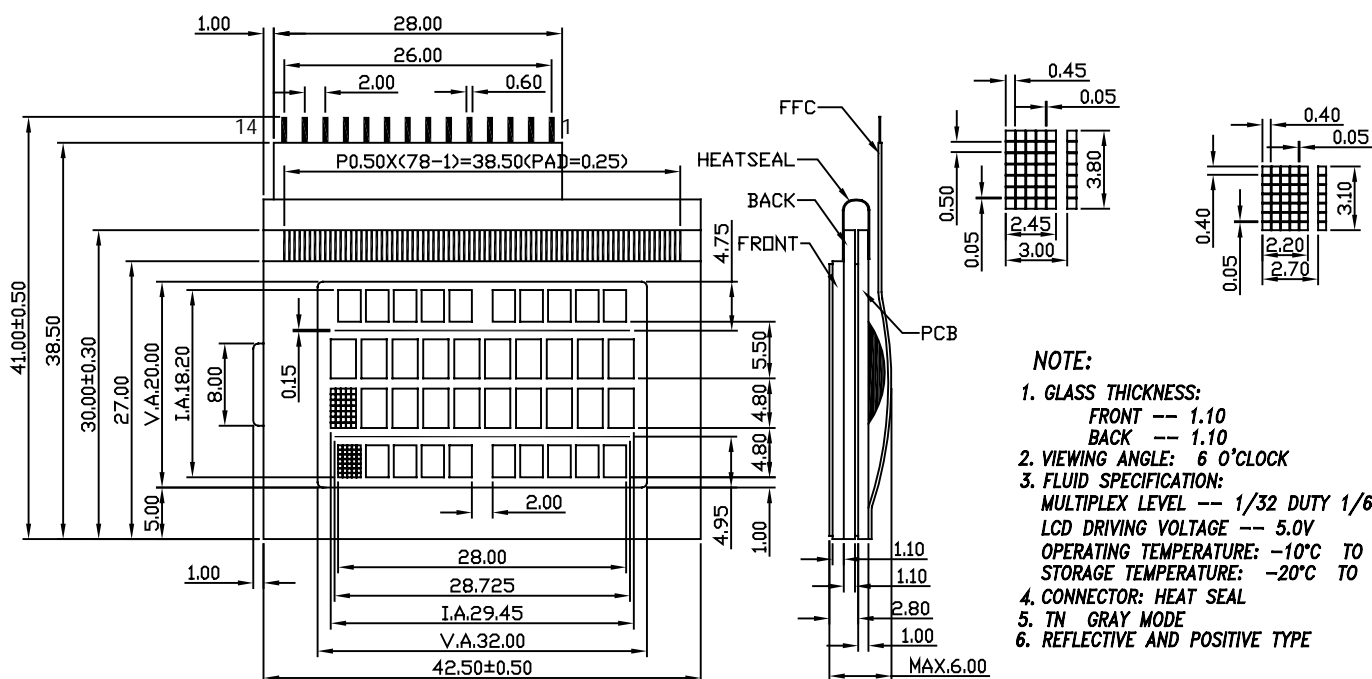


① EXTERNAL DIMENSION



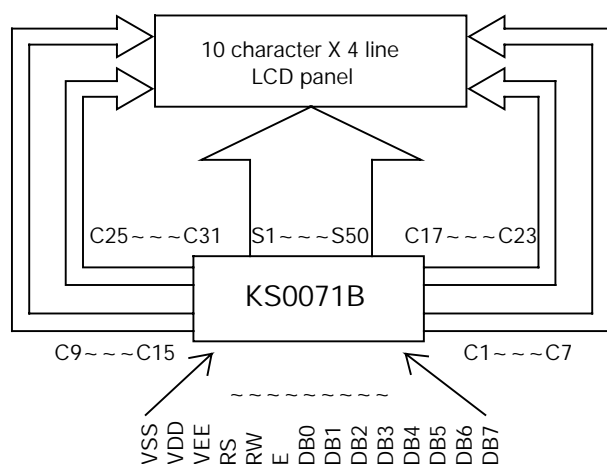
② MECHANICAL DATA

ITEM	SPECIFICATION	UNIT
Module Size (W X H X T)	42.5 X 41.0 X 6.0	mm
Viewing Area (W X H)	32.0 X 20.0	mm
Internal Area (W X H)	29.45 X 18.2	mm
Dot Pitch (W X H)	0.45 X 0.45, 0.50 X 0.55	mm
Dot Size (W X H)	0.40 X 0.40, 0.45 X 0.50	mm
Character of Number	10 X 4	Chars

③ PIN CONFIGURATION

ITEM	SYMBOL	DESCRIPTION
1	VSS	0V(GND)
2	VDD	Power supply for logic
3	VEE	Power supply for LCD Driver (contrast adjustment)
4	RS	Data /instruction register select
5	RW	Read /Write select
6	E	Read-Write enable
7	DB0	Data bus Input /Output line
8	DB1	
9	DB2	
10	DB3	
11	DB4	
12	DB5	
13	DB6	
14	DB7	

④ BLOCK DIAGRAM



⑤ ABSOLUTE MAXIMUM RATINGS(25°C)

PARAMETER	SYMBOL	MIN.	MAX.	UNIT
Supply Voltage Logic	VDD	-0.3	7.0	V
Supply Voltage Driver	V _{lcd}	VDD-13.5	VDD+0.3	V
Input Voltage	V _i	-0.3	VDD+0.3	V