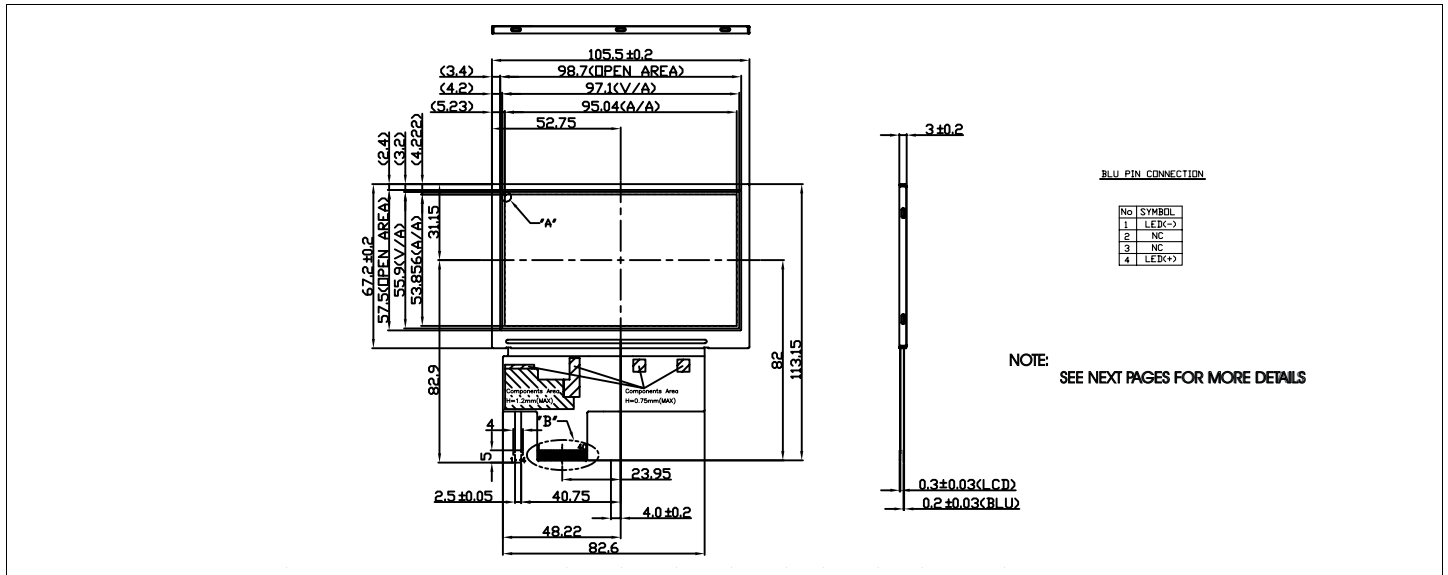


# HDA430 / 430-H (High Brightness)

Dimensional Drawing

4.3", 480x272 , TFT, Transmissive Color, Landscape, White LED Backlight



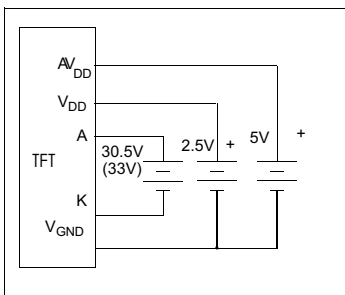
## Features

- Viewing Angle(H/V).....130/110 degrees
- High Contrast.....450
- Fast Response Time.....50 msec
- Built-in DC-DC Converter
- Built-in Controller.....none
- Touch screen .....optional
- High Brightness (HDA430-H).....650 cd/m

## Physical Data

- Module Size.....105.5W x 67.2H x 3.0T mm
- Viewing Area Size.....95.04W x 53.85H mm
- Dot Pitch.....0.198W x 0.198H mm
- Weight.....53g

## Power Supply



## Electrical Characteristics (VDD=2.5±0.1 25V 25°C)

PARAMETER	SYM	CONDITION	MIN	TYP	MAX	UNIT
OPERATING VOLTAGE	V <sub>DD</sub>	-	2.3	2.5	3.6	V
OPERATING VOLTAGE	V <sub>VDD</sub>	-	4.8	5.0	5.2	V
INPUT HIGH VOLTAGE	V <sub>HI</sub>	-	0.7V <sub>DD</sub>	-	V <sub>DD</sub>	V
INPUT LOW VOLTAGE	V <sub>LI</sub>	-	0	-	0.3V <sub>CC</sub>	V
OPERATING CURRENT	I <sub>DD</sub>	-	-	3.2	6	mA
OPERATING CURRENT	AI <sub>DD</sub>	-	-	17.4	27	mA
LED OPERATING VOLTAGE	V <sub>LED</sub>	HDA430/430-H	-	30.5/33	-	V
OPERATING CURRENT	I <sub>FLED</sub>	HDA430/430-H	-	18/20	-	mA
POWER CONSUMPTION	P <sub>D</sub>	HDA430/430-H	-	645/755	-	mW
BRIGHTNESS	L	HDA430/430-H	320/500	370/650	-	cd/m <sup>2</sup>

## Pin Connections

PIN NO.	SYMBOL	FUNCTION	
1-2	GND	I	Ground
3-4	VDD	I	+ 2.5V Power Supply
5	R0	H/L	Red Data Bit 0
6	R1	H/L	Red Data Bit 1
7	R2	H/L	Red Data Bit 2
8	R3	H/L	Red Data Bit 3
9	R4	H/L	Red Data Bit 4
10	R5	H/L	Red Data Bit 5
11	R6	H/L	Red Data Bit 6
12	R7	H/L	Red Data Bit 7
13	G0	H/L	Green Data Bit 0I
14	G1	H/L	Green Data Bit 1I
15	G2	H/L	Green Data Bit 2I
16	G3	H/L	Green Data Bit 3I
17	G4	H/L	Green Data Bit 4I
18	G5	H/L	Green Data Bit 5I
19	G6	H/L	Green Data Bit 6I
20	G7	H/L	Green Data Bit 7I
21	B0	H/L	Blue Data Bit 0I
22	B1	H/L	Blue Data Bit 1I
23	B2	H/L	Blue Data Bit 2I
24	B3	H/L	Blue Data Bit 3I
25	B4	H/L	Blue Data Bit 4I
26	B5	H/L	Blue Data Bit 5I
27	B6	H/L	Blue Data Bit 6I
28	B7	H/L	Blue Data Bit 7I
29	GND	I	Ground
30	PCLK	H/L	Data Clock
31	DISP	H/L	Display ON/OFF (H/L)
32	HSYNC	H	Horizontal Sync
33	VSYNC	H	Vertical Sync
34	NC	-	No Connection
35-36	AVDD	I	+5V Power Supply
37	NC	-	No Connection
38	NC	-	No Connection
39	NC	-	No Connection
40	NC	-	No Connection

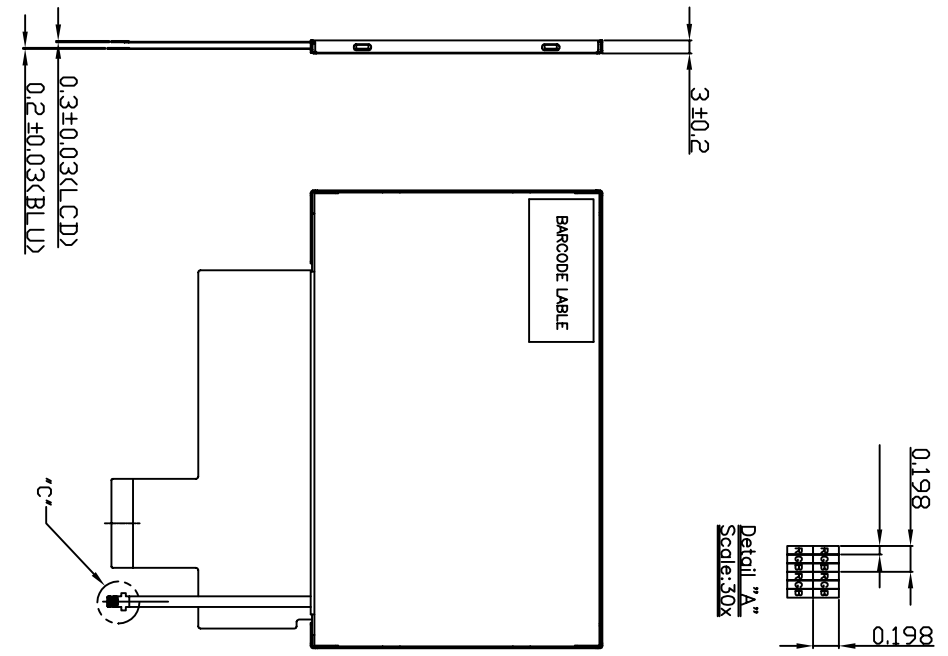
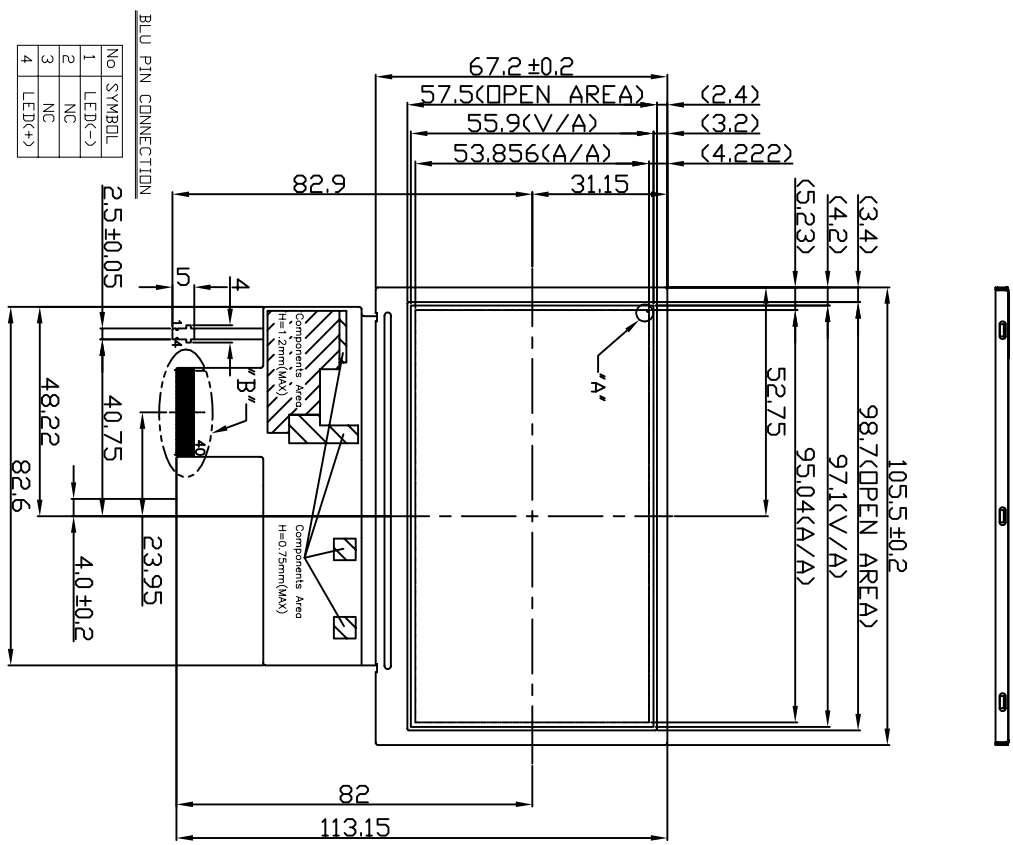
## Absolute Maximum Ratings

PARAMETER	SYMBOL	MIN	MAX	UNIT
SUPPLY VOLTAGE	V <sub>DD</sub>	0	6.0	V
SUPPLY VOLTAGE	AV <sub>DD</sub>	0	6.0	V
BACKLIGHT CURRENT (LED)	I <sub>LED</sub>	-	25	mA
INPUT VOLTAGE	V <sub>IN</sub>	-0.3	V <sub>DD</sub> +0.3	V
OPERATING TEMPERATURE	T <sub>OP</sub>	-20	70	°C
STORAGE TEMPERATURE	T <sub>STG</sub>	-30	80	°C

# HDA430 / HDA430-H

Dimensional Drawing

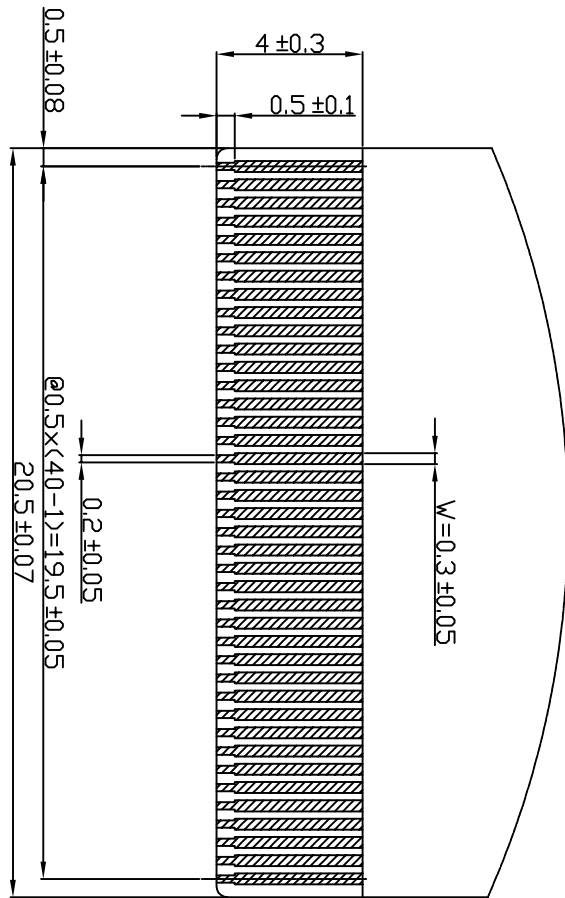
4.3", 480x272 ,TFT ,Transmissive Color, Landscape , White LED Backlight



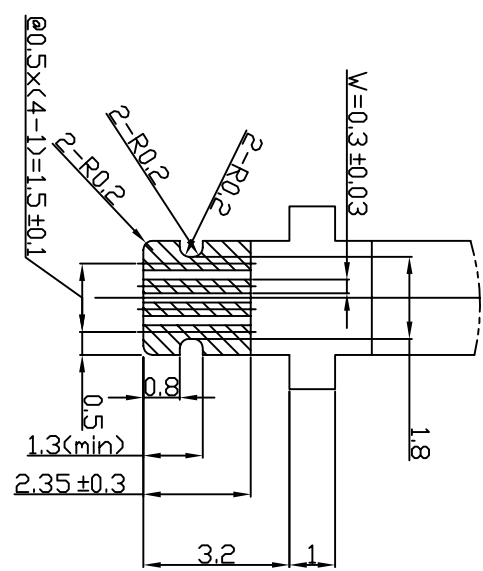
# HDA430 / HDA430-H

Dimensional Drawing

4.3" ,480x272 ,TFT ,Transmissive Color, Landscape , White LED Backlight



Detail "B"  
Scale: 8x



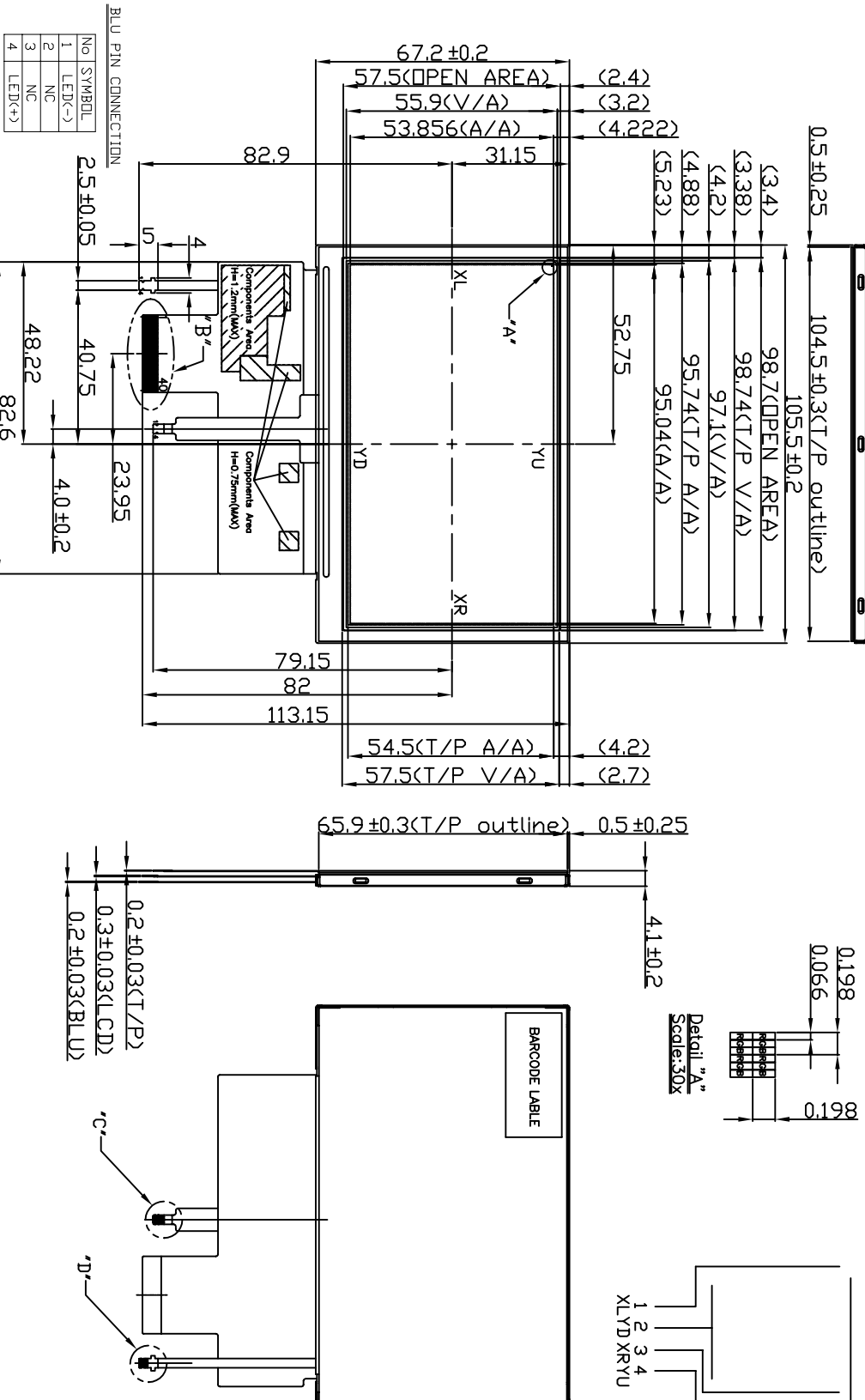
Detail "C"  
Scale: 10x

# HDA430 / HDA430-T

Dimensional Drawing

4.3", 480x272, TFT, Transmissive Color, Landscape, White LED Backlight

TOUCH SCREEN OPTION

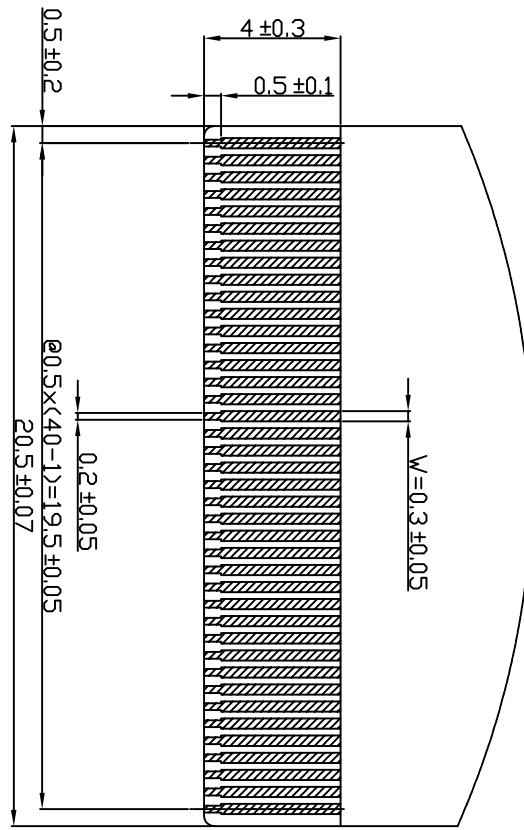


# HDA430 / HDA430-T

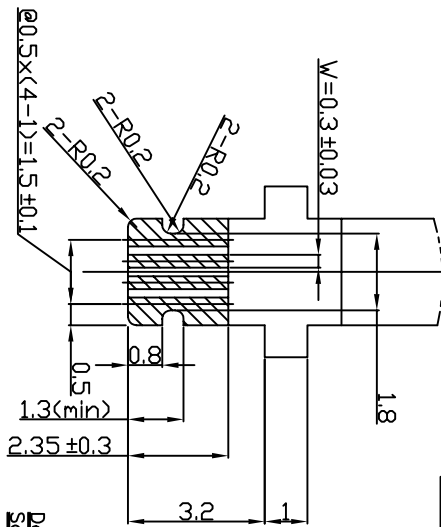
Dimensional Drawing

4.3", 480x272, TFT, Transmissive Color, Landscape, White LED Backlight

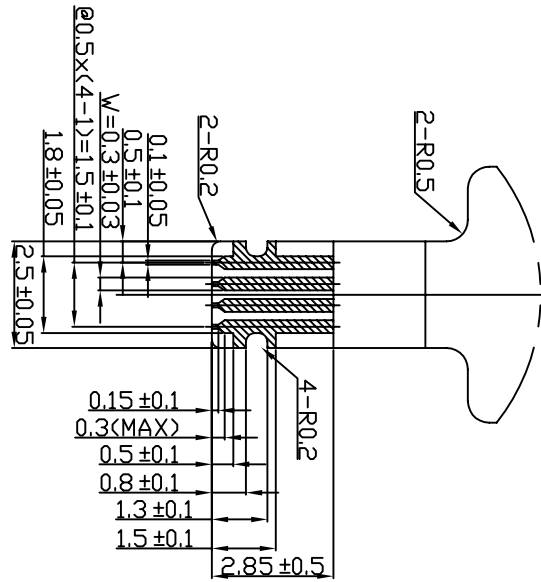
TOUCH SCREEN OPTION



Detail "B"  
Scale: 8x



Detail "C"  
Scale: 10x



Detail "D"  
Scale: 10x