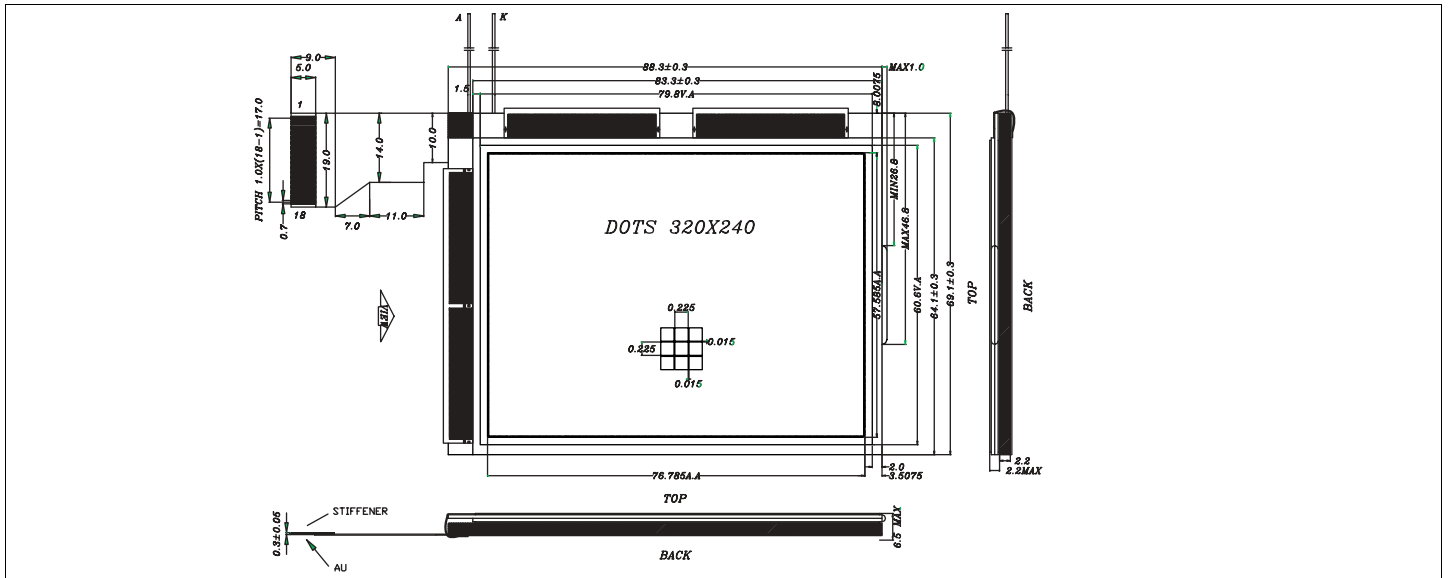


HDM3224L-G

Dimensional Drawing

320 X240 Monochrome Graphics ,White LED Backlight



- Features**
- Viewing Angle.....55 degrees
 - Contrast (Min).....3:1
 - Response Time (Ton/off).....220/184 msec
 - Built-in Controller.....none

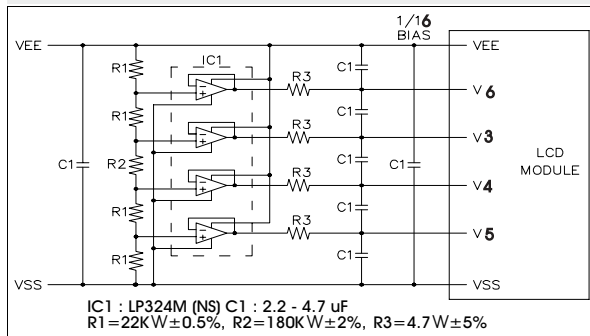
Electrical Characteristics (VDD=3.3±0.125V 25°C)

PARAMETER	SYM	CONDITION	MIN	TYP	MAX	UNIT
OPERATING VOLTAGE	V _{DD}	-	3.0	3.3	3.6	V
OPERATING VOLTAGE	V _{LED}	I = 80 mA	2.8	2.9	3.1	V
INPUT HIGH VOLTAGE	V _{IH}		0.7*V _{DD}	-	V _{DD}	V
INPUT LOW VOLTAGE	V _{IL}		0	-	0.2*V _{DD}	V
LCD OPERATING VOLTAGE	V _O	BIAS 1/13	-	15.4	-	V
OPERATING CURRENT LED	I _{LED}		-	80	90	mA
BRIGHTNESS	L	Average	65	90	-	cd/m ²

Physical Data

- Module Size.....88.3W x69.1H x6.5T mm
- Viewing Area Size.....79.8W x60.6 H mm
- Dot Size0.225W x 0.225H mm

Power Supply



Pin Connections

PIN NO.	SYMBOL	FUNCTION	
1	VLCD	-	Driver Power Supply
2-6	V6,3,4,5,2	-	Com, Seg, Selct., No selec. Levels.
7	GND	-	Ground
8	VDD	-	Power Supply
9	FLM	H	First Line Marker
10	CL2	H/L	Data Shift Clock
11	M	H/L	AC Signal
12	CL1	H/L	Data Latch Input
13	/DOFF	L	Display OFF Control Input
14	GND	-	Ground
15	D3	H/L	Data 3 Line
16	D2	H/L	Data 2 Line
17	D1	H/L	Data 1 Line
18	D0	H/L	Data 0 Line

Absolute Maximum Ratings

PARAMETER	SYMBOL	MIN	MAX	UNIT
SUPPLY VOLTAGE	V _{DD} /V _{VDD}	-0.3	7.0	V
BACKLIGHT CURRENT(White LED)	I _{LED}	-	90	mA
INPUT VOLTAGE	V _{IN}	-0.3	V _{DD} + 0.3	V
DRIVER VOLTAGE	V	-0.3	+30	V
OPERATING TEMPERATURE	T _{OP}	-20	+70	°C
STORAGE TEMPERATURE	T _{STG}	-30	+85	°C