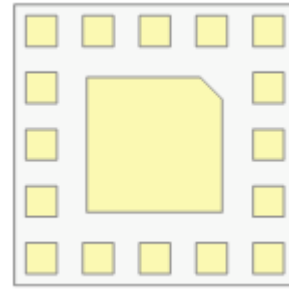


Product Brief



Description

The Avago Technologies' ACFM-W1G7 is an antenna triplexer that combines filters for Mid and High Cellular, GNSS, and Wi-Fi bands into a single, miniature package.

The ACFM-W1G7 features a single antenna connection, eliminating the need for antenna switching. All ports are matched to 50 ohms.

The ACFM-W1G7 is designed with Avago Technologies' Film Bulk Acoustic Resonator (FBAR) technology. The ACFM-W1G7 also utilizes Avago Technologies' innovative Microcap bonded-wafer, chip scale packaging technology. This process allows the filters to be assembled in a module with a footprint of only 2.5 mm × 2.5 mm with a maximum height of 0.80 mm.

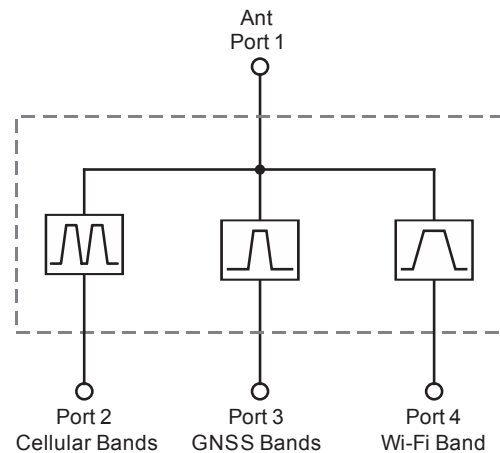
The ACFM-W1G7 enhances performance with low Insertion Loss, high dynamic range, and high rejection of interfering signals.

The excellent power handling capability of Avago Technologies' FBAR bulk-mode resonators supports the power levels used in mobile communications devices while adding virtually no distortion.

Features

- Single antenna
- All ports matched to 50 ohms
- Miniature size
 - 2.5 mm × 2.5 mm footprint
 - 0.80 mm maximum height
- +33 dBm power rating
- Environmental
 - RoHS 6 compliant
 - Halogen free
 - TBBPA free

Functional Block Diagram



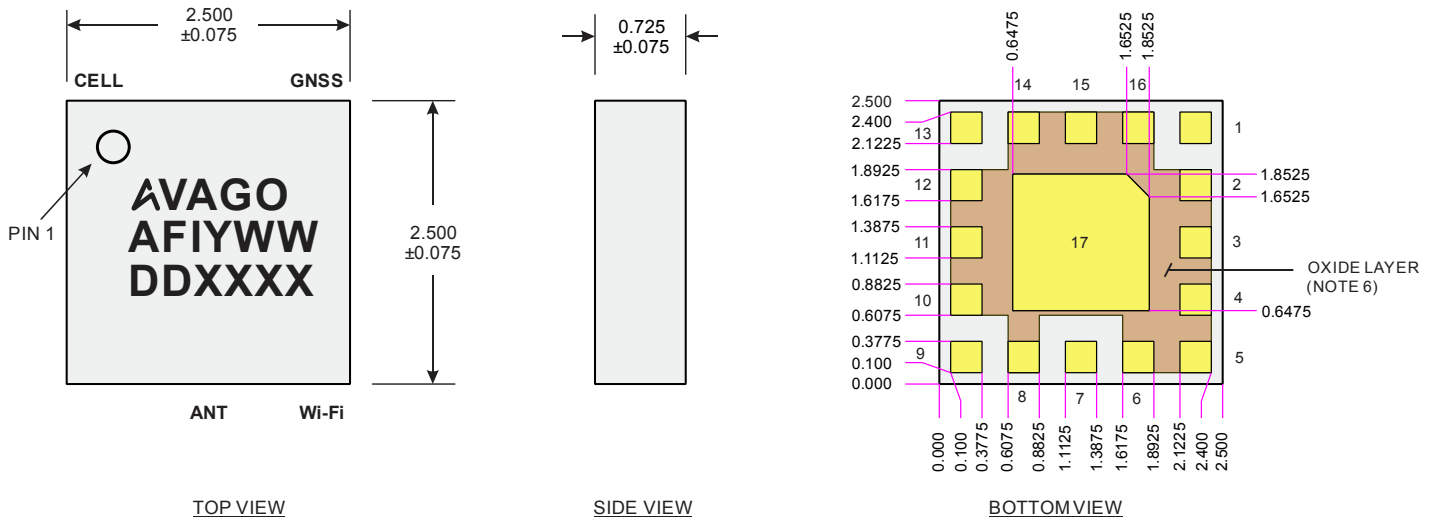
Specifications

- Performance guaranteed -20°C to +85°C
- Cellular bands, 1427.9 MHz to 1510.9 MHz
 - Insertion loss: 3.8 dB, max
- Cellular bands, 1710 MHz to 2170 MHz, 2300 MHz to 2370 MHz
 - Insertion loss: 2.8 dB, max
- Cellular band, 2500 MHz to 2570 MHz
 - Insertion loss: 4.5 dB, max
- Cellular band, 2570 MHz to 2690 MHz
 - Insertion loss: 2.0 dB, max
- GNSS bands, 1559 MHz to 1606 MHz
 - Insertion loss: 4.7 dB, max
- Wi-Fi band, 2402.5 MHz to 2481.5 MHz
 - Insertion loss: 4.5 dB, max

Applications

Smartphones, tablets, and mobile/portable communications devices utilizing GNSS and Wi-Fi with cellular bands.

Figure 1 Package Outline and Drawing



Notes:

1. Dimensions in millimeters
2. Tolerance, unless otherwise noted:
 XXX ± 0.05 mm
 XXXX ± 0.025 mm
3. Dimensions nominal unless otherwise noted
4. Angles 45° nominal
5. Contact areas are gold plated
6. Ground pads on bottom metal are defined by a thin (< 1µm) oxide layer which acts as a solder stop

Marking:

AVAGO = Avago Technologies
 A = ACFM-W1G7
 FI = Assembly Information
 Y = Year
 WW = Work Week
 DD = Date Code
 XXXX = Assembly Lot

Pin Connections:

1 = Cell Bands
 7 = Ant
 9 = Wi-Fi
 13 = GNSS
 ALL OTHERS = GND

For product information and a complete list of distributors, please go to our web site: www.broadcom.com.

Broadcom, the pulse logo, Connecting everything, Avago Technologies, and the A logo are among the trademarks of Broadcom in the United States, certain other countries and/or the EU.

Copyright © 2016 Broadcom. All Rights Reserved.

The term "Broadcom" refers to Broadcom Limited and/or its subsidiaries. For more information, please visit www.broadcom.com.

Broadcom reserves the right to make changes without further notice to any products or data herein to improve reliability, function, or design.

Information furnished by Broadcom is believed to be accurate and reliable. However, Broadcom does not assume any liability arising out of the application or use of this information, nor the application or use of any product or circuit described herein, neither does it convey any license under its patent rights nor the rights of others.

pub-005827 – August 26, 2016

