

TPS3700-Q1 Window Comparator for Over- and Undervoltage Detection

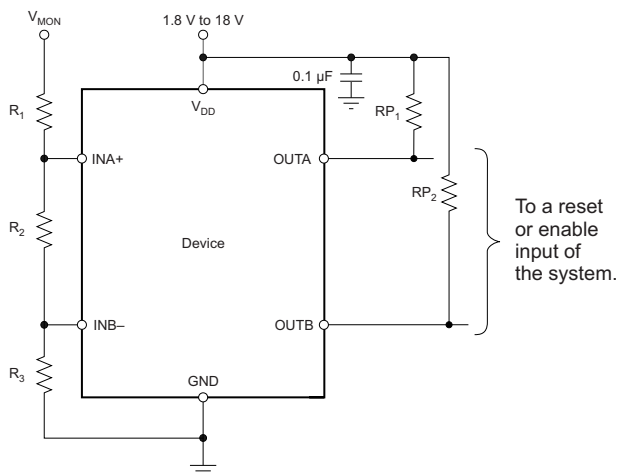
1 Features

- Qualified for Automotive Applications
- AEC-Q100 Qualified With the Following Results:
 - Device Temperature Grade 1: -40°C to 125°C Ambient Operating Temperature Range
 - Device HBM ESD Classification Level H2
 - Device CDM ESD Classification Level C6
- Wide Supply Voltage Range: 1.8 to 18 V
- Adjustable Threshold: Down to 400 mV
- Open-Drain Outputs for Overvoltage and Undervoltage Detection
- Low Quiescent Current: 5.5 μA (typ)
- High Threshold Accuracy:
 - 1% Over Temperature
 - 0.25% (typ)
- Internal Hysteresis: 5.5 mV (typ)
- Available in a ThinSOT23-6 Package

2 Applications

- Automotive Safety Applications
- Body Electronics
- Infotainment
- Low Battery Detection
- Power Sequencing
- Industrial Control Systems
- FPGA and ASIC Applications
- Microcontroller and DSP Applications

4 Simplified Schematic



3 Description

The TPS3700-Q1 wide-supply voltage window comparator operates over a 1.8-V to 18-V range. The device has two high-accuracy comparators with an internal 400-mV reference and two open-drain outputs rated to 18 V for overvoltage and undervoltage detection. The TPS3700-Q1 device can be used as a window comparator or as two independent voltage monitors; the monitored voltage can be set with the use of external resistors.

The OUTA terminal is driven low when the voltage at the INA+ terminal drops below $(V_{IT+} - V_{hys})$, and goes high when the voltage returns above the respective threshold (V_{IT+}) . The OUTB terminal is driven low when the voltage at the INB- terminal rises above V_{IT+} , and goes high when the voltage drops below the respective threshold $(V_{IT+} - V_{hys})$. Both comparators in the TPS3700-Q1 device include built-in hysteresis for filtering to reject brief glitches, thereby ensuring stable output operation without false triggering.

The TPS3700-Q1 device is available in a ThinSOT23-6 package and is specified over the junction temperature range of -40°C to 125°C .

Device Information

ORDER NUMBER	PACKAGE	BODY SIZE
TPS3700QDDCRQ1	SOT23 (6)	2,90 mm x 1,60 mm

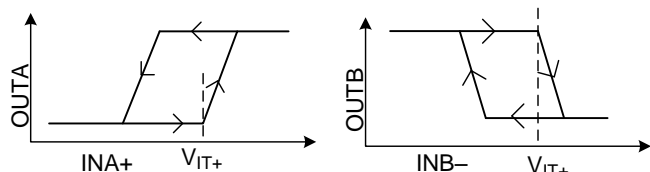


Table of Contents

1 Features	1	8.2 Functional Block Diagram	9
2 Applications	1	8.3 Feature Description	9
3 Description	1	8.4 Device Functional Modes	11
4 Simplified Schematic	1	9 Application and Implementation	12
5 Revision History	2	9.1 Application Information	12
6 Terminal Configuration and Functions	3	9.2 Typical Application	15
7 Specifications	4	10 Power Supply Recommendations	16
7.1 Absolute Maximum Ratings	4	11 Layout	17
7.2 Handling Ratings	4	11.1 Layout Guidelines	17
7.3 Recommended Operating Conditions	4	11.2 Layout Example	17
7.4 Thermal Information	4	12 Device and Documentation Support	18
7.5 Electrical Characteristics	5	12.1 Documentation Support	18
7.6 Timing Requirements	6	12.2 Trademarks	18
7.7 Switching Characteristics	6	12.3 Electrostatic Discharge Caution	18
7.8 Typical Characteristics	7	12.4 Glossary	18
8 Detailed Description	9	13 Mechanical, Packaging, and Orderable Information	18
8.1 Overview	9		

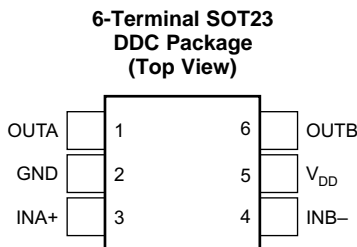
5 Revision History

Changes from Original (March 2014) to Revision A

Page

- | | |
|---|----------|
| • Changed device status from <i>Product Preview</i> to <i>Production Data</i> . | 1 |
|---|----------|

6 Terminal Configuration and Functions



Terminal Functions

TERMINAL		DESCRIPTION
NAME	NUMBER	
GND	2	Ground
INA+	3	This terminal is connected to the voltage to be monitored with the use of an external resistor divider. When the voltage at this terminal drops below the threshold voltage ($V_{IT+} - V_{hys}$), the OUTA terminal is driven low.
INB-	4	This terminal is connected to the voltage that is monitored with the use of an external resistor divider. When the voltage at this terminal exceeds the threshold voltage (V_{IT+}), the OUTB terminal is driven low.
OUTA	1	This terminal is the INA+ comparator open-drain output. The OUTA terminal is driven low when the voltage at this comparator is below ($V_{IT+} - V_{hys}$). The output goes high when the sense voltage returns above the respective threshold (V_{IT+}).
OUTB	6	This terminal is the INB- comparator open-drain output. The OUTB terminal is driven low when the voltage at this comparator exceeds V_{IT+} . The output goes high when the sense voltage returns below the respective threshold ($V_{IT+} - V_{hys}$).
V_{DD}	5	This terminal is the supply voltage input. Connect a 1.8-V to 18-V supply to the V_{DD} terminal to power the device. Placing a 0.1- μ F ceramic capacitor close to this terminal is good analog design practice.

7 Specifications

7.1 Absolute Maximum Ratings

Over operating temperature range (unless otherwise noted)⁽¹⁾

		MIN	MAX	UNIT
Voltage ⁽²⁾	V _{DD}	-0.3	20	V
	OUTA, OUTB	-0.3	20	V
	INA+, INB-	-0.3	7	V
Current	Output terminal current		40	mA
Operating junction temperature, T _J		-40	125	°C

- (1) Stresses beyond those listed under *Absolute Maximum Ratings* may cause permanent damage to the device. These are stress ratings only, which do not imply functional operation of the device at these or any other conditions beyond those indicated under *Recommended Operating Conditions*. Exposure to absolute-maximum-rated conditions for extended periods may affect device reliability.
- (2) All voltages are with respect to network ground terminal.

7.2 Handling Ratings

		MIN	MAX	UNIT
T _{stg}	Storage temperature range	-65	150	°C
V _{ESD} ⁽¹⁾	Human body model (HBM) ESD stress voltage ⁽²⁾		2.5	kV
	Charge device model (CDM) ESD stress voltage ⁽³⁾		1	

- (1) Electrostatic discharge (ESD) to measure device sensitivity and immunity to damage caused by assembly line electrostatic discharges in to the device.
- (2) Level listed above is the passing level per ANSI, ESDA, and JEDEC JS-001. JEDEC document JEP155 states that 500-V HBM allows safe manufacturing with a standard ESD control process.
- (3) Level listed above is the passing level per EIA-JEDEC JESD22-C101. JEDEC document JEP157 states that 250-V CDM allows safe manufacturing with a standard ESD control process.

7.3 Recommended Operating Conditions

Over operating temperature range (unless otherwise noted)

		MIN	MAX	UNIT	
V _{DD}	Supply voltage	1.8	18	V	
V _I	Input voltage	INA+, INB-	0	6	V
V _O	Output voltage	OUTA, OUTB	0	18	V

7.4 Thermal Information

THERMAL METRIC ⁽¹⁾		DDC (6 TERMINALS)	UNIT
R _{θJA}	Junction-to-ambient thermal resistance	204.6	°C/W
R _{θJC(top)}	Junction-to-case (top) thermal resistance	50.5	
R _{θJB}	Junction-to-board thermal resistance	54.3	
Ψ _{JT}	Junction-to-top characterization parameter	0.8	
Ψ _{JB}	Junction-to-board characterization parameter	52.8	
R _{θJC(bot)}	Junction-to-case (bottom) thermal resistance	—	

- (1) For more information about traditional and new thermal metrics, see the *IC Package Thermal Metrics* application report, [SPRA953](http://www.ti.com/lit/an/spra953).

7.5 Electrical Characteristics

Over the operating temperature range of $T_J = -40^{\circ}\text{C}$ to 125°C , and $1.8\text{ V} < V_{DD} < 18\text{ V}$, unless otherwise noted.

Typical values are at $T_J = 25^{\circ}\text{C}$ and $V_{DD} = 5\text{ V}$.

PARAMETER		TEST CONDITIONS	MIN	TYP	MAX	UNIT
V_{DD}	Supply voltage range		1.8		18	V
$V_{(POR)}$	Power-on reset voltage ⁽¹⁾	$V_{OLmax} = 0.2\text{ V}$, $I_{(OUTA/B)} = 15\text{ }\mu\text{A}$			0.8	V
V_{IT+}	Positive-going input threshold voltage	$V_{DD} = 1.8\text{ V}$	396	400	404	mV
		$V_{DD} = 18\text{ V}$	396	400	404	mV
V_{IT-}	Negative-going input threshold voltage	$V_{DD} = 1.8\text{ V}$	387	394.5	400	mV
		$V_{DD} = 18\text{ V}$	387	394.5	400	mV
V_{hys}	Hysteresis voltage ($hys = V_{IT+} - V_{IT-}$)			5.5	12	mV
$I_{(INA+)}$ $I_{(INB-)}$	Input current (at the INA+ or INB- terminal)	$V_{DD} = 1.8\text{ V}$ and 18 V , $V_I = 6.5\text{ V}$	-25	1	25	nA
		$V_{DD} = 1.8\text{ V}$ and 18 V , $V_I = 0.1\text{ V}$	-15	1	15	nA
V_{OL}	Low-level output voltage	$V_{DD} = 1.3\text{ V}$, $I_O = 0.4\text{ mA}$			250	mV
		$V_{DD} = 1.8\text{ V}$, $I_O = 3\text{ mA}$			250	mV
		$V_{DD} = 5\text{ V}$, $I_O = 5\text{ mA}$			250	mV
$I_{(kg(OD))}$	Open-drain output leakage-current	$V_{DD} = 1.8\text{ V}$ and 18 V , $V_O = V_{DD}$			300	nA
		$V_{DD} = 1.8\text{ V}$, $V_O = 18\text{ V}$			300	nA
I_{DD}	Supply current	$V_{DD} = 1.8\text{ V}$, no load		5.5	11	μA
		$V_{DD} = 5\text{ V}$		6	13	μA
		$V_{DD} = 12\text{ V}$		6	13	μA
		$V_{DD} = 18\text{ V}$		7	13	μA
	Startup delay ⁽²⁾			150		μs
UVLO	Undervoltage lockout ⁽³⁾	V_{DD} falling	1.3		1.7	V

(1) The lowest supply voltage (V_{DD}) at which output is active; $t_{r(VDD)} > 15\text{ }\mu\text{s/V}$. Below $V_{(POR)}$, the output cannot be determined.

(2) During power on, V_{DD} must exceed 1.8 V for at least $150\text{ }\mu\text{s}$ before the output is in a correct state.

(3) When V_{DD} falls below UVLO, OUTA is driven low and OUTB goes to high impedance. The outputs cannot be determined below $V_{(POR)}$.

7.6 Timing Requirements

Over operating temperature range (unless otherwise noted)

		MIN	TYP	MAX	UNIT
t_{PHL}	High-to-low propagation delay ⁽¹⁾		18		μs
t_{PLH}	Low-to-high propagation delay ⁽¹⁾		29		μs

(1) High-to-low and low-to-high refers to the transition at the input terminals (INA+ and INB-).

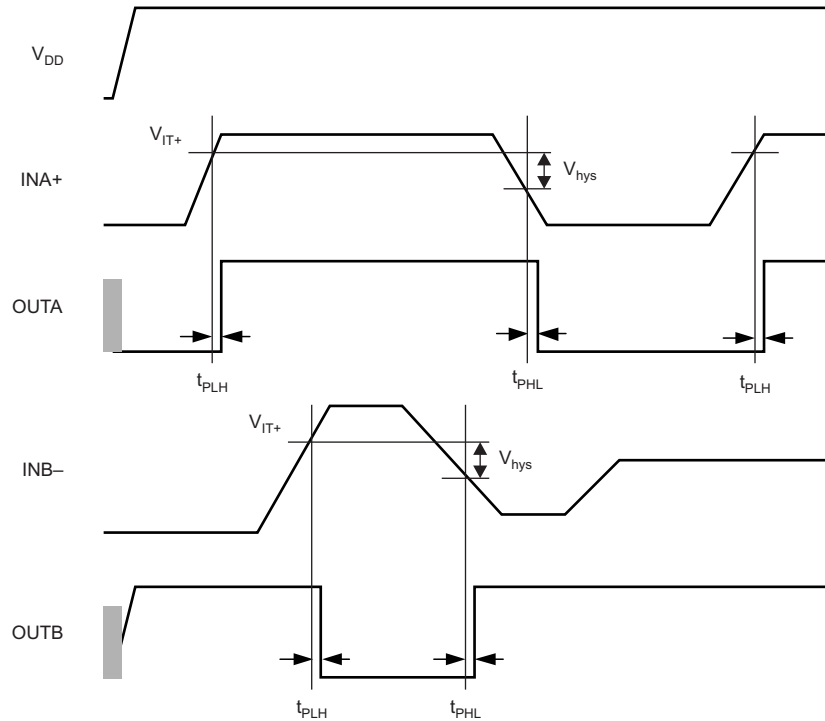


Figure 1. Timing Diagram

7.7 Switching Characteristics

Over operating temperature range (unless otherwise noted)

PARAMETER	TEST CONDITIONS	MIN	TYP	MAX	UNIT
t_r	Output rise time $V_{DD} = 5 V$, 10-mV input overdrive, $R_P = 10 k\Omega$, $V_O = (0.1 \text{ to } 0.9) \times V_{DD}$		2.2		μs
t_f	Output fall time $V_{DD} = 5 V$, 10-mV input overdrive, $R_P = 10 k\Omega$, $V_O = (0.1 \text{ to } 0.9) \times V_{DD}$		0.22		μs

7.8 Typical Characteristics

At $T_J = 25^\circ\text{C}$ and $V_{DD} = 5\text{ V}$, unless otherwise noted.

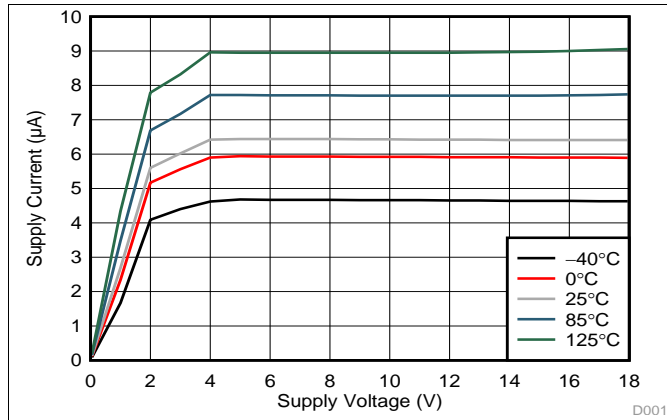


Figure 2. Supply Current (I_{DD}) vs Supply Voltage (V_{DD})

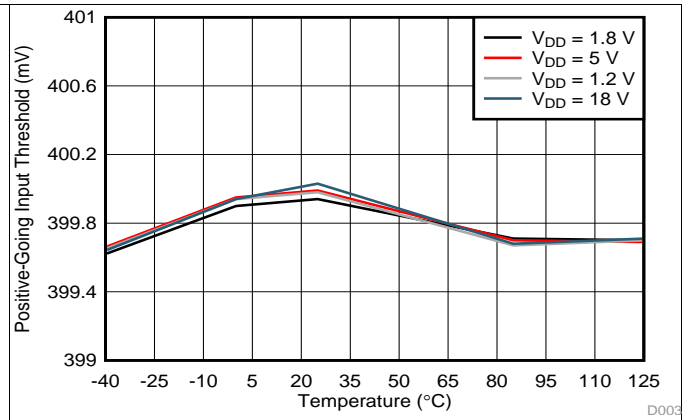


Figure 3. Rising Input Threshold Voltage (V_{IT+}) vs Temperature

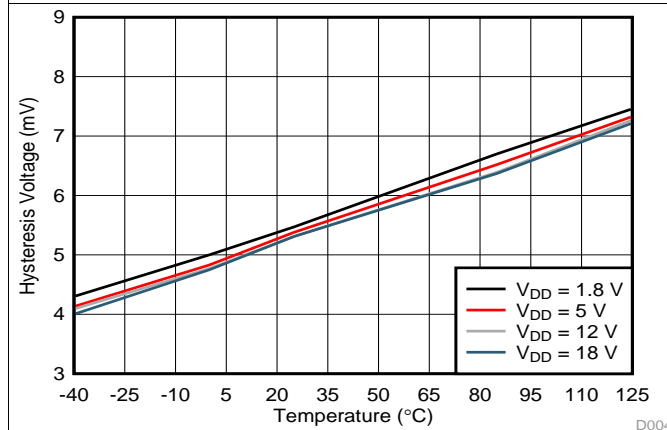


Figure 4. Hysteresis (V_{hys}) vs Temperature

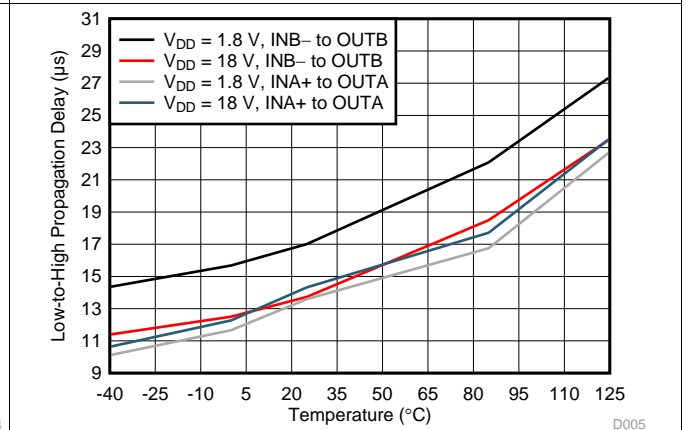


Figure 5. Propagation Delay vs Temperature (High-to-Low Transition at the Inputs)

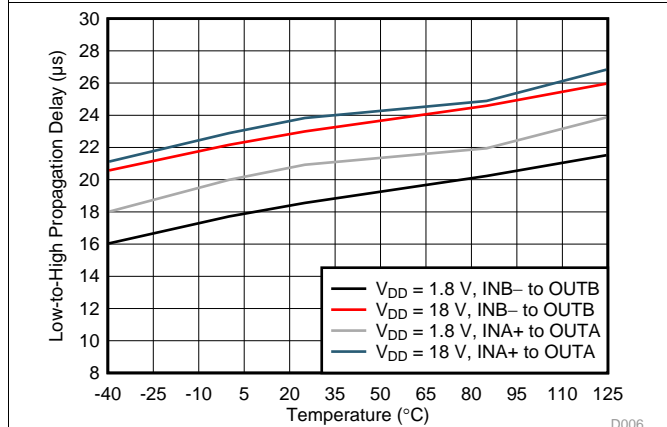


Figure 6. Propagation Delay vs Temperature (Low-to-High Transition at the Inputs)

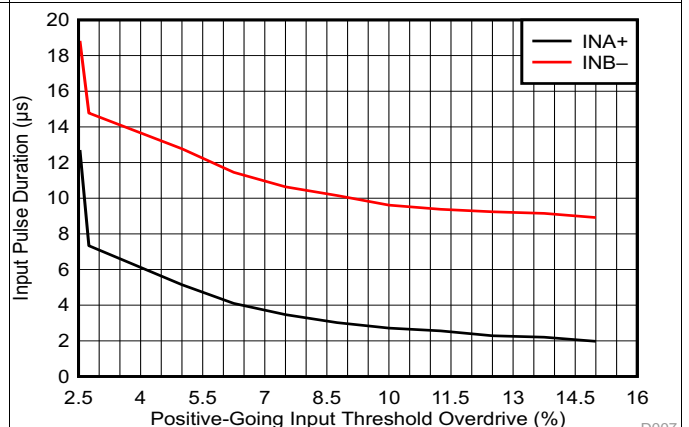


Figure 7. Minimum Pulse Width vs Threshold Overdrive Voltage

Typical Characteristics (continued)

At $T_J = 25^\circ\text{C}$ and $V_{DD} = 5\text{ V}$, unless otherwise noted.

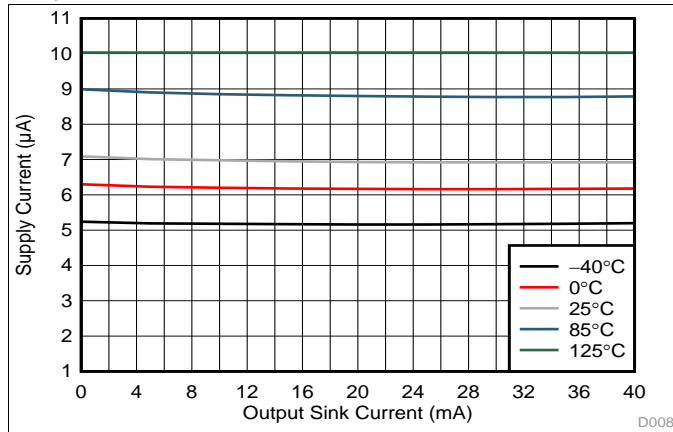


Figure 8. Supply Current (I_{DD}) vs Output Sink Current

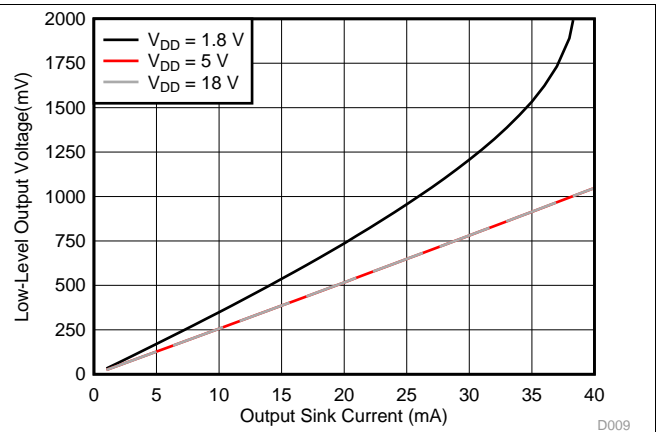


Figure 9. Output Voltage Low (V_{OL}) vs Output Sink Current (-40°C)

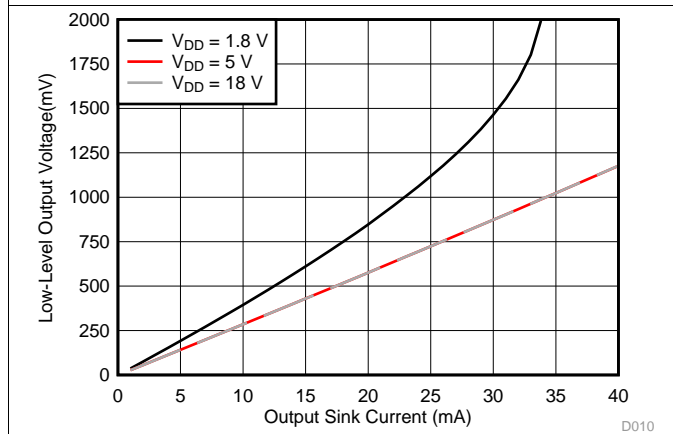


Figure 10. Output Voltage Low (V_{OL}) vs Output Sink Current (0°C)

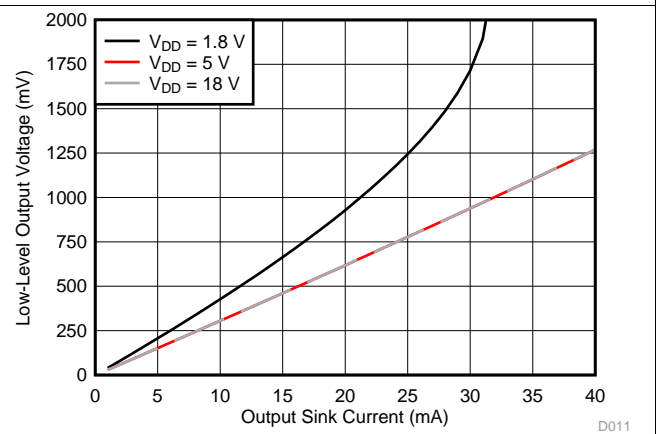


Figure 11. Output Voltage Low (V_{OL}) vs Output Sink Current (25°C)

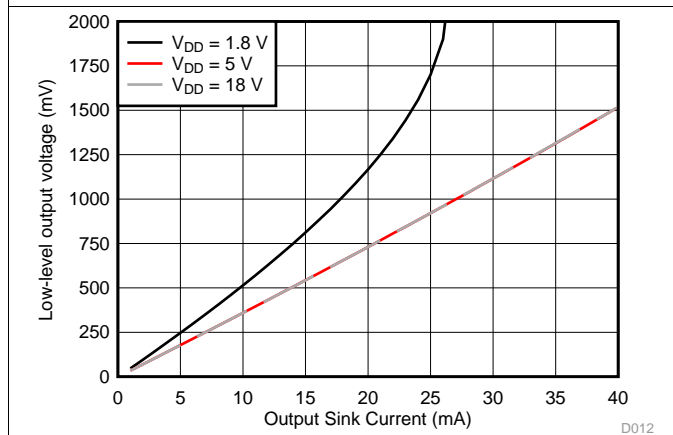


Figure 12. Output Voltage Low (V_{OL}) vs Output Sink Current (85°C)

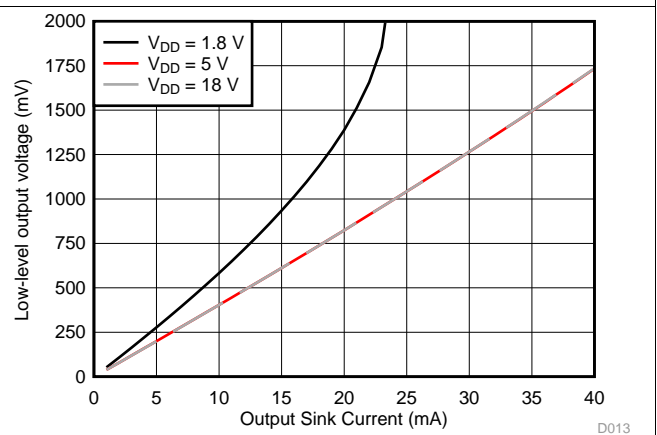


Figure 13. Output Voltage Low (V_{OL}) vs Output Sink Current (125°C)

8 Detailed Description

8.1 Overview

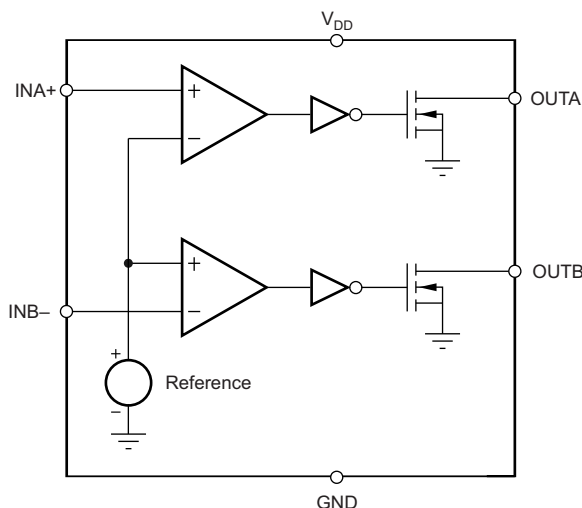
The TPS3700-Q1 device combines two comparators for overvoltage and undervoltage detection. The TPS3700-Q1 device is a wide-supply voltage range (1.8 to 18 V) device with a high-accuracy rising input threshold of 400 mV (1% over temperature) and built-in hysteresis. The outputs are also rated to 18 V and can sink up to 40 mA.

The TPS3700-Q1 device is designed to assert the output signals, as shown in [Table 1](#). Each input terminal can be set to monitor any voltage above 0.4 V using an external resistor divider network. With the use of two input terminals of different polarities, the TPS3700-Q1 device forms a window comparator. Broad voltage thresholds can be supported that allow the device to be used in a wide array of applications.

Table 1. TPS3700-Q1 Truth Table

CONDITION	OUTPUT	STATUS
$INA+ > V_{IT+}$	OUTA high	Output A not asserted
$INA+ < V_{IT-}$	OUTA low	Output A asserted
$INB- > V_{IT+}$	OUTB low	Output B asserted
$INB- < V_{IT-}$	OUTB high	Output B not asserted

8.2 Functional Block Diagram



8.3 Feature Description

8.3.1 Inputs (INA+, INB-)

The TPS3700-Q1 device combines two comparators. Each comparator has one external input (inverting and noninverting); the other input is connected to the internal reference. The comparator rising threshold is designed and trimmed to be equal to the reference voltage (400 mV). Both comparators also have a built-in falling hysteresis that makes the device less sensitive to supply rail noise and ensures stable operation.

The comparator inputs can swing from ground to 6.5 V, regardless of the device supply voltage used. Although not required in most cases, it is good analog design practice to place a 1-nF to 10-nF bypass capacitor at the comparator input for extremely noisy applications in order to reduce sensitivity to transients and layout parasitics.

For comparator A, the corresponding output (OUTA) is driven to logic low when the input INA+ voltage drops below $(V_{IT+} - V_{hys})$. When the voltage exceeds V_{IT+} , the output (OUTA) goes to a high-impedance state; see [Figure 1](#).

Feature Description (continued)

For comparator B, the corresponding output (OUTB) is driven to logic low when the voltage at input INB– exceeds V_{IT+} . When the voltage drops below $V_{IT+} - V_{hys}$ the output (OUTB) goes to a high-impedance state; see [Figure 1](#). Together, these comparators form a window-detection function as discussed in the [Window Comparator](#) section.

8.3.2 Outputs (OUTA, OUTB)

In a typical TPS3700-Q1 application, the outputs are connected to a reset or enable input of the processor (such as a digital signal processor [DSP], central processing unit [CPU], field-programmable gate array [FPGA], or application-specific integrated circuit [ASIC]) or the outputs are connected to the enable input of a voltage regulator (such as a DC-DC or low-dropout regulator [LDO]).

The TPS3700-Q1 device provides two open-drain outputs (OUTA and OUTB). Pullup resistors must be used to hold these lines high when the output goes to high impedance (not asserted). By connecting pullup resistors to the proper voltage rails, the outputs can be connected to other devices at the correct interface-voltage levels. The TPS3700-Q1 outputs can be pulled up to 18 V, independent of the device supply voltage. To ensure proper voltage levels, some thought should be given while choosing the pullup resistor values. The pullup resistor value is determined by V_{OL} , sink-current capability, and output-leakage current ($I_{lkg(OD)}$). These values are specified in the [Electrical Characteristics](#) table. By using wired-AND logic, OUTA and OUTB can merge into one logic signal.

[Table 1](#) and the [Inputs \(INA+, INB–\)](#) section describe how the outputs are asserted or de-asserted. See [Figure 1](#) for a timing diagram that describes the relationship between threshold voltages and the respective output.

8.3.3 Window Comparator

The inverting and noninverting configuration of the comparators forms a window-comparator detection circuit using a resistor divider network, as shown in [Figure 14](#) and [Figure 15](#). The input terminals can monitor any system voltage above 400 mV with the use of a resistor divider network. The INA+ and INB– terminals monitor for undervoltage and overvoltage conditions, respectively.

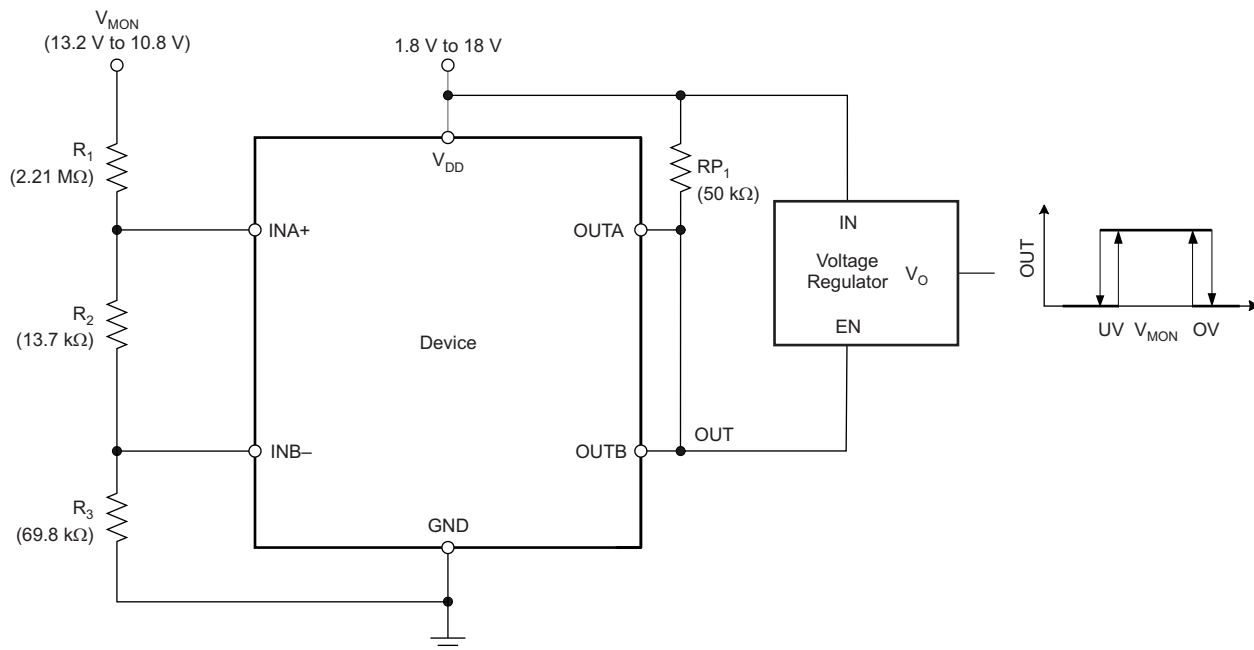


Figure 14. Window Comparator Block Diagram

Feature Description (continued)

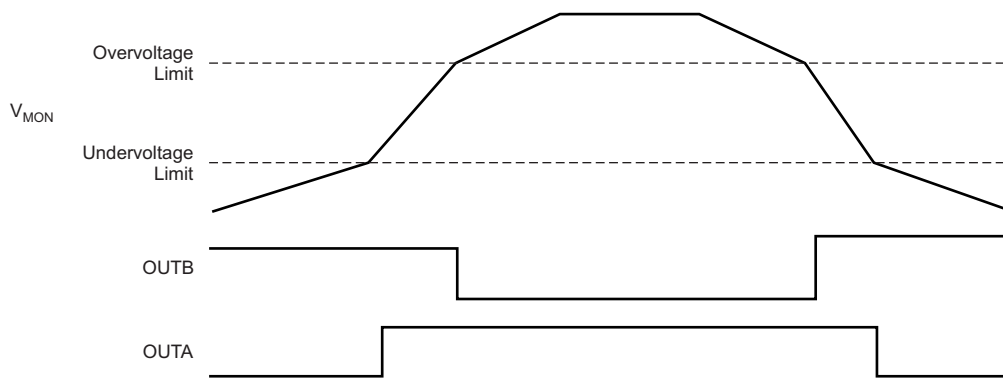


Figure 15. Window Comparator Timing Diagram

8.3.4 Immunity to Input Terminal Voltage Transients

The TPS3700-Q1 device is relatively immune to short voltage transient spikes on the input terminals. Sensitivity to transients is dependent on both transient duration and amplitude; see the *Minimum Pulse Width vs Threshold Overdrive Voltage* curve (Figure 7) in the [Typical Characteristics](#) section.

8.4 Device Functional Modes

The TPS3700-Q1 has a single functional mode, which is on when V_{DD} is greater than 1.8 V.

9 Application and Implementation

9.1 Application Information

The TPS3700-Q1 device is a wide-supply voltage window comparator that operates over a V_{DD} range of 1.8-V to 18-V. The device has two high-accuracy comparators with an internal 400-mV reference and two open-drain outputs rated to 18 V for overvoltage and undervoltage detection. The device can be used either as a window comparator or as two independent voltage monitors. The monitored voltages are set with the use of external resistors.

9.1.1 V_{PULLUP} to a Voltage Other Than V_{DD}

The outputs are often tied to V_{DD} through a resistor. However some applications may require the outputs to be pulled up to a higher or lower voltage than V_{DD} in order to correctly interface with the reset and enable the terminal of other devices.

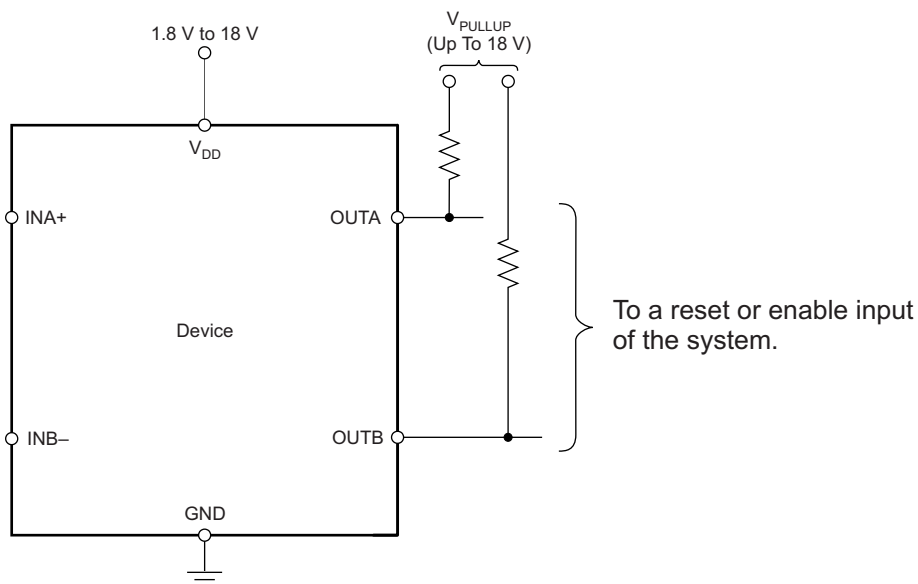


Figure 16. Interfacing to Voltages Other Than V_{DD}

Application Information (continued)

9.1.2 Monitoring V_{DD}

Many applications monitor the same rail that is powering V_{DD} . In these applications the resistor divider is simply connected to the V_{DD} rail.

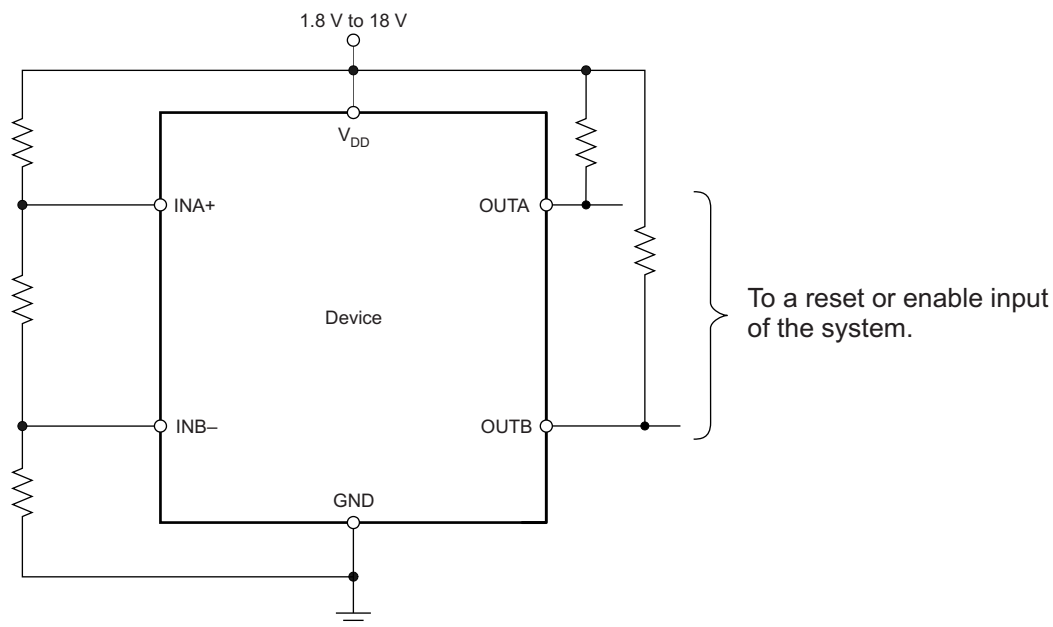
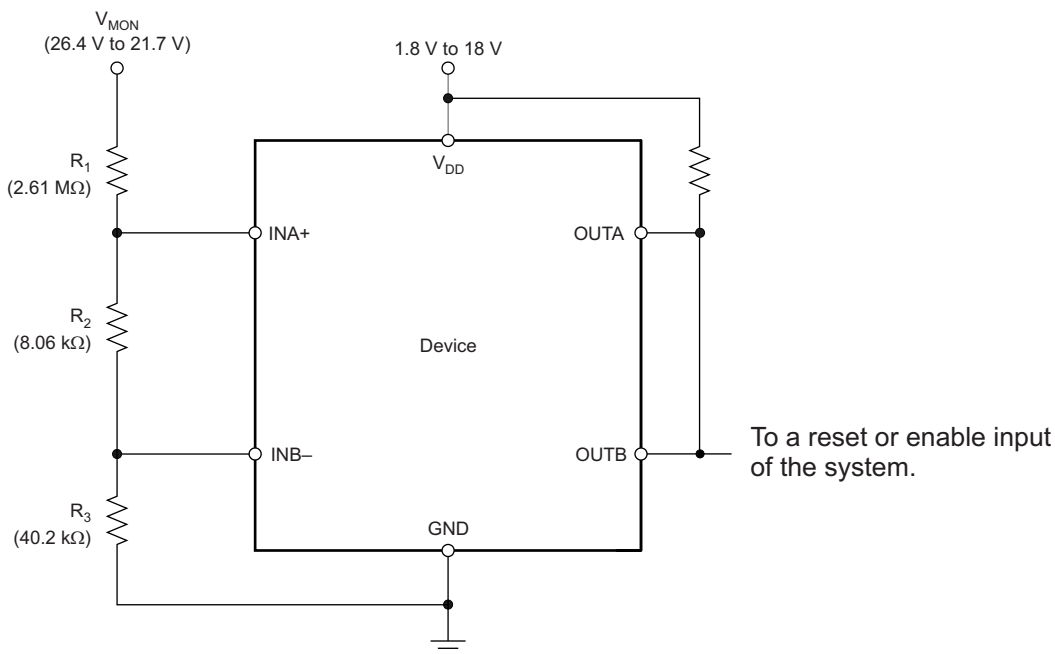


Figure 17. Monitoring the Same Voltage as V_{DD}

9.1.3 Monitoring a Voltage Other Than V_{DD}

Some applications monitor rails other than the one that is powering V_{DD} . In these types of applications the resistor divider used to set the desired thresholds is connected to the rail that is being monitored.

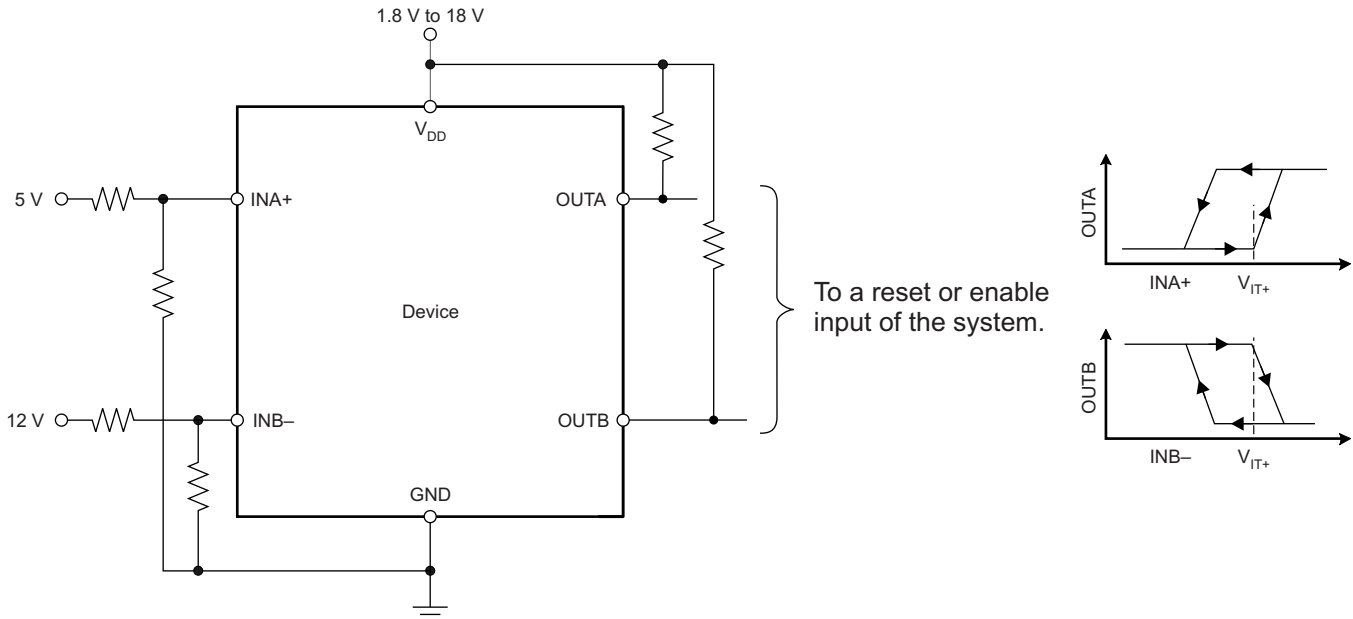


NOTE: The inputs can monitor a voltage higher than V_{DDmax} with the use of an external resistor divider network.

Figure 18. Monitoring a Voltage Other Than V_{DD}

Application Information (continued)
9.1.4 Monitoring Overvoltage and Undervoltage for Separate Rails

Some applications may want to monitor for overvoltage conditions on one rail while also monitoring for undervoltage conditions on a different rail. In those applications two independent resistor dividers will need to be used.



NOTE: In this case, OUTA is driven low when an undervoltage condition is detected at the 5-V rail and OUTB is driven low when an overvoltage condition is detected at the 12-V rail.

Figure 19. Monitoring Overvoltage for One Rail and Undervoltage for a Different Rail

9.2 Typical Application

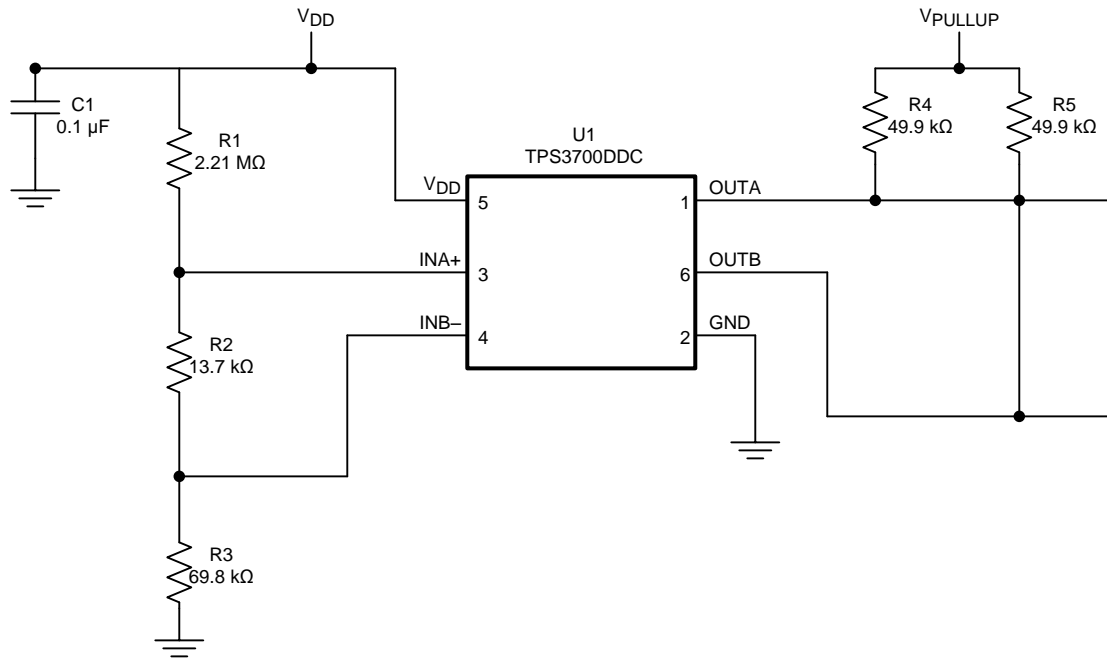


Figure 20. Typical Application Schematic

9.2.1 Design Requirements

9.2.1.1 Input Supply Capacitor

Although an input capacitor is not required for stability, connecting a 0.1-μF low equivalent series resistance (ESR) capacitor across the V_{DD} terminal and GND terminal is good analog design practice. A higher-value capacitor may be necessary if large, fast rise-time load transients are anticipated, or if the device is not located close to the power source.

9.2.1.2 Input Capacitors

Although not required in most cases, for extremely noisy applications, placing a 1-nF to 10-nF bypass capacitor from the comparator inputs (INA+, INB-) to the GND terminal is good analog design practice. This capacitor placement reduces device sensitivity to transients.

9.2.2 Detailed Design Procedure

Use Equation 1 through Equation 4 to calculate the resistor divider values and target threshold voltage.

$$R_T = R_1 + R_2 + R_3 \quad (1)$$

Select a value for R_T such that the current through the divider is approximately 100-times higher than the input current at the INA+ and INB- terminals. The resistors can have high values to minimize current consumption as a result of low-input bias current without adding significant error to the resistive divider. See the application note *Optimizing Resistor Dividers at a Comparator Input (SLVA450)* for details on sizing input resistors.

Use Equation 2 to calculate the value of R₃.

$$R_3 = \frac{R_T}{V_{\text{MON(OV)}}} \times V_{\text{IT+}}$$

where

- V_{MON(OV)} is the target voltage at which an overvoltage condition is detected (2)

Typical Application (continued)

Use Equation 3 or Equation 4 to calculate the value of R_2 .

$$R_2 = \left[\frac{R_T}{V_{MON(\text{no UV})}} \times V_{IT+} \right] - R_3$$

where

- $V_{MON(\text{no UV})}$ is the target voltage at which an undervoltage condition is removed as V_{MON} rises (3)

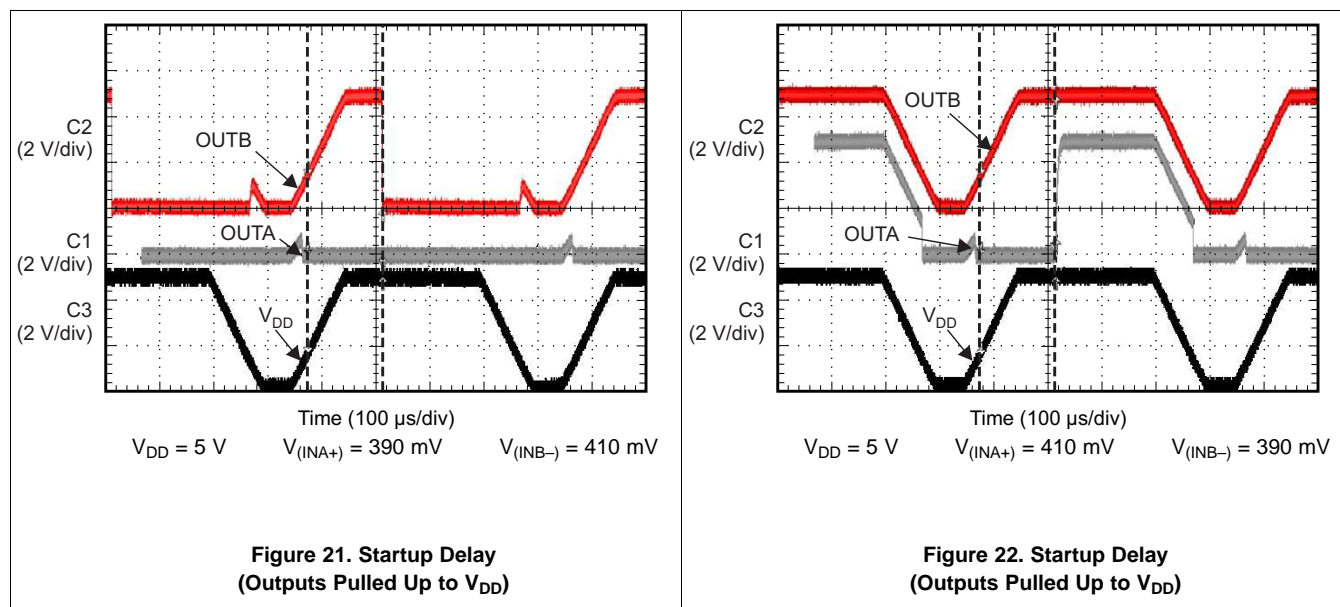
$$R_2 = \left[\frac{R_T}{V_{MON(\text{UV})}} \times (V_{IT+} - V_{hys}) \right] - R_3$$

where:

- $V_{MON(\text{UV})}$ is the target voltage at which an undervoltage condition is detected (4)

9.2.3 Application Curves

$T_J = 25^\circ\text{C}$



10 Power Supply Recommendations

These devices are designed to operate from an input voltage supply range between 1.8 V and 18 V.

11 Layout

11.1 Layout Guidelines

Placing a 0.1- μ F capacitor close to the V_{DD} terminal to reduce the input impedance to the device is good analog design practice. The pullup resistors can be separated if separate logic functions are needed (see Figure 23) or both resistors can be tied to a single pullup resistor if a logical AND function is desired.

11.2 Layout Example

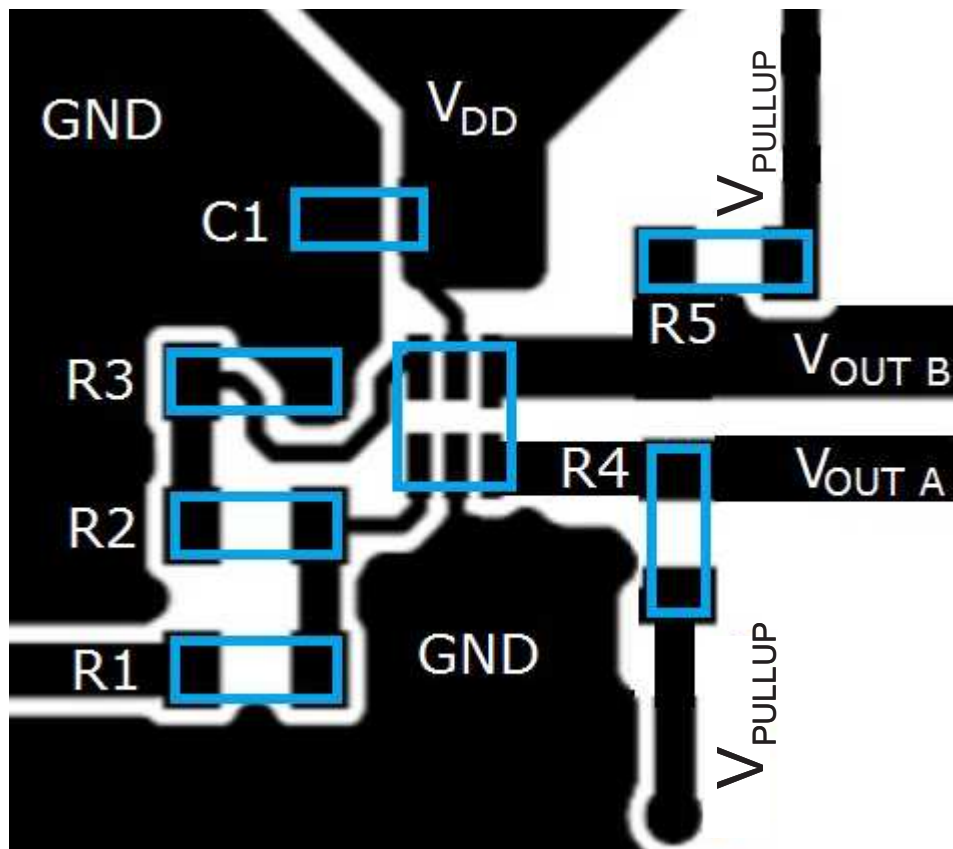


Figure 23. TPS3700-Q1 Layout Example

12 Device and Documentation Support

12.1 Documentation Support

12.1.1 Related Documentation

For related documentation see the following:

- *Using the TPS3700 as a Negative Rail Over- and Undervoltage Detector*, [SLVA600](#)
- *Optimizing Resistor Dividers at a Comparator Input*, [SLVA450](#)
- *TPS3700EVM-114 Evaluation Module*, [SLVU683](#)

12.2 Trademarks

All trademarks are the property of their respective owners.

12.3 Electrostatic Discharge Caution



These devices have limited built-in ESD protection. The leads should be shorted together or the device placed in conductive foam during storage or handling to prevent electrostatic damage to the MOS gates.

12.4 Glossary

[SLYZ022](#) — *TI Glossary*.

This glossary lists and explains terms, acronyms and definitions.

13 Mechanical, Packaging, and Orderable Information

The following pages include mechanical packaging and orderable information. This information is the most current data available for the designated devices. This data is subject to change without notice and revision of this document. For browser-based versions of this data sheet, refer to the left-hand navigation.

PACKAGING INFORMATION

Orderable Device	Status (1)	Package Type	Package Drawing	Pins	Package Qty	Eco Plan (2)	Lead/Ball Finish (6)	MSL Peak Temp (3)	Op Temp (°C)	Device Marking (4/5)	Samples
TPS3700QDDCRQ1	ACTIVE	SOT	DDC	6	3000	Green (RoHS & no Sb/Br)	CU NIPDAU	Level-2-260C-1 YEAR	-40 to 125	PD7Q	Samples

(1) The marketing status values are defined as follows:

ACTIVE: Product device recommended for new designs.

LIFEBUY: TI has announced that the device will be discontinued, and a lifetime-buy period is in effect.

NRND: Not recommended for new designs. Device is in production to support existing customers, but TI does not recommend using this part in a new design.

PREVIEW: Device has been announced but is not in production. Samples may or may not be available.

OBSOLETE: TI has discontinued the production of the device.

(2) Eco Plan - The planned eco-friendly classification: Pb-Free (RoHS), Pb-Free (RoHS Exempt), or Green (RoHS & no Sb/Br) - please check <http://www.ti.com/productcontent> for the latest availability information and additional product content details.

TBD: The Pb-Free/Green conversion plan has not been defined.

Pb-Free (RoHS): TI's terms "Lead-Free" or "Pb-Free" mean semiconductor products that are compatible with the current RoHS requirements for all 6 substances, including the requirement that lead not exceed 0.1% by weight in homogeneous materials. Where designed to be soldered at high temperatures, TI Pb-Free products are suitable for use in specified lead-free processes.

Pb-Free (RoHS Exempt): This component has a RoHS exemption for either 1) lead-based flip-chip solder bumps used between the die and package, or 2) lead-based die adhesive used between the die and leadframe. The component is otherwise considered Pb-Free (RoHS compatible) as defined above.

Green (RoHS & no Sb/Br): TI defines "Green" to mean Pb-Free (RoHS compatible), and free of Bromine (Br) and Antimony (Sb) based flame retardants (Br or Sb do not exceed 0.1% by weight in homogeneous material)

(3) MSL, Peak Temp. - The Moisture Sensitivity Level rating according to the JEDEC industry standard classifications, and peak solder temperature.

(4) There may be additional marking, which relates to the logo, the lot trace code information, or the environmental category on the device.

(5) Multiple Device Markings will be inside parentheses. Only one Device Marking contained in parentheses and separated by a "~" will appear on a device. If a line is indented then it is a continuation of the previous line and the two combined represent the entire Device Marking for that device.

(6) Lead/Ball Finish - Orderable Devices may have multiple material finish options. Finish options are separated by a vertical ruled line. Lead/Ball Finish values may wrap to two lines if the finish value exceeds the maximum column width.

Important Information and Disclaimer: The information provided on this page represents TI's knowledge and belief as of the date that it is provided. TI bases its knowledge and belief on information provided by third parties, and makes no representation or warranty as to the accuracy of such information. Efforts are underway to better integrate information from third parties. TI has taken and continues to take reasonable steps to provide representative and accurate information but may not have conducted destructive testing or chemical analysis on incoming materials and chemicals. TI and TI suppliers consider certain information to be proprietary, and thus CAS numbers and other limited information may not be available for release.

In no event shall TI's liability arising out of such information exceed the total purchase price of the TI part(s) at issue in this document sold by TI to Customer on an annual basis.

OTHER QUALIFIED VERSIONS OF TPS3700-Q1 :

- Catalog: [TPS3700](#)

NOTE: Qualified Version Definitions:

- Catalog - TI's standard catalog product

TAPE AND REEL INFORMATION



QUADRANT ASSIGNMENTS FOR PIN 1 ORIENTATION IN TAPE



*All dimensions are nominal

Device	Package Type	Package Drawing	Pins	SPQ	Reel Diameter (mm)	Reel Width W1 (mm)	A0 (mm)	B0 (mm)	K0 (mm)	P1 (mm)	W (mm)	Pin1 Quadrant
TPS3700QDDCRQ1	SOT	DDC	6	3000	179.0	8.4	3.2	3.2	1.4	4.0	8.0	Q3

TAPE AND REEL BOX DIMENSIONS

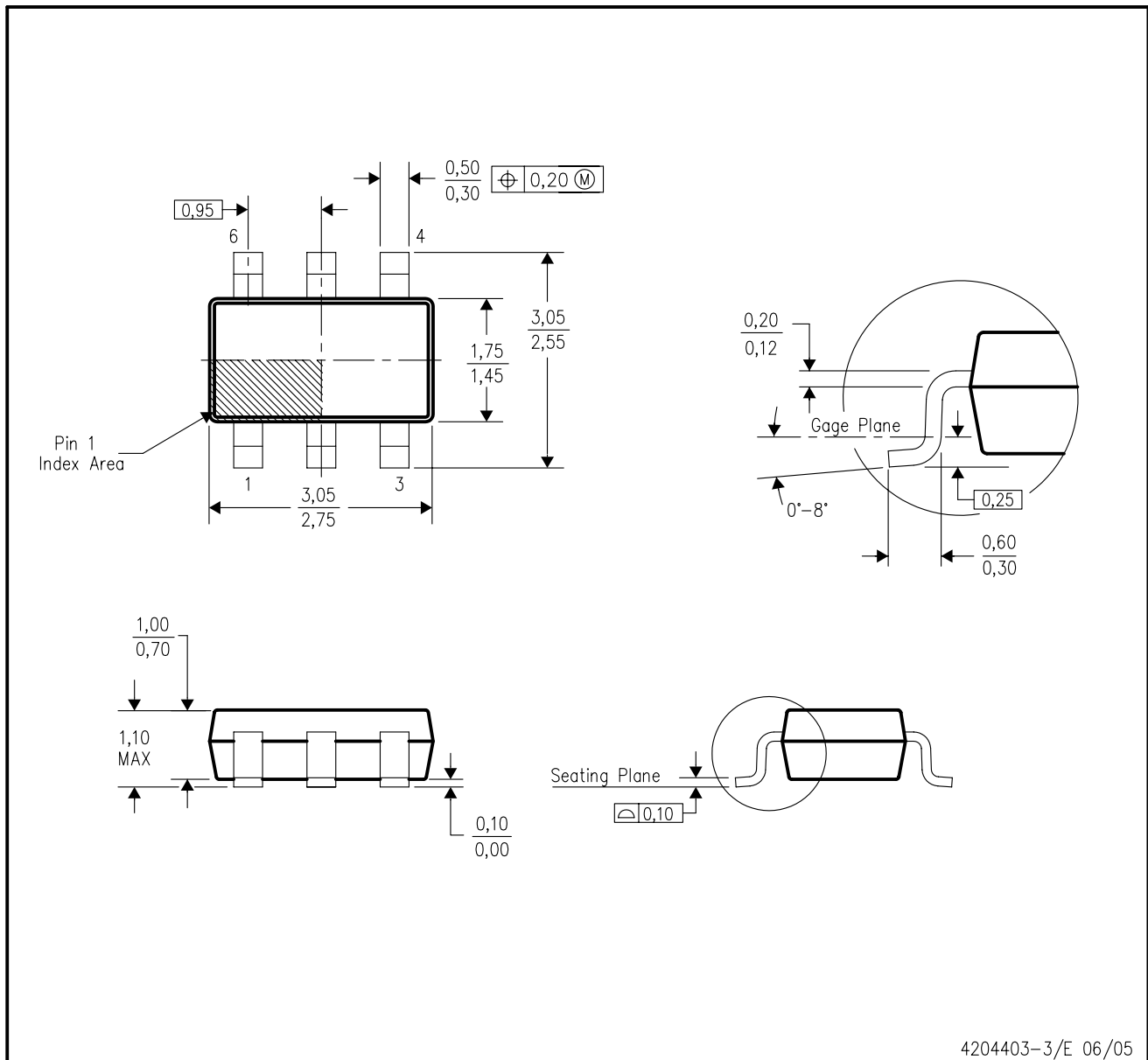


*All dimensions are nominal

Device	Package Type	Package Drawing	Pins	SPQ	Length (mm)	Width (mm)	Height (mm)
TPS3700QDDCRQ1	SOT	DDC	6	3000	195.0	200.0	45.0

DDC (R-PDSO-G6)

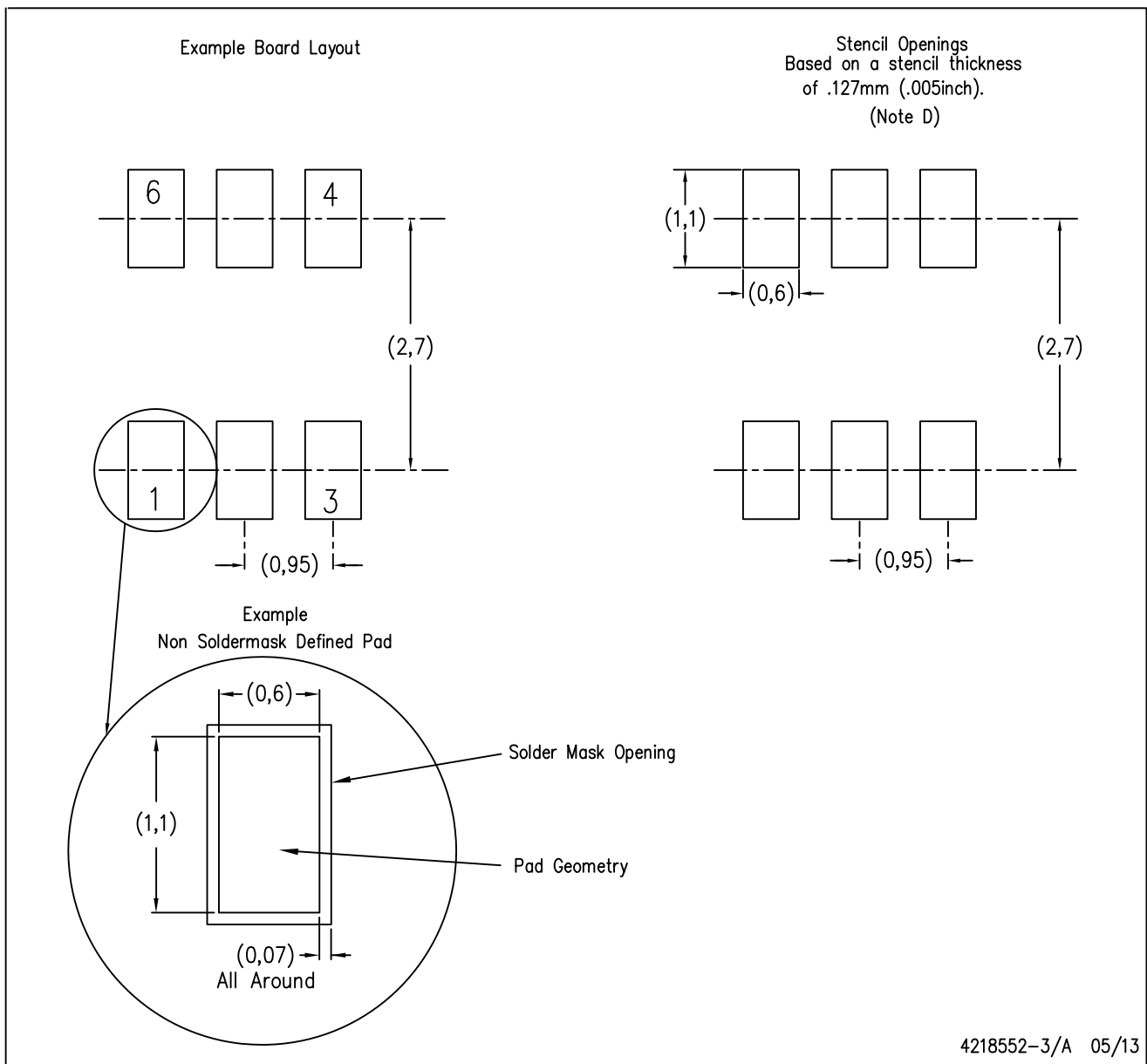
PLASTIC SMALL-OUTLINE



- NOTES:
- All linear dimensions are in millimeters.
 - This drawing is subject to change without notice.
 - Body dimensions do not include mold flash or protrusion.
 - Falls within JEDEC MO-193 variation AA (6 pin).

DDC (R-PDSO-G6)

PLASTIC SMALL OUTLINE



- NOTES:
- A. All linear dimensions are in millimeters.
 - B. This drawing is subject to change without notice.
 - C. Publication IPC-7351 is recommended for alternate designs.
 - D. Laser cutting apertures with trapezoidal walls and also rounding corners will offer better paste release. Customers should contact their board assembly site for stencil design recommendations. Example stencil design based on a 50% volumetric metal load solder paste. Refer to IPC-7525 for other stencil recommendations.

IMPORTANT NOTICE

Texas Instruments Incorporated and its subsidiaries (TI) reserve the right to make corrections, enhancements, improvements and other changes to its semiconductor products and services per JESD46, latest issue, and to discontinue any product or service per JESD48, latest issue. Buyers should obtain the latest relevant information before placing orders and should verify that such information is current and complete. All semiconductor products (also referred to herein as "components") are sold subject to TI's terms and conditions of sale supplied at the time of order acknowledgment.

TI warrants performance of its components to the specifications applicable at the time of sale, in accordance with the warranty in TI's terms and conditions of sale of semiconductor products. Testing and other quality control techniques are used to the extent TI deems necessary to support this warranty. Except where mandated by applicable law, testing of all parameters of each component is not necessarily performed.

TI assumes no liability for applications assistance or the design of Buyers' products. Buyers are responsible for their products and applications using TI components. To minimize the risks associated with Buyers' products and applications, Buyers should provide adequate design and operating safeguards.

TI does not warrant or represent that any license, either express or implied, is granted under any patent right, copyright, mask work right, or other intellectual property right relating to any combination, machine, or process in which TI components or services are used. Information published by TI regarding third-party products or services does not constitute a license to use such products or services or a warranty or endorsement thereof. Use of such information may require a license from a third party under the patents or other intellectual property of the third party, or a license from TI under the patents or other intellectual property of TI.

Reproduction of significant portions of TI information in TI data books or data sheets is permissible only if reproduction is without alteration and is accompanied by all associated warranties, conditions, limitations, and notices. TI is not responsible or liable for such altered documentation. Information of third parties may be subject to additional restrictions.

Resale of TI components or services with statements different from or beyond the parameters stated by TI for that component or service voids all express and any implied warranties for the associated TI component or service and is an unfair and deceptive business practice. TI is not responsible or liable for any such statements.

Buyer acknowledges and agrees that it is solely responsible for compliance with all legal, regulatory and safety-related requirements concerning its products, and any use of TI components in its applications, notwithstanding any applications-related information or support that may be provided by TI. Buyer represents and agrees that it has all the necessary expertise to create and implement safeguards which anticipate dangerous consequences of failures, monitor failures and their consequences, lessen the likelihood of failures that might cause harm and take appropriate remedial actions. Buyer will fully indemnify TI and its representatives against any damages arising out of the use of any TI components in safety-critical applications.

In some cases, TI components may be promoted specifically to facilitate safety-related applications. With such components, TI's goal is to help enable customers to design and create their own end-product solutions that meet applicable functional safety standards and requirements. Nonetheless, such components are subject to these terms.

No TI components are authorized for use in FDA Class III (or similar life-critical medical equipment) unless authorized officers of the parties have executed a special agreement specifically governing such use.

Only those TI components which TI has specifically designated as military grade or "enhanced plastic" are designed and intended for use in military/aerospace applications or environments. Buyer acknowledges and agrees that any military or aerospace use of TI components which have **not** been so designated is solely at the Buyer's risk, and that Buyer is solely responsible for compliance with all legal and regulatory requirements in connection with such use.

TI has specifically designated certain components as meeting ISO/TS16949 requirements, mainly for automotive use. In any case of use of non-designated products, TI will not be responsible for any failure to meet ISO/TS16949.

Products

Audio	www.ti.com/audio
Amplifiers	amplifier.ti.com
Data Converters	dataconverter.ti.com
DLP® Products	www.dlp.com
DSP	dsp.ti.com
Clocks and Timers	www.ti.com/clocks
Interface	interface.ti.com
Logic	logic.ti.com
Power Mgmt	power.ti.com
Microcontrollers	microcontroller.ti.com
RFID	www.ti-rfid.com
OMAP Applications Processors	www.ti.com/omap
Wireless Connectivity	www.ti.com/wirelessconnectivity

Applications

Automotive and Transportation	www.ti.com/automotive
Communications and Telecom	www.ti.com/communications
Computers and Peripherals	www.ti.com/computers
Consumer Electronics	www.ti.com/consumer-apps
Energy and Lighting	www.ti.com/energy
Industrial	www.ti.com/industrial
Medical	www.ti.com/medical
Security	www.ti.com/security
Space, Avionics and Defense	www.ti.com/space-avionics-defense
Video and Imaging	www.ti.com/video

TI E2E Community

e2e.ti.com