

AFBR-3950xxRZ

High Voltage Galvanic Insulation Link for DC to 50MBaud



Data Sheet



Description

Avago Technologies' AFBR-3950xxRZ is a high voltage galvanic insulation link for DC to 50 MBaud. The AFBR-3950xxRZ consists of an optical transmitter and receiver operating at 650nm wavelength. Pin to pin distance of approximately 25 to 101 mm provides transient voltage suppression in the range of 15kV to 50kV.

Applications

- Drives/Inverters
- Galvanic insulation on one single PCB
- Medium Voltage Power Distributions
- Regulated Distribution Transformers
- Smart Grid on-board Insulations

Ordering Information

Part Number	Length	mm	Voltage Suppression
AFBR-395025RZ	1 inch	25	15kV
AFBR-395050RZ	2 inch	50.4	27kV
AFBR-395075RZ	3 inch	75.8	40kV
AFBR-395000RZ	4 inch	101.2	50kV

Features

- Data transmission at signal rates of DC to 50MBaud
- DC coupled transmitter and receiver with CMOS/TTL input-output for easy designs: no data encoding or digitizing circuitry required
- High noise immunity through receiver IC with integrated photodiode
- RoHS compliant
- Transient voltage suppression in the range of 15kV up to 50kV according IEC 60644
- Laser class 1 according to IEC-60825
- Tested according to IEC-60747-5-5
- Housing Material UL-V0 with CTI \geq 600
- Optional 3.3V or 5V power supply

AFBR-3950xxRZ DC to 5MBaud Data Link

Absolute Maximum Ratings

Parameter	Symbol	Min.	Max.	Units
Signaling Rate	f_s	DC	50	MBd
Storage and Operating Temperature	$T_{S,O}$	-40	+85	°C
Receiver Supply Voltage	V_{CCRx}	-0.5	+5.5	V
Receiver Supply Current	I_{CCRx}		30	mA
Receiver Output Current	I_{OAV}		10	mA
Transmitter Supply Voltage	V_{CCTx}	-0.5	+5.5	V
Transmitter Supply Current	I_{CCTx}		31	mA
Transmitter Reverse Input Voltage	V_R		3	V
Lead Soldering Cycle ^[1, 2]	Temp		+260	°C
	Time		10	sec

Notes:

1. 1.6mm below seating plane; wave soldering only
2. MSL class 3

Attention

Stresses above those listed here may cause permanent damage to the device. Exposure to absolute maximum rating conditions for extended periods may affect device reliability.

Recommended Operating Conditions

Parameter	Symbol	Min.	Max.	Units
Ambient Temperature	T_A	-40	85	°C
Receiver Power Supply Voltage ^[1]	V_{CCRx}	3.135	3.465	V
		4.75	5.25	
Transmitter Supply Voltage	V_{CCTx}	3.135	3.465	V
		4.75	5.25	
Signaling Rate	f_s	DC	50	MBd

Notes:

1. <100mV_{p-p} Noise

All the data in this specification refers to the operating conditions above and over lifetime unless otherwise stated.

Insulation Characteristics

Parameter	Symbol	Min.	Max.	Units
Apparent charge at Sample Test stage and Type Test stage after subgroup 1 (method a) [1]	q _{pd}		5	pC
Apparent charge at Routine Test stage and Type Test stage, Preconditioning (method b) [2]	q _{pd}		5	pC
Maximum Transient Voltage, peak [3]	V _{IOTM_1inch} V _{IOTM_2inch} V _{IOTM_3inch} V _{IOTM_4inch}	15 27 40 50		kV
Maximum Transient Voltage, effective [3]	V _{ISO_1inch} V _{ISO_2inch} V _{ISO_3inch} V _{ISO_4inch}	10.5 19 28.1 35.2		kV
Maximum Working Voltage, peak [4]	V _{IORM_1inch} V _{IORM_2inch} V _{IORM_3inch} V _{IORM_4inch}	4.25 8.5 12.75 17.00		kV
Maximum Working Voltage, effective [4]	V _{IOWM_1inch} V _{IOWM_2inch} V _{IOWM_3inch} V _{IOWM_4inch}	3 6 9 12		kV
Insulation Resistance @ T _{amb,max} , min.100°C	R _{IO}	10 ¹¹		Ω
Insulation Resistance @ T _S	R _{IO}	10 ⁹		Ω
Creepage Distance	1inch 2inch 3inch 4inch	25 50.4 75.8 101.2		mm
Clearance Distance	1inch 2inch 3inch 4inch	25 50.4 75.8 101.2		mm
Surge Isolation Voltage	V _{IOSM}	12		kV
Comparative Tracking Index	CTI	600		
Pollution degree [5]		2		
Climatic category [6]		40/085/21		
Maximum ambient Safety temperature	T _S	110		°C
Maximum input current	I _{SI}	60		mA
Maximum output current	I _{SO}	30		mA
Maximum input power dissipation	P _{SI}	330		mW
Maximum output power dissipation	P _{SO}	165		mW

Notes:

1. $V_{pd(m)} = 1.6 \times V_{IORM}$ (=6.8kV for 1inch, =13.6kV for 2inch, =20.4kV for 3inch, =27.2kV for 4inch), $V_{ini,a} = V_{IOTM}$, $t_{ini,a} = 60s$; $t_m = 10s$
2. $V_{pd(m)} = 1.875 \times V_{IORM}$ (=8kV for 1inch, =16kV for 2inch, =24kV for 3inch, =32kV for 4inch), $V_{ini,b} = V_{IOTM}$, $t_{ini,b} = 1s$; $t_m = 1s$
3. Altitude up to 2000m above sea level
4. Pollution degree 2; please note that inhomogeneous field conditions may lead to partial discharge through air for these voltages
5. According IEC-60064-1
6. According IEC-60068-1

Electrical Input Characteristics

Parameter	Symbol	Min.	Typ.	Max.	Units
Input Voltage Low	V_{IL}			0.8	V
Input Voltage High ^[1]	V_{IH}	2		V_{CCTx}	V
Input Capacitance	C_{IN}			7	pF
Input Resistance	R_{IN}	10			k Ω

Notes:

1. Duty Cycle shall be 50% at 1.5V

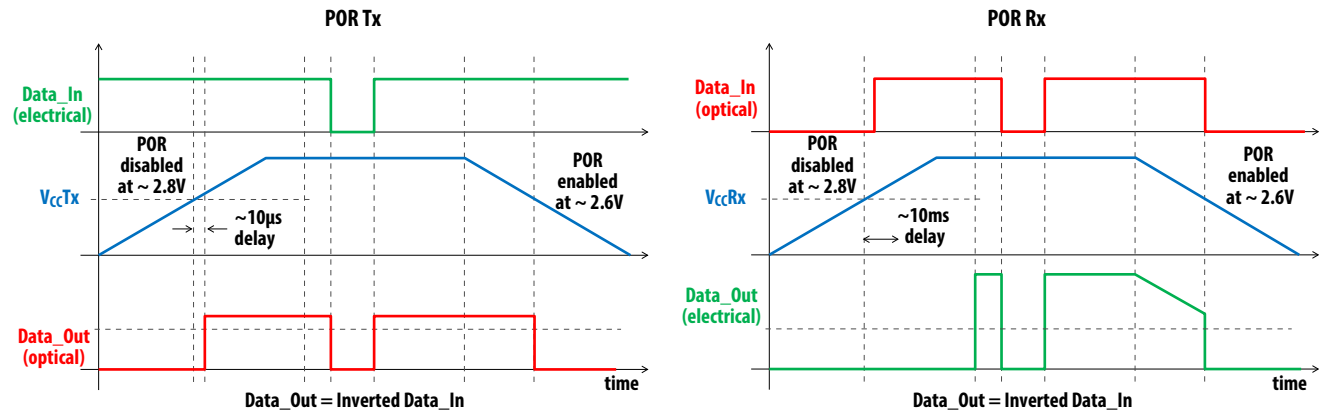
Electrical Output Signal Characteristics

Parameter	Symbol	Min.	Typ.	Max.	Units
High Level Output Voltage	V_{OH}	2.5	V_{CCRx}	$V_{CCRx} + 0.3$	V
Low Level Output Voltage	V_{OL}			0.4	V
Output Risetime (10-90%) ^[1]	t_r			5	ns
Output Falltime (90-10%) ^[1]	t_f			5	ns
Power Supply Noise Immunity	PSNI	0.1	0.4		Vpp
Vcc level to deactivate POR ^[2]	V_{POR_DEACT}		2.8		V
Vcc level to activate POR ^[2]	V_{POR_ACT}		2.6		V
POR deactivate delay time ^[2, 3]	$t_{POR_DEACT_DEL}$		10		ms

Notes:

1. $C_L = 15p$, $R_L = 50k\Omega$ F

2. A Power-on reset (POR) is both implemented at the Transmitter and the Receiver. It is active below V_{POR_DEACT} . Once V_{POR_DEACT} is reached the POR remains active for $t_{POR_DEACT_DEL}$. During power down POR starts at V_{POR_ACT} . During active POR the output signal is low. V_{POR_DEACT} and V_{POR_ACT} both apply to Tx and Rx, $t_{POR_DEACT_DEL}$ POR applies only for the Rx. The delay time of the Tx is typically $\sim 10\mu s$.



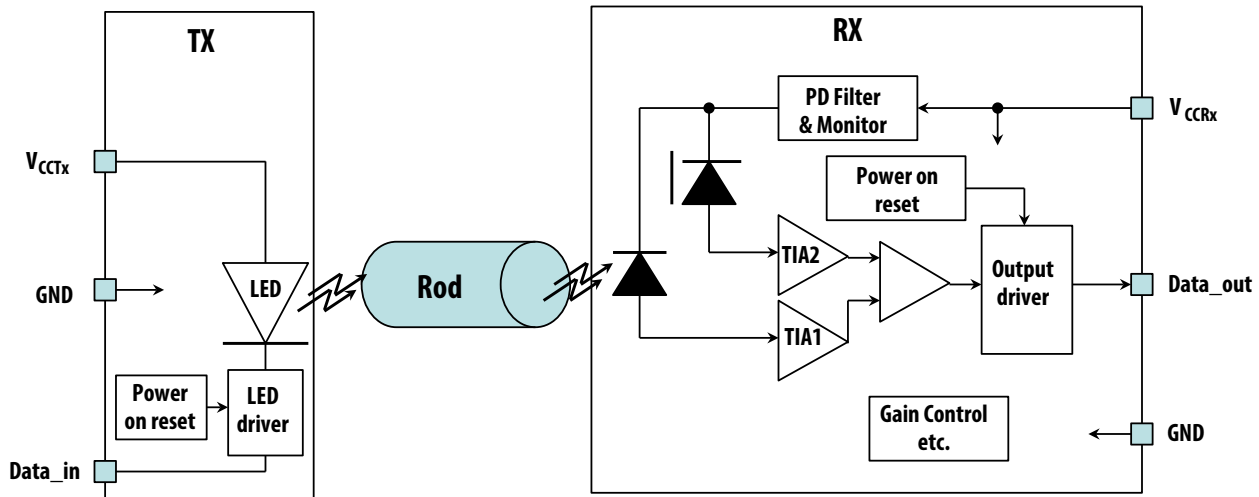
Specified Link Performance, $T_A = -40^{\circ}\text{C}$ to $+85^{\circ}\text{C}$, DC to 5MBaud, unless otherwise noted.

Parameter	Symbol	Min.	Typ	Max.	Unit	Condition
Signaling Rate	f_S	DC		50	MBd	NRZ
Pulse Width Distortion [1]	PWD	-5		+8	ns	50MBaud
Propagation Delay [2]	t_D			50	ns	50MBaud
Skew [3]	t_S			5	ns	50MBaud
Supply Current Tx [4]	I_{CCTx}		20	31	mA	50Mbaud
Supply Current Rx [4]	I_{CCRx}		17	30	mA	50MBaud

Notes:

1. Provided the following characteristics of the electrical input:
 - a) no PWD at 1.5V input level
 - b) dU/dt between 1V and 2V is less than 1V/ns
2. Determined from 1.5V of the rising edge of Data_In to 50% of the rising edge of Data_Out
3. The t_D variation between multiple devices measured for same input conditions and same external signal delay
4. Depends on Supply Voltage and Signal Rate

Block Diagram - AFBR-3950xxRZ



A low Input signal at $Data_{in}$ results in a low output signal at $Data_{out}$.

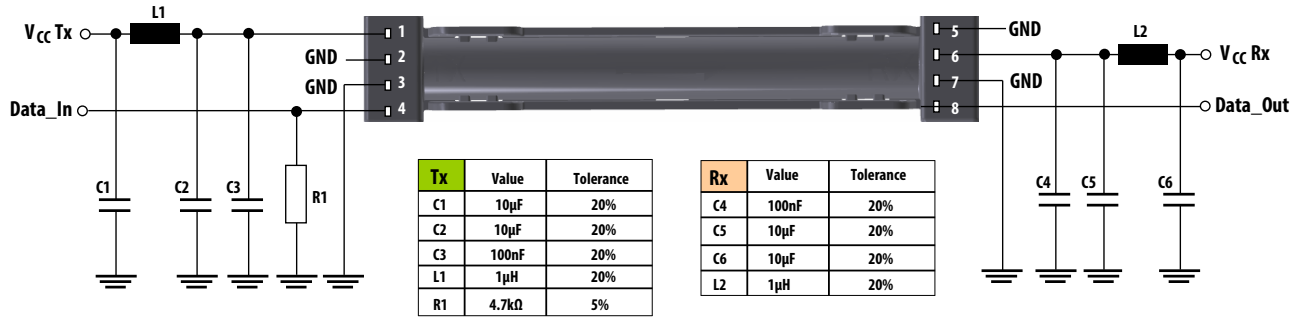
POR remains active during VCC power up, typically until $10\mu s$ for Tx and 10ms for Rx after 2.8V is reached. For both Tx and Rx $Data_{out}$ is low while POR active.

Recommended chemicals for Cleaning/Degreasing

- Alcohols: methyl, isopropyl, isobutyl.
- Aliphatics: hexane, heptanes
- Other: soap solution, naphtha

Do not use partially halogenated hydrocarbons such as 1.1.1 trichloroethane, ketones such as MEK, acetone, chloroform, ethyl acetate, methylene dichloride, phenol, methylene chloride, or N-methylpyrrolidone. Also, Avago does not recommend the use of cleaners that use halogenated hydrocarbons because of their potential environmental harm.

Recommended Drive Circuit (a) – Top View



Pin Description

Pin number	Transmitter	Pin number	Receiver
1	V _{CC} Tx	5	No function ^[1]
2	No function ^[1]	6	V _{CC} Rx
3	GND	7	GND
4	Data_in	8	Data_out

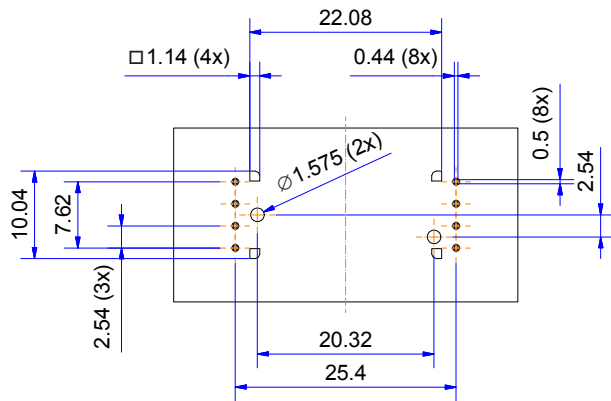
Notes:

1. It is recommended to connect this pin to signal ground

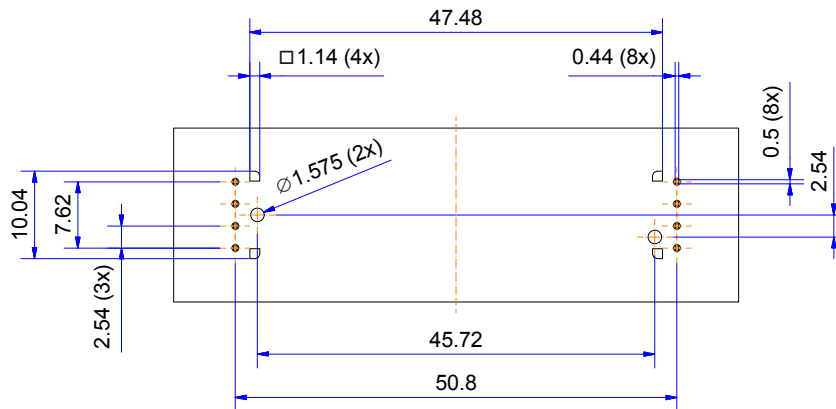
Footprint (Top View)

Dimensions in mm

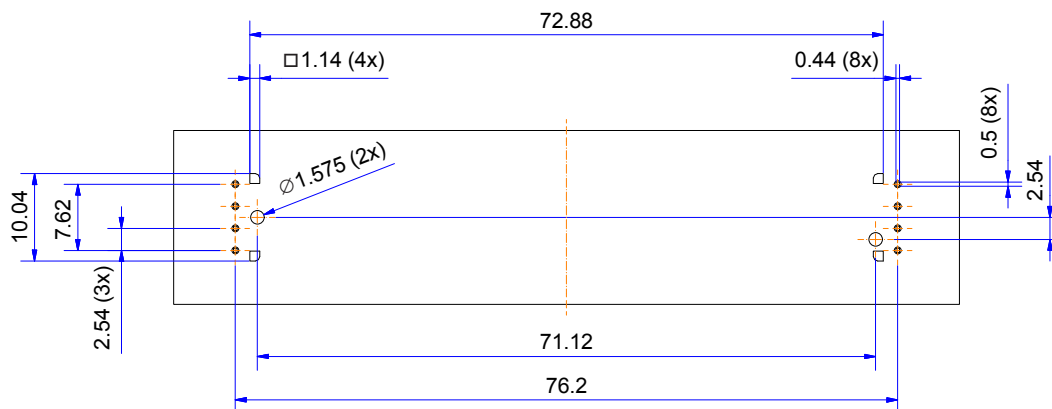
AFBR-395025RZ



AFBR-395050RZ



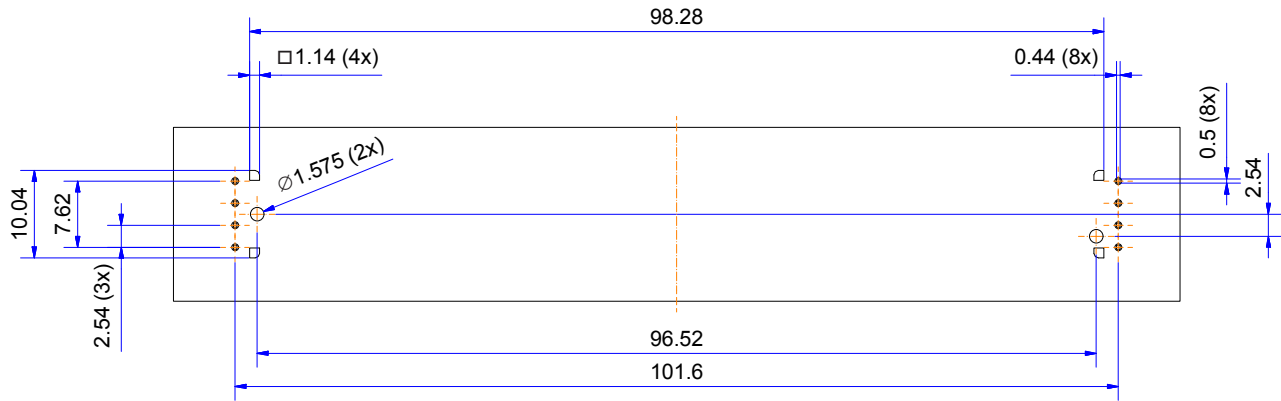
AFBR-395075RZ



Footprint (Top View)

Dimensions in mm

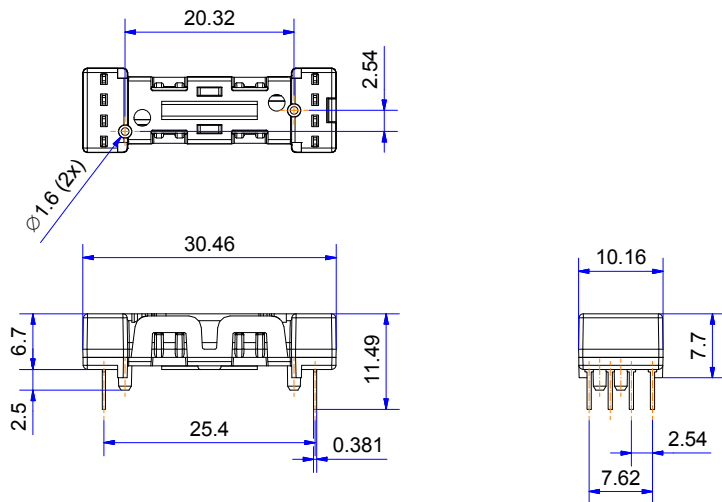
AFBR-395000RZ



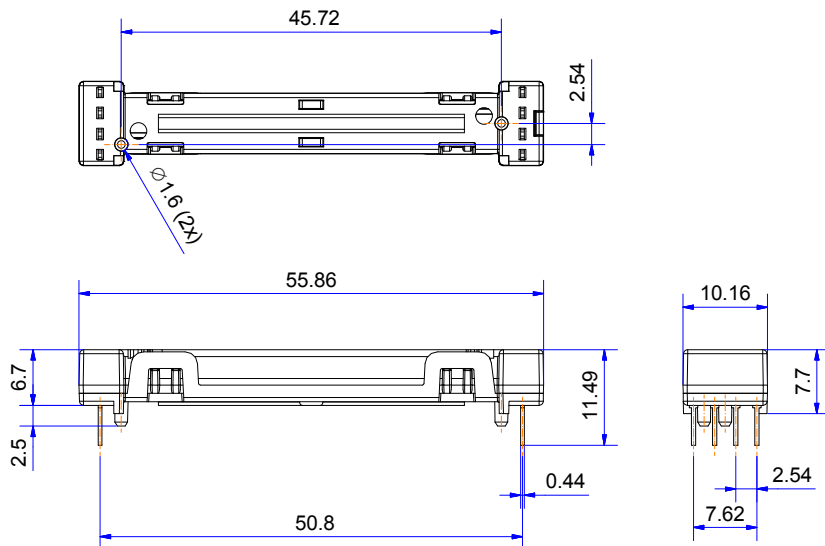
Mechanical Dimensions

Dimensions in mm

AFBR-395025RZ



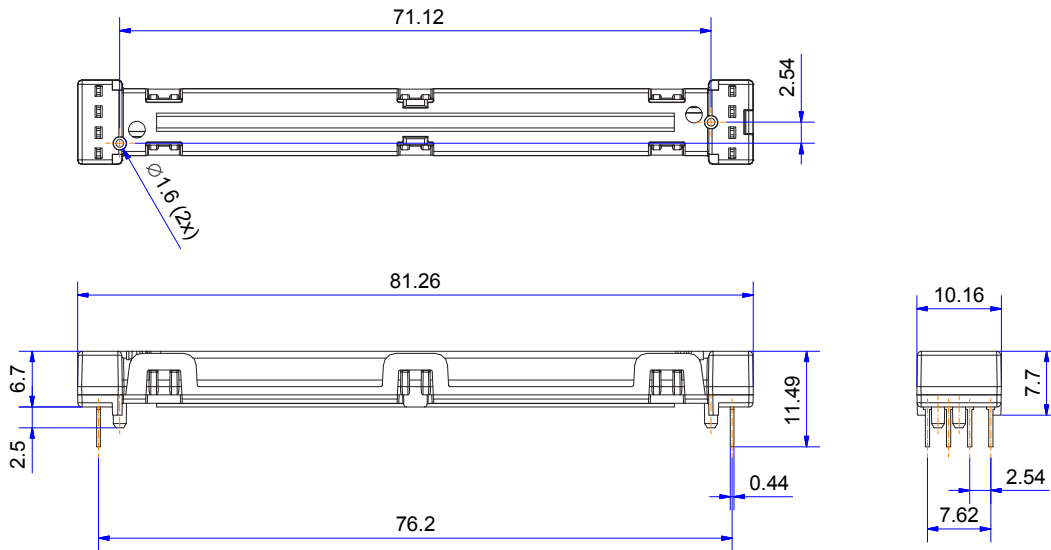
AFBR-395050RZ



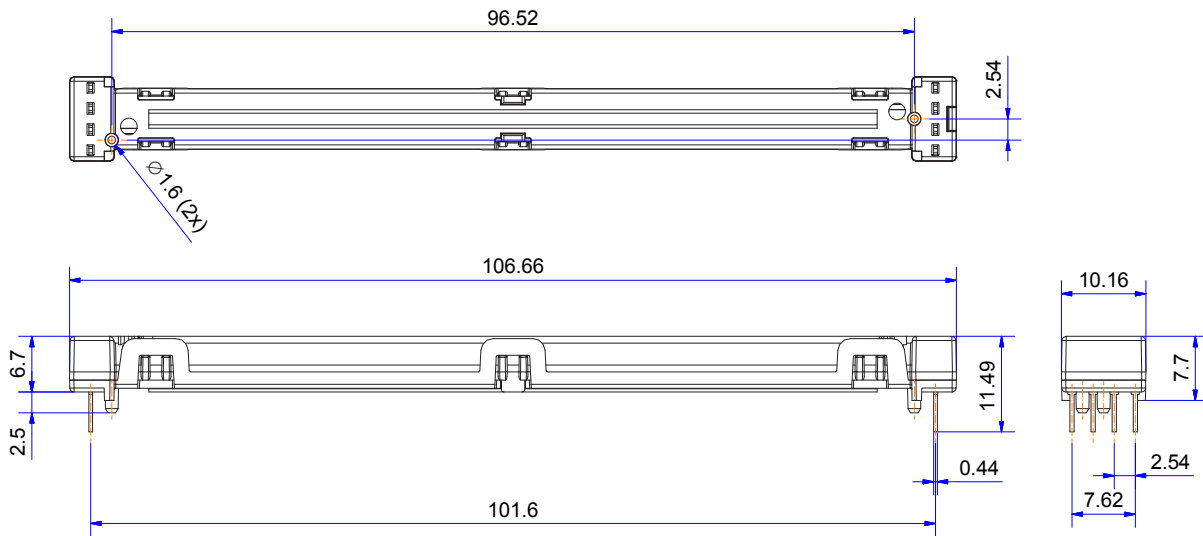
Mechanical Dimensions

Dimensions in mm

AFBR-395075RZ



AFBR-395000RZ



IMPORTANT NOTE:

AFBR-3950xxRZ devices must not be bent under any circumstances.

For product information and a complete list of distributors, please go to our web site: www.avagotech.com

Avago, Avago Technologies, and the A logo are trademarks of Avago Technologies in the United States and other countries. Data subject to change. Copyright © 2005-2015 Avago Technologies. All rights reserved. AV02-4884EN - April 2, 2015

AVAGO
TECHNOLOGIES