

Your configuration

Part number*: B72EB577ECAB

Consists of:

Motor - DCX22L GB KL 9V

maxon motor

driven by precision

maxon motor worldwide

http://www.maxonmotor.com/maxon/view/content/contact_page

E-Mail: e-shop@maxonmotor.com

Internet: www.maxonmotor.com

Total price	CHF 190.00	1-4 Pieces
	CHF 166.10	5-19 Pieces
	CHF 142.10	20-49 Pieces

After an order is placed at the e-shop, the product is manufactured in Switzerland and shipped from the factory within 11 days.

General Terms and Conditions: http://www.maxonmotor.com/maxon/view/content/terms_and_conditions_page

Interactive 3D model

Click on the icon to activate your 3D model



Your configuration can be viewed here:

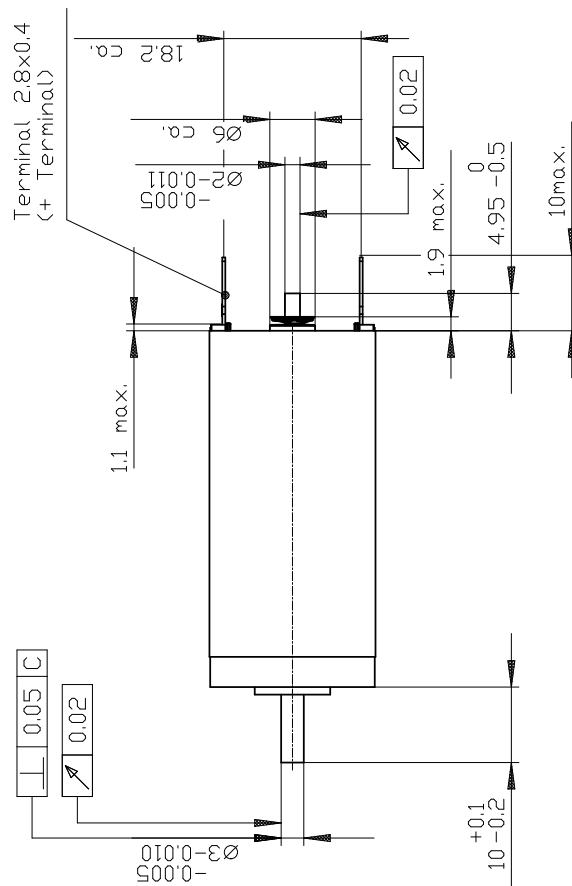
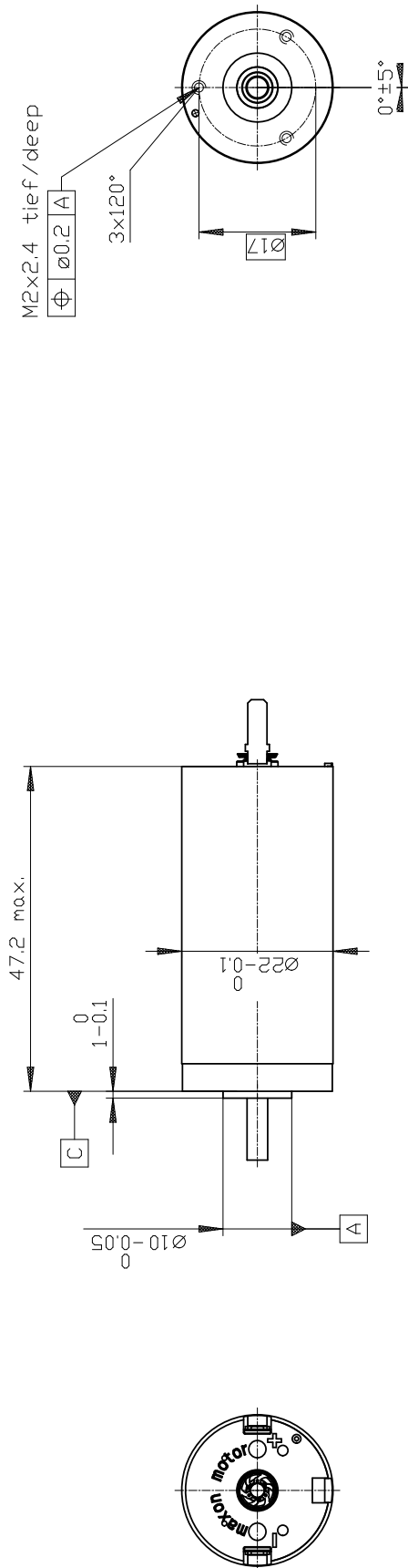
<http://www.maxonmotor.com/maxon/view/configurator/?ConfigID=B72EB577ECAB>

*If the link doesn't work, you can open your configuration with the part number from the catalog.

Attachments / CAD files

Please double click with left mouse button on a pushpin symbol to open a file. You could also save a file when you click the symbol with the right mouse button.

B72EB577ECAB.stp (STP AP 214)



Summary of your selected configuration

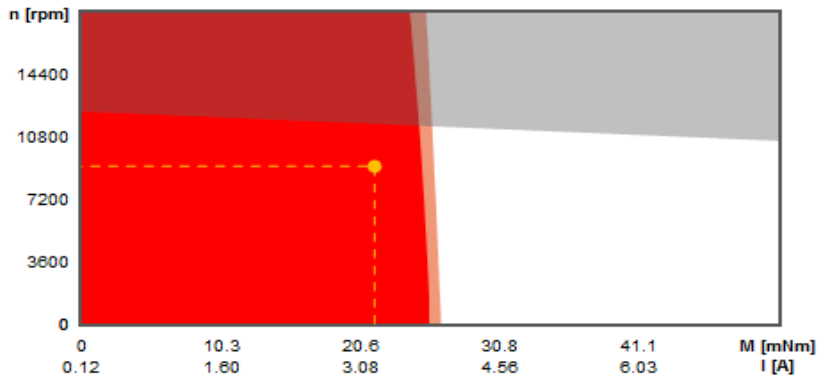
Motor - DCX22L GB KL 9V

Total weight of the drive: 95 g

Functions	
Commutation	Graphite brushes
Supply voltage	Nominal voltage 9 V
Motor bearings	Preloaded ball bearing
Form and Fit	
Flange, front	Standard flange
Pitch circle diameter TK	17 mm
Centering diameter Z	10 mm
Thread diameter	M2
Amount of threads	3
Shaft, front	straight
Shaft length L1	10 mm
Flange, rear	No flange
Shaft, rear	straight
Shaft length L1	4.95 mm
Electrical connection, motor	Terminal
Connection orientation (motor)	0 degree
Add-ons	
Labeling	Standard labeling
EMI Filter	no suppression

(*) These values have been changed through the configuration.

Drive disposition



	Continuous operation range		Out of voltage range
	Short-term operating range		Selected operating point
	Continuous operation range at reduced thermal resistance R_{th2} 50%		

Uw invoer

Available voltage	9 V
Speed	9120 rpm
Torque	22 mNm

Values of the drive at available voltage

Available voltage	9 V
Max. load speed	11608 rpm
Max. continuous torque	27 mNm
Max. continuous current	4 A

Required electrical data for you operating point

Speed	9120 rpm
Torque	22 mNm
Required voltage	7.2 V
Required current	3.23 A

Motor - DCX22L GB KL 9V



Values at nominal voltage

Nominal voltage	9 V
No load speed	12300 rpm
No load current	118 mA
Nominal speed	11400 rpm
Nominal torque (max. continuous torque)	27 mNm
Nominal current (max. continuous current)	4 A
Stall torque	371 mNm
Stall current	53.4 A
Max. efficiency	90.6 %

Characteristics

Max. output power	45.6 W
Terminal resistance	0.168 Ohm
Terminal inductance	0.0177 mH
Torque constant	6.95 mNm/A
Speed constant	1370 rpm/V
Speed/torque gradient	33.3 rpm/mNm
Mechanical time constant	3.27 ms
Rotor inertia	9.37 gcm ²

Thermal data

Thermal resistance housing-ambient	13.6 K/W
Thermal resistance winding-housing	4.57 K/W
Thermal time constant of the winding	22.3 s
Thermal time constant of the motor	646 s
Ambient temperature	-40..100 °C
Max. winding temperature	125 °C

Mechanical data

Max. permissible speed	18000 rpm
Min. axial play	0 mm
Max. axial play	0.1 mm
Radial backlash	0.02 mm
Max. axial load (dynamic)	2.5 N
Max. force for press fits (static)	30 N
Max. radial load	16 N

Further specifications

Number of pole pairs	1
Number of commutator segments	9
Weight	95 g
Number of autoclave cycles	0
Typical noise level	52 dBA

Information about motor data: http://www.maxonmotor.com/medias/CMS_Downloads/DIVERSES/12_049_EN.pdf

The following controllers are available for this drive:

Note: Please use this part number to order in the online catalog .



ESCON 36/2 DC
Part no.403112



ESCON 50/5
Part no.409510



ESCON Module 50/5
Part no.438725