

RAM Mapping 32×4 LCD Controller for I/O MCU

Features

- Logic operating voltage: 2.4V~3.3V
- LCD voltage: 3.6V~4.9V
- Low operating current <3μA at 3V
- External 32.768kHz crystal oscillator
- Selection of 1/2 or 1/3 bias, and selection of 1/2 or 1/3 or 1/4 duty LCD applications
- Internal time base frequency sources
- Two selectable buzzer frequencies (2kHz/4kHz)
- Built-in capacitor type bias charge pump
- Time base or WDT overflow output
- 8 kinds of time base/WDT clock source
- 32×4 LCD driver
- Built-in 32×4-bit display RAM
- 3-wire serial interface
- Internal LCD driving frequency source
- Software configuration feature
- R/Wy address auto increment
- Data mode and command mode instructions
- Three data accessing modes
- 64-pin LQFP package

General Description

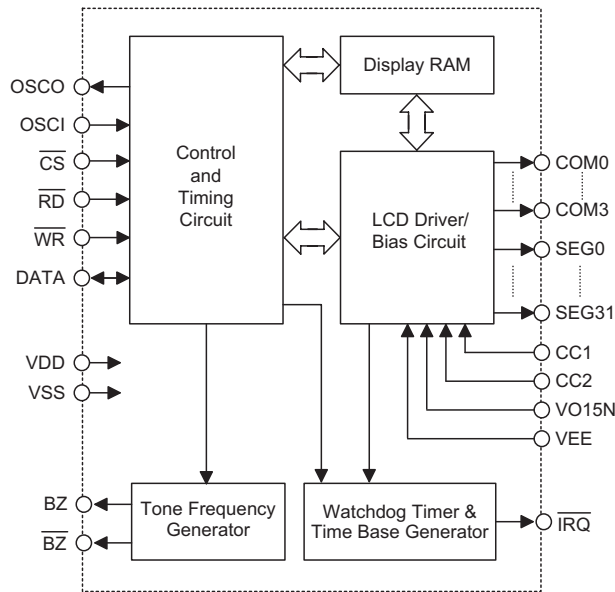
The HT1620 is a 128 pattern (32×4), memory mapping, and multi-function LCD driver. The S/W configuration feature of the HT1620 makes it suitable for multiple LCD applications including LCD modules and display sub-systems. Only three or four lines are required for the in-

terface between the host controller and the HT1620. The HT1620 consumes low operating current owing to adopting capacitor type bias charge pump. The HT162X series have many kinds of products that match various applications.

Selection Table

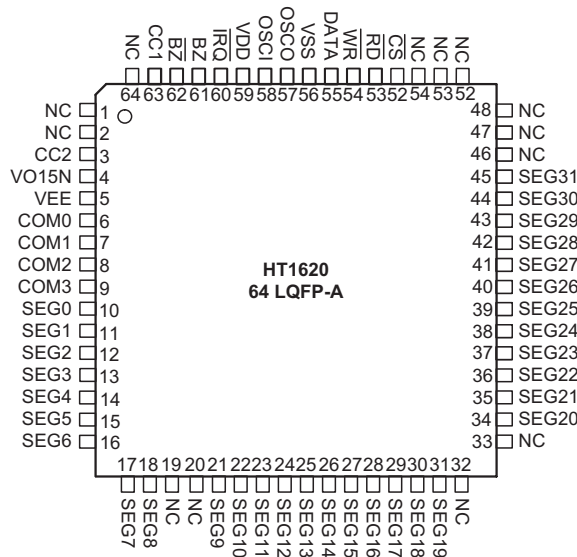
| HT162X | HT1620 | HT1621 | HT1622 | HT16220 | HT1623 | HT1625 | HT1626 |
|----------------------|-----------|--------|--------|---------|--------|--------|--------|
| COM | 4 | 4 | 8 | 8 | 8 | 8 | 16 |
| SEG | 32 | 32 | 32 | 32 | 48 | 64 | 48 |
| Built-in Osc. | — | √ | √ | — | √ | √ | √ |
| Crystal Osc. | √ | √ | — | √ | √ | √ | √ |

Block Diagram

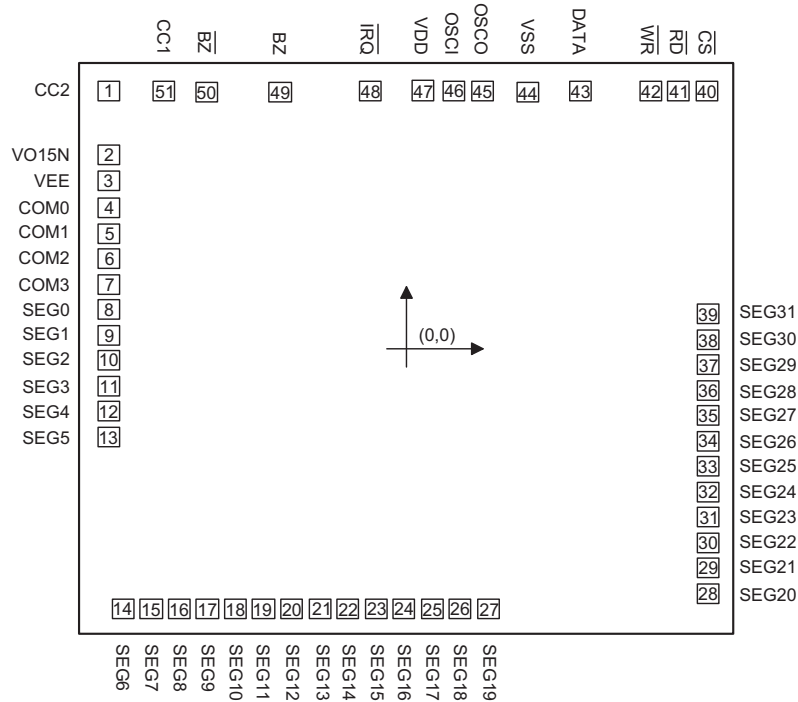


- Note:
- CS: Chip selection
 - BZ, BZ: Tone outputs
 - WR, RD, DATA: Serial interface
 - COM0~COM3, SEG0~SEG31: LCD outputs
 - IRQ: Time base or WDT overflow output
 - VO15N: Half voltage circuit output pin
 - VEE: Double voltage circuit output pin
 - CC1/CC2: External capacitor pin, for double voltage and half voltage circuit use

Pin Assignment



Pad Assignment



Chip size: 92 × 89 (mil)²

* The IC substrate should be connected to VDD in the PCB layout artwork.

Pad Coordinates

Unit: μm

| Pad No. | X | Y | Pad No. | X | Y |
|---------|-----------|-----------|---------|----------|-----------|
| 1 | -1047.550 | 1003.190 | 27 | 288.954 | -1017.875 |
| 2 | -1047.675 | 751.820 | 28 | 1066.345 | -956.690 |
| 3 | -1047.589 | 653.370 | 29 | 1066.345 | -857.591 |
| 4 | -1047.675 | 546.716 | 30 | 1066.345 | -758.569 |
| 5 | -1047.675 | 447.615 | 31 | 1066.345 | -659.470 |
| 6 | -1047.675 | 348.594 | 32 | 1066.345 | -560.449 |
| 7 | -1047.675 | 249.495 | 33 | 1066.345 | -461.351 |
| 8 | -1047.675 | 150.475 | 34 | 1066.345 | -362.330 |
| 9 | -1047.675 | 51.375 | 35 | 1066.345 | -263.230 |
| 10 | -1047.675 | -47.646 | 36 | 1066.345 | -164.210 |
| 11 | -1047.675 | -146.745 | 37 | 1066.345 | -65.110 |
| 12 | -1047.675 | -245.766 | 38 | 1066.345 | 33.910 |
| 13 | -1047.675 | -344.865 | 39 | 1066.345 | 133.010 |
| 14 | -998.865 | -1017.875 | 40 | 1061.255 | 1003.190 |
| 15 | -899.766 | -1017.875 | 41 | 962.234 | 1003.190 |
| 16 | -800.745 | -1017.875 | 42 | 863.135 | 1003.190 |
| 17 | -701.646 | -1017.875 | 43 | 612.943 | 1003.190 |
| 18 | -602.625 | -1017.875 | 44 | 430.677 | 999.625 |
| 19 | -503.526 | -1017.875 | 45 | 267.974 | 1003.190 |
| 20 | -404.505 | -1017.875 | 46 | 168.952 | 1003.190 |
| 21 | -305.406 | -1017.875 | 47 | 59.692 | 1003.715 |
| 22 | -206.385 | -1017.875 | 48 | -126.910 | 1003.190 |
| 23 | -107.285 | -1017.875 | 49 | -445.130 | 999.100 |
| 24 | -8.264 | -1017.875 | 50 | -704.419 | 999.100 |
| 25 | 90.835 | -1017.875 | 51 | -855.819 | 1003.190 |
| 26 | 189.855 | -1017.875 | | | |

Pad Description

| Pad No. | Pad Name | I/O | Description |
|---------|---------------------|-----|---|
| 51, 1 | CC1, CC2 | I | External capacitor pin, for double voltage and half voltage circuit use |
| 2 | VO15N | O | Half voltage circuit output pin |
| 3 | VEE | — | Double voltage circuit output pin |
| 4~7 | COM0~COM3 | O | LCD common outputs |
| 8~39 | SEG0~SEG31 | O | LCD segment outputs |
| 40 | \overline{CS} | I | Chip selection input with pull-high resistor. When the \overline{CS} is logic high, the data and command, read from or written to the HT1620 are disabled. The serial interface circuit is also reset. But if the \overline{CS} is at logic low level and is input to the \overline{CS} pad, the data and command transmission between the host controller and the HT1620 are all enabled. |
| 41 | \overline{RD} | I | READ clock input with pull-high resistor. Data in the RAM of the HT1620 are clocked out on the falling edge of the \overline{RD} signal. The clocked out data will appear on the DATA line. The host controller can use the next raising edge to latch the clocked out data. |
| 42 | \overline{WR} | I | WRITE clock input with pull-high resistor. Data on the DATA line are latched into the HT1620 on the rising edge of the \overline{WR} signal. |
| 43 | DATA | I/O | Serial data input/output with pull-high resistor |
| 44 | VSS | — | Negative power supply, Ground |
| 45 | OSCO | O | The OSCI and OSCO pads are connected to a 32.768kHz crystal in order to generate a system clock. |
| 46 | OSCI | I | |
| 47 | VDD | — | Positive power supply |
| 48 | \overline{IRQ} | O | Time base or WDT overflow flag, NMOS open drain output |
| 49, 50 | BZ, \overline{BZ} | O | 2kHz or 4kHz tone frequency output pair (tri-state output buffer) |

Absolute Maximum Ratings

Supply Voltage $V_{SS}-0.3V$ to $V_{SS}+3.6V$ Storage Temperature $-50^{\circ}C$ to $125^{\circ}C$

Input Voltage $V_{SS}-0.3V$ to $V_{DD}+0.3V$ Operating Temperature $-25^{\circ}C$ to $75^{\circ}C$

Note: These are stress ratings only. Stresses exceeding the range specified under "Absolute Maximum Ratings" may cause substantial damage to the device. Functional operation of this device at other conditions beyond those listed in the specification is not implied and prolonged exposure to extreme conditions may affect device reliability.

D.C. Characteristics

Ta=25°C

| Symbol | Parameter | Test Conditions | | Min. | Typ. | Max. | Unit |
|------------------|--|-----------------|---|------|------|------|------|
| | | V _{DD} | Conditions | | | | |
| V _{DD} | Operating Voltage | — | — | 2.4 | — | 3.3 | V |
| I _{DD} | Operating Current | 3V | See note 1 | — | 2 | 3 | μA |
| I _{STB} | Standby Current | 3V | See note 2 | — | — | 1 | μA |
| V _{IL} | Input Low Voltage | 3V | DATA, \overline{WR} , \overline{CS} , \overline{RD} | — | — | 0.6 | V |
| V _{IH} | Input High Voltage | 3V | DATA, \overline{WR} , \overline{CS} , \overline{RD} | 2.4 | — | 3.0 | V |
| I _{OL1} | DATA, BZ, \overline{BZ} , \overline{IRQ} | 3V | V _{OL} =0.3V | 0.8 | 1.6 | — | mA |
| I _{OH1} | DATA, BZ, \overline{BZ} | 3V | V _{OH} =2.7V | -0.6 | -1.2 | — | mA |
| I _{OL2} | LCD Common Sink Current | 3V | V _{OL} =0.3V | 80 | 150 | — | μA |
| I _{OH2} | LCD Common Source Current | 3V | V _{OH} =2.7V | -70 | -120 | — | μA |
| I _{OL3} | LCD Segment Sink Current | 3V | V _{OL} =0.3V | 70 | 140 | — | μA |
| I _{OH3} | LCD Segment Source Current | 3V | V _{OH} =2.7V | -30 | -60 | — | μA |
| R _{PH} | Pull-high Resistor | 3V | DATA, \overline{WR} , \overline{CS} , \overline{RD} | 100 | 200 | 300 | kΩ |

Note: 1. No load, Buzzer Off, LCD On, system enable and $\overline{CS}=\overline{WR}=\overline{RD}$ =High
 2. No load, Buzzer Off, LCD Off, system disable and $\overline{CS}=\overline{WR}=\overline{RD}$ =High

A.C. Characteristics

Ta=25°C

| Symbol | Parameter | Test Conditions | | Min. | Typ. | Max. | Unit |
|---------------------------------|--|-----------------|------------------|------|--------------------|------|------|
| | | V _{DD} | Conditions | | | | |
| f _{SYS} | System Clock | 3V | Crystal 32kHz | — | 32 | — | kHz |
| f _{LCD} | LCD Frame Frequency | — | Crystal 32kHz | — | 64 | — | Hz |
| | LCD Frame Frequency 1/2 Duty | — | | — | 64 | — | Hz |
| | LCD Frame Frequency 1/3 Duty | — | | — | 56 | — | Hz |
| | LCD Frame Frequency 1/4 Duty | — | | — | 64 | — | Hz |
| t _{COM} | LCD Common Period | — | n: Number of COM | — | n/f _{LCD} | — | s |
| f _{CLK} | Serial Data Clock | 3V | Write mode | — | — | 150 | kHz |
| | | | Read mode | — | — | 75 | kHz |
| f _{TONE} | Tone Frequency | — | — | — | 2 or 4 | — | kHz |
| t _{CS} | Serial Interface Reset Pulse Width (Figure 3) | — | \overline{CS} | — | 250 | — | ns |
| t _{CLK} | \overline{WR} , \overline{RD} Input Pulse Width (Figure 1) | 3V | Write mode | 3.34 | — | — | μs |
| | | | Read mode | 6.67 | — | — | |
| t _r , t _f | Rise/Fall Time Serial Data Clock Width (Figure 1) | 3V | — | — | 120 | — | ns |
| t _{SU} | Setup Time for DATA to \overline{WR} , \overline{RD} Clock Width (Figure 2) | 3V | — | — | 120 | — | ns |
| t _H | Hold Time for DATA to \overline{WR} , \overline{RD} Clock Width (Figure 2) | 3V | — | — | 120 | — | ns |
| t _{SU1} | Setup Time for \overline{CS} to \overline{WR} , \overline{RD} Clock Width (Figure 3) | 3V | — | — | 100 | — | ns |
| t _{H1} | Hold Time for \overline{CS} to \overline{WR} , \overline{RD} Clock Width (Figure 3) | 3V | — | — | 100 | — | ns |

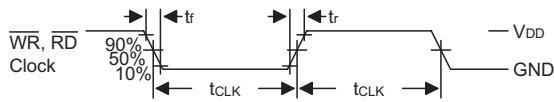


Figure 1

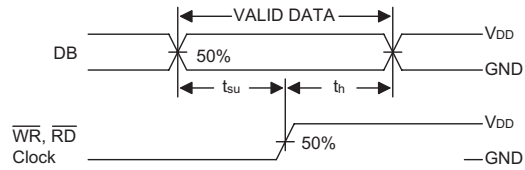


Figure 2

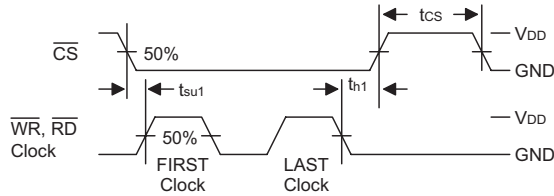


Figure 3

Functional Description

Display Memory – RAM structure

The static display RAM is organized into 32x4 bits and stores the display data. The contents of the RAM are directly mapped to the contents of the LCD driver. Data in the RAM can be accessed by the READ, WRITE and READ-MODIFY-WRITE commands. The following is a mapping from the RAM to the LCD patterns.

| | COM3 | COM2 | COM1 | COM0 | |
|-------|------|------|------|------|--------------|
| SEG0 | | | | | 0 |
| SEG1 | | | | | 1 |
| SEG2 | | | | | 2 |
| SEG3 | | | | | 3 |
| ... | ... | ... | ... | ... | ... |
| SEG31 | | | | | 31 |
| | D 3 | D 2 | D 1 | D 0 | Addr Data |

Data 4 bits
(D3, D2, D1, D0)

Address 6 bits
(A5, A4, ..., A0)

RAM Mapping

Time Base and Watchdog Timer – WDT

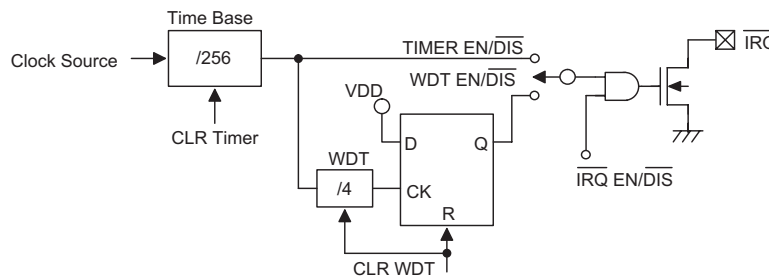
The time base generator and WDT share the same divided ($\div 256$) counter. TIMER DIS/EN/CLR, WDT DIS/EN/CLR and $\overline{\text{IRQ}}$ EN/DIS are independent from each other. Once the WDT time-out occurs, the $\overline{\text{IRQ}}$ pin will stay at a logic low level until the CLR WDT or the $\overline{\text{IRQ}}$ DIS command is issued.

Buzzer Tone Output

A simple tone generator is implemented in the HT1620. The tone generator can output a pair of differential driving signals on the BZ and $\overline{\text{BZ}}$ which are used to generate a single tone.

LCD Driver

The HT1620 is a 128 (32x4) pattern LCD driver. It can be configured as 1/2 or 1/3 bias and 2 or 3 or 4 commons of LCD driver by the S/W configuration. This feature makes the HT1620 suitable for multiple LCD applications. The LCD driving clock is derived from the system clock. The value of the driving clock is always 256Hz even when it is at a 32.768kHz crystal oscillator frequency. The LCD corresponding commands are summarized in the table.



Timer and WDT Configurations

| Name | Command Code | Function |
|--------------|--------------------------------|---|
| LCD OFF | 1 0 0 0 0 0 0 0 0 1 0 X | Turn off LCD outputs |
| LCD ON | 1 0 0 0 0 0 0 0 0 1 1 X | Turn on LCD outputs |
| BIAS and COM | 1 0 0 0 0 1 0 a b X c X | c=0: 1/2 bias option c=1: 1/3 bias option ab=00: 2 commons option ab=01: 3 commons option ab=10: 4 commons option |

The bold form of 1 0 0, namely **1 0 0**, indicates the command mode ID. If successive commands have been issued, the command mode ID will be omitted, except for the first command. The LCD OFF command turns the LCD display off by disabling the LCD bias generator. The LCD ON command, on the other hand, turns the LCD display on by enabling the LCD bias generator. The BIAS and COM are the LCD panel related commands. With the use of the LCD related commands, the HT1620 can be compatible with most types of LCD panels.

Command Format

The HT1620 can be configured by the S/W setting. There are two mode commands to configure the HT1620 resources and to transfer the LCD display data. The configuration mode of the HT1620 is called command mode, and its command mode ID is **1 0 0**. The command mode consists of a system configuration command, a system frequency selection command, an LCD configuration command, a tone frequency selection command, a timer/WDT setting command, and an operating command. The data mode, on the other hand, includes READ, WRITE, and READ-MODIFY-WRITE operations. The following are the data mode IDs and the command mode ID:

| Operation | Mode | ID |
|-------------------|---------|-------|
| READ | Data | 1 1 0 |
| WRITE | Data | 1 0 1 |
| READ-MODIFY-WRITE | Data | 1 0 1 |
| COMMAND | Command | 1 0 0 |

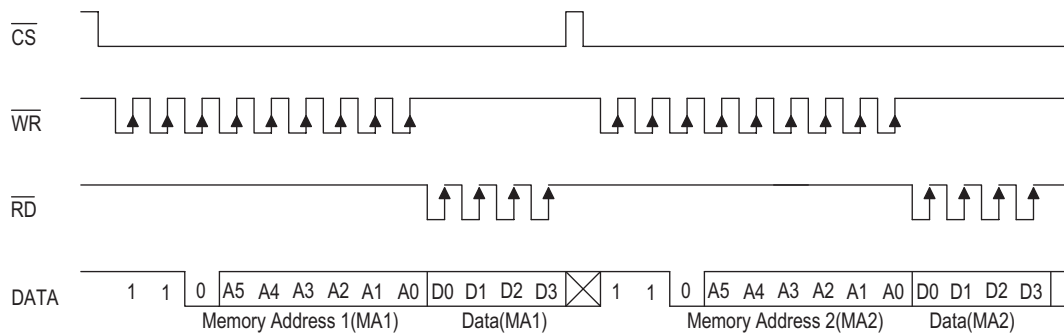
The mode command should be issued before the data or command is transferred. If successive commands have been issued, the command mode ID, **1 0 0**, can be omitted. While the system is operating in the non-successive command or the non-successive address data mode, the CS pin should be set to "1" and the previous operation mode will be reset also. Once the CS pin returns to "0", a new operation mode ID should be issued first.

Interfacing

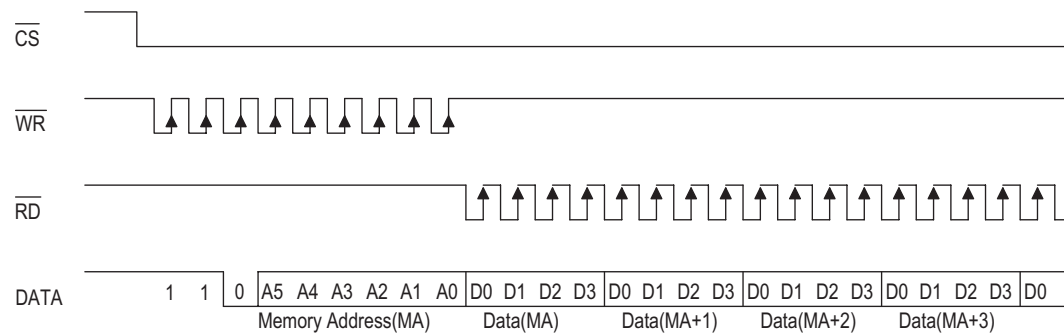
Only four lines are required to interface with the HT1620. The CS line is used to initialize the serial interface circuit and to terminate the communication between the host controller and the HT1620. If the CS pin is set to 1, the data and command issued between the host controller and the HT1620 are first disabled and then initialized. Before issuing a mode command or mode switching, a high level pulse is required to initialize the serial interface of the HT1620. The DATA line is the serial data input/output line. Data to be read or written or commands to be written have to be passed through the DATA line. The RD line is the READ clock input. Data in the RAM are clocked out on the falling edge of the RD signal, and the clocked out data will then appear on the DATA line. It is recommended that the host controller read in correct data during the interval between the rising edge and the next falling edge of the RD signal. The WR line is the WRITE clock input. The data, address, and command on the DATA line are all clocked into the HT1620 on the rising edge of the WR signal. There is an optional IRQ line to be used as an interface between the host controller and the HT1620. The IRQ pin can be selected as a timer output or a WDT overflow flag output by the S/W setting. The host controller can perform the time base or the WDT function by connecting with the IRQ pin of the HT1620.

Timing Diagrams

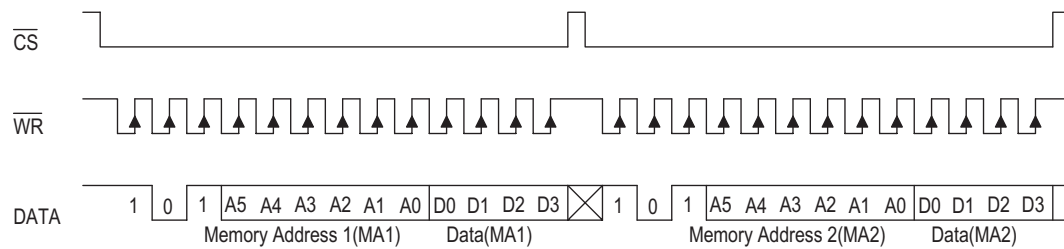
READ Mode (Command Code: 1 1 0)



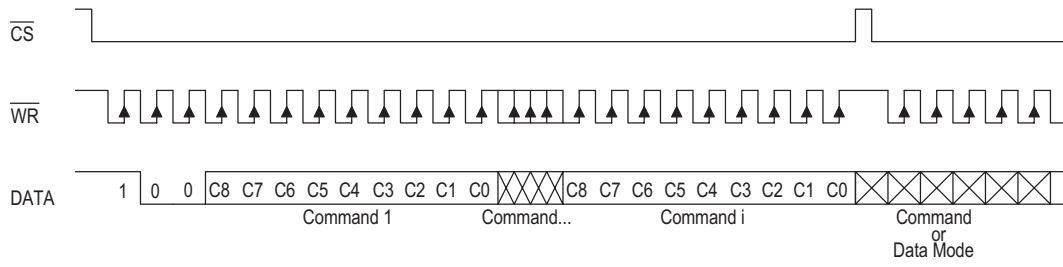
READ Mode (Successive Address Reading)



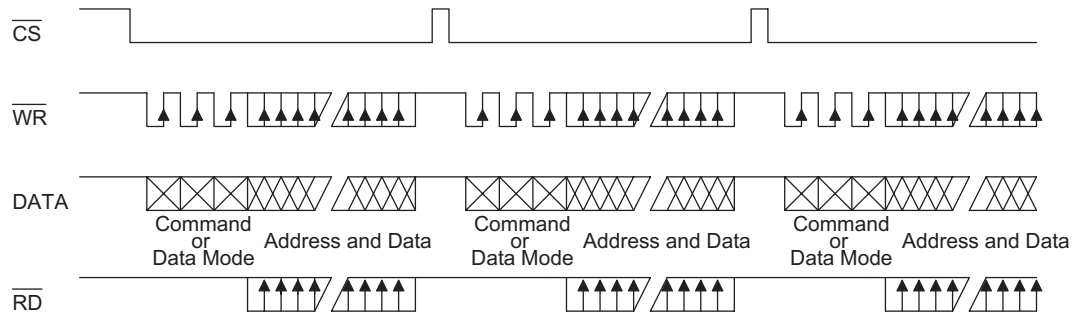
WRITE Mode (Command Code: 1 0 1)

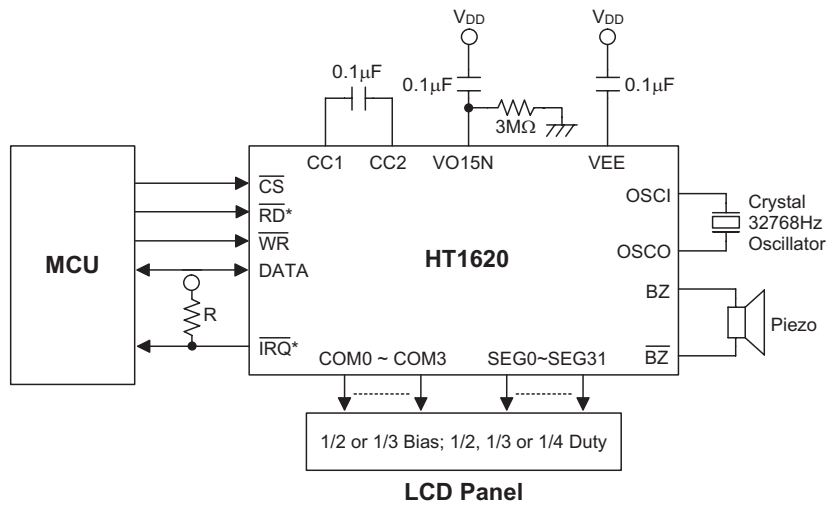


Command Mode (Command Code: 1 0 0)



Mode (Data And Command Mode)



Application Circuits


Note: * The connection of the \overline{IRQ} and \overline{RD} pin is selectable depending on the requirement of the MCU.

$V_{DD}=2.4V\sim 3.3V$, $V_{EE}=-1/2 V_{DD}$, V_{LCD} (LCD voltage) = $V_{DD}-V_{EE}=3/2 V_{DD}=3.6V\sim 4.9V$.

Adjust R (external pull-high resistance) to fit user's time base clock.

Command Summary

| Name | ID | Command Code | D/C | Function | Def. |
|-------------------------|-------|----------------------|-----|--|------|
| READ | 1 1 0 | A5A4A3A2A1A0D0D1D2D3 | D | Read data from the RAM | |
| WRITE | 1 0 1 | A5A4A3A2A1A0D0D1D2D3 | D | Write data to the RAM | |
| READ MODIFY WRITE | 1 0 1 | A5A4A3A2A1A0D0D D2D3 | D | Read and write to the RAM | |
| SYS DIS | 1 0 0 | 0000-0000-X | C | Turn off both system oscillator and LCD bias generator | Yes |
| SYS EN | 1 0 0 | 0000-0001-X | C | Turn on system oscillator | |
| LCD OFF | 1 0 0 | 0000-0010-X | C | Turn off LCD bias generator | Yes |
| LCD ON | 1 0 0 | 0000-0011-X | C | Turn on LCD bias generator | |
| TIMER DIS | 1 0 0 | 0000-0100-X | C | Disable time base output | Yes |
| WDT DIS | 1 0 0 | 0000-0101-X | C | Disable WDT time-out flag output | Yes |
| TIMER EN | 1 0 0 | 0000-0110-X | C | Enable time base output | |
| WDT EN | 1 0 0 | 0000-0111-X | C | Enable WDT time-out flag output | |
| TONE OFF | 1 0 0 | 0000-1000-X | C | Turn off tone outputs | Yes |
| CLR TIMER | 1 0 0 | 0000-1101-X | C | Clear the contents of the time base generator | |
| CLR WDT | 1 0 0 | 0000-111X-X | C | Clear the contents of the WDT stage | |
| BIAS 1/2 | 1 0 0 | 0010-abX0-X | C | LCD 1/2 bias option ab=00: 2 commons option ab=01: 3 commons option ab=10: 4 commons option | |

| Name | ID | Command Code | D/C | Function | Def. |
|-----------------------------|--------------|--------------|-----|--|------|
| BIAS 1/3 | 1 0 0 | 0010-abX1-X | C | LCD 1/3 bias option ab=00: 2 commons option ab=01: 3 commons option ab=10: 4 commons option | |
| TONE 4K | 1 0 0 | 010X-XXXX-X | C | Tone frequency, 4kHz | |
| TONE 2K | 1 0 0 | 0110-XXXX-X | C | Tone frequency, 2kHz | |
| $\overline{\text{IRQ}}$ DIS | 1 0 0 | 100X-0XXX-X | C | Disable $\overline{\text{IRQ}}$ output | Yes |
| $\overline{\text{IRQ}}$ EN | 1 0 0 | 100X-1XXX-X | C | Enable $\overline{\text{IRQ}}$ output | |
| F1 | 1 0 0 | 101X-0000-X | C | Time base clock output: 1Hz The WDT time-out flag after: 4s | |
| F2 | 1 0 0 | 101X-0001-X | C | Time base clock output: 2Hz The WDT time-out flag after: 2s | |
| F4 | 1 0 0 | 101X-0010-X | C | Time base clock output: 4Hz The WDT time-out flag after: 1s | |
| F8 | 1 0 0 | 101X-0011-X | C | Time base clock output: 8Hz The WDT time-out flag after: 1/2s | |
| F16 | 1 0 0 | 101X-0100-X | C | Time base clock output: 16Hz The WDT time-out flag after: 1/4s | |
| F32 | 1 0 0 | 101X-0101-X | C | Time base clock output: 32Hz The WDT time-out flag after: 1/8s | |
| F64 | 1 0 0 | 101X-0110-X | C | Time base clock output: 64Hz The WDT time-out flag after: 1/16s | |
| F128 | 1 0 0 | 101X-0111-X | C | Time base clock output: 128Hz The WDT time-out flag after: 1/32s | Yes |
| TEST | 1 0 0 | 1110-0000-X | C | Test mode, user don't use. | |
| NORMAL | 1 0 0 | 1110-0011-X | C | Normal mode | Yes |

Note: X: Don't care

A5~A0: RAM addresses

D3~D0: RAM data

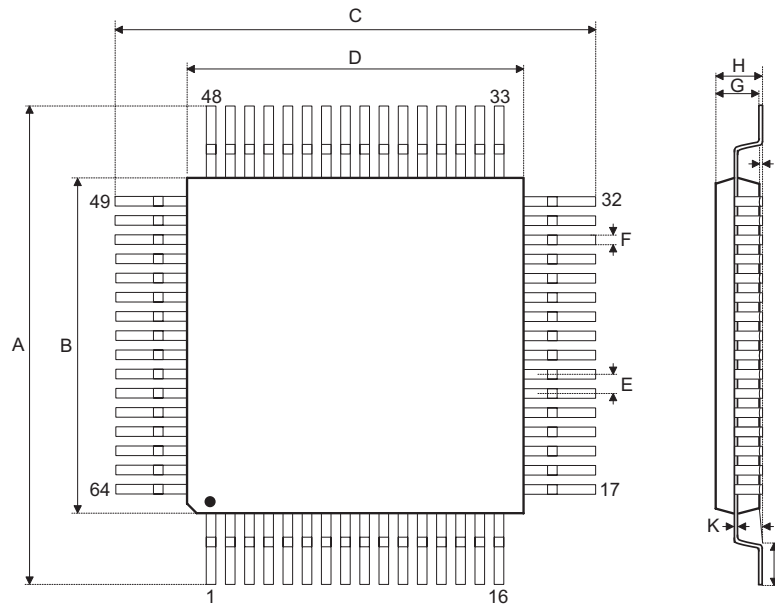
D/C: Data/command mode

Def.: Power on reset default

All the bold forms, namely **1 1 0**, **1 0 1**, and **1 0 0**, are mode commands. Of these, **1 0 0** indicates the command mode ID. If successive commands have been issued, the command mode ID except for the first command will be omitted. The source of the tone frequency and of the time base/WDT clock frequency can be derived from a 32.768kHz crystal oscillator. Calculation of the frequency is based on the system frequency sources as stated above. It is recommended that the host controller should initialize the HT1620 after power on reset, for power on reset may fail, which in turn leads to malfunctioning of the HT1620.

Package Information

64-pin LQFP (7×7) Outline Dimensions



| Symbol | Dimensions in mm | | |
|----------|------------------|------|------|
| | Min. | Nom. | Max. |
| A | 8.9 | — | 9.1 |
| B | 6.9 | — | 7.1 |
| C | 8.9 | — | 9.1 |
| D | 6.9 | — | 7.1 |
| E | — | 0.4 | — |
| F | 0.13 | — | 0.23 |
| G | 1.35 | — | 1.45 |
| H | — | — | 1.6 |
| I | 0.05 | — | 0.15 |
| J | 0.45 | — | 0.75 |
| K | 0.09 | — | 0.20 |
| α | 0° | — | 7° |

Holtek Semiconductor Inc. (Headquarters)

No.3, Creation Rd. II, Science Park, Hsinchu, Taiwan
Tel: 886-3-563-1999
Fax: 886-3-563-1189
<http://www.holtek.com.tw>

Holtek Semiconductor Inc. (Taipei Sales Office)

4F-2, No. 3-2, YuanQu St., Nankang Software Park, Taipei 115, Taiwan
Tel: 886-2-2655-7070
Fax: 886-2-2655-7373
Fax: 886-2-2655-7383 (International sales hotline)

Holtek Semiconductor Inc. (Shanghai Sales Office)

7th Floor, Building 2, No.889, Yi Shan Rd., Shanghai, China 200233
Tel: 86-21-6485-5560
Fax: 86-21-6485-0313
<http://www.holtek.com.cn>

Holtek Semiconductor Inc. (Shenzhen Sales Office)

5F, Unit A, Productivity Building, Gaoxin M 2nd, Middle Zone Of High-Tech Industrial Park, ShenZhen, China 518057
Tel: 86-755-8616-9908, 86-755-8616-9308
Fax: 86-755-8616-9722

Holtek Semiconductor Inc. (Beijing Sales Office)

Suite 1721, Jinyu Tower, A129 West Xuan Wu Men Street, Xicheng District, Beijing, China 100031
Tel: 86-10-6641-0030, 86-10-6641-7751, 86-10-6641-7752
Fax: 86-10-6641-0125

Holtek Semiconductor Inc. (Chengdu Sales Office)

709, Building 3, Champagne Plaza, No.97 Dongda Street, Chengdu, Sichuan, China 610016
Tel: 86-28-6653-6590
Fax: 86-28-6653-6591

Holtek Semiconductor (USA), Inc. (North America Sales Office)

46729 Fremont Blvd., Fremont, CA 94538
Tel: 1-510-252-9880
Fax: 1-510-252-9885
<http://www.holtek.com>

Copyright © 2008 by HOLTEK SEMICONDUCTOR INC.

The information appearing in this Data Sheet is believed to be accurate at the time of publication. However, Holtek assumes no responsibility arising from the use of the specifications described. The applications mentioned herein are used solely for the purpose of illustration and Holtek makes no warranty or representation that such applications will be suitable without further modification, nor recommends the use of its products for application that may present a risk to human life due to malfunction or otherwise. Holtek's products are not authorized for use as critical components in life support devices or systems. Holtek reserves the right to alter its products without prior notification. For the most up-to-date information, please visit our web site at <http://www.holtek.com.tw>.