



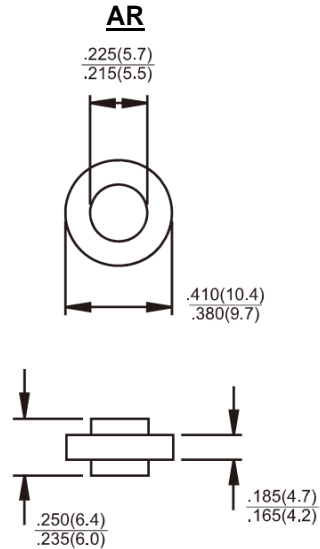
AR25 SERIES 25 AMPS. High Current Button Rectifiers

Features

- ✧ Plastic material used carries Underwriters Laboratory Classification 94V-0
- ✧ Low cost construction utilizing void-free molded plastic technique
- ✧ Low cost
- ✧ Diffused junction
- ✧ Low leakage
- ✧ High surge capability
- ✧ High temperature soldering guaranteed: 260°C for 10 seconds
- ✧ Green compound with suffix "G" on packing code & prefix "G" on datecode

Mechanical Data

- ✧ Case: Molded plastic case
- ✧ Terminals: Pure tin plated, lead free, solderable per MIL-STD-202, Method 208
- ✧ Polarity: Color ring denotes cathode
- ✧ Weight: 1.8 grams
- ✧ Mounting position: Any



Dimensions in inches and (millimeters)

Marking Diagram



- AR25X = Specific Device Code
- G = Green Compound
- Y = Year
- M = Work Month

Maximum Ratings and Electrical Characteristics

Rating at 25 °C ambient temperature unless otherwise specified.

Single phase, half wave, 60 Hz, resistive or inductive load.

For capacitive load, derate current by 20%

Type Number	Symbol	AR 25A	AR 25B	AR 25D	AR 25G	AR 25J	AR 25K	AR 25M	Units
Maximum Recurrent Peak Reverse Voltage	V_{RRM}	50	100	200	400	600	800	1000	V
Maximum RMS Voltage	V_{RMS}	35	70	140	280	420	560	700	V
Maximum DC Blocking Voltage	V_{DC}	50	100	200	400	600	800	1000	V
Maximum Average Forward Rectified Current @ $T_C=150^\circ\text{C}$	$I_{F(AV)}$	25							A
Peak Forward Surge Current, 8.3 ms Single Half Sine-wave Superimposed on Rated Load (JEDEC method) at $T_J=150^\circ\text{C}$	I_{FSM}	400							A
Maximum Instantaneous Forward Voltage (Note 1) @ 25A	V_F	1.0							V
Maximum DC Reverse Current at @ $T_A=25^\circ\text{C}$ Rated DC Blocking Voltage @ $T_A=125^\circ\text{C}$	I_R	5 250							μA μA
Typical Reverse Recovery Time (Note 2)	T_{rr}	3.0							μs
Typical Junction Capacitance (Note 3)	C_j	300							pF
Typical Thermal Resistance (Note 4)	$R_{\theta JC}$	1.0							$^\circ\text{C/W}$
Operating and Storage Temperature Range	T_J, T_{STG}	- 50 to + 175							$^\circ\text{C}$

Note 1: Pulse Test with PW=300 usec, 1% Duty Cycle

Note 2: Reverse Recovery Time Test Conditions: $I_F=0.5\text{A}$, $I_R=1.0\text{A}$, $I_{RR}=0.25\text{A}$

Note 3: Measured at 1 MHz and Applied Reverse Voltage of 4.0V D.C.

Note 4: Thermal Resistance from Junction to Case, Single Side Cooled.

RATINGS AND CHARACTERISTIC CURVES (AR25 SERIES)

FIG.1- MAXIMUM FORWARD CURRENT DERATING CURVE

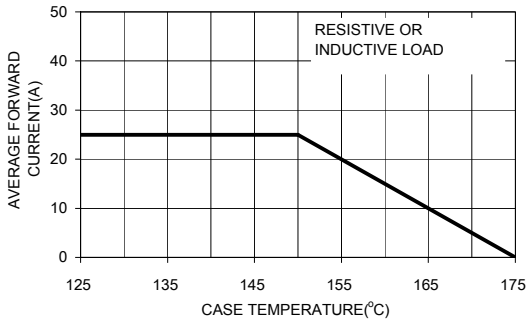


FIG. 2- TYPICAL REVERSE CHARACTERISTICS

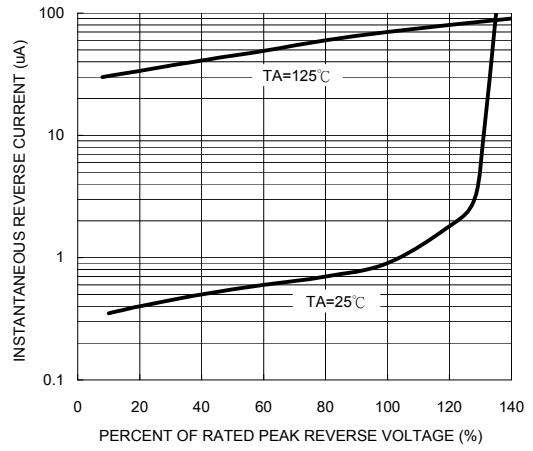


FIG. 3- MAXIMUM NON-REPETITIVE PEAK FORWARD SURGE CURRENT

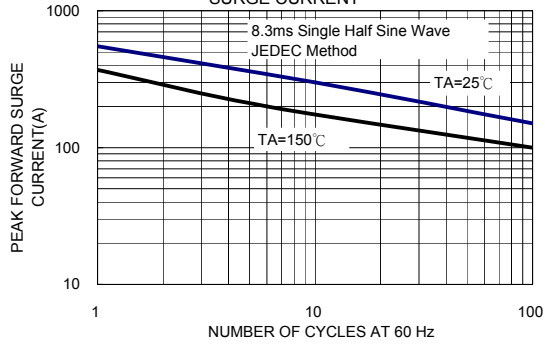


Fig. 5- TYPICAL FORWARD CHARACTERISTICS

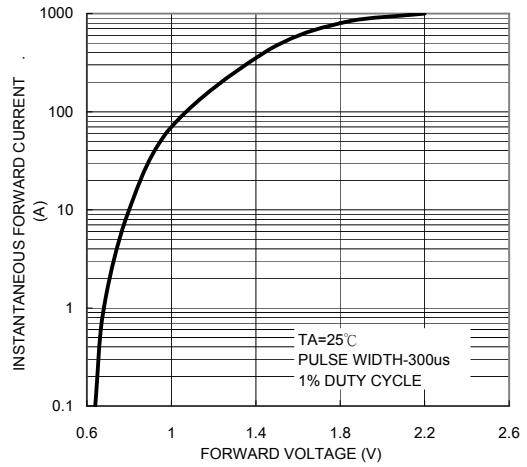


FIG. 4- TYPICAL JUNCTION CAPACITANCE

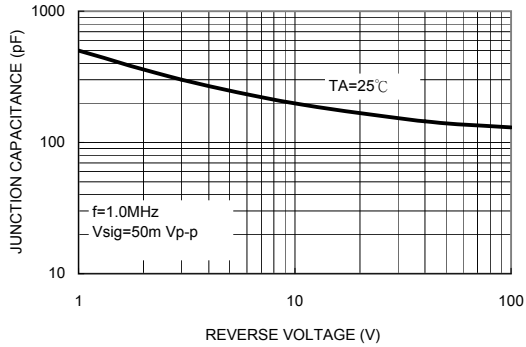


FIG.6- REVERSE RECOVERY TIME CHARACTERISTIC AND TEST CIRCUIT DIAGRAM

