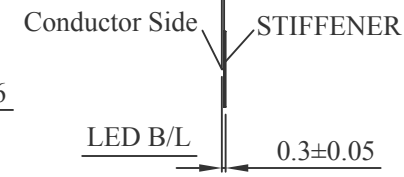
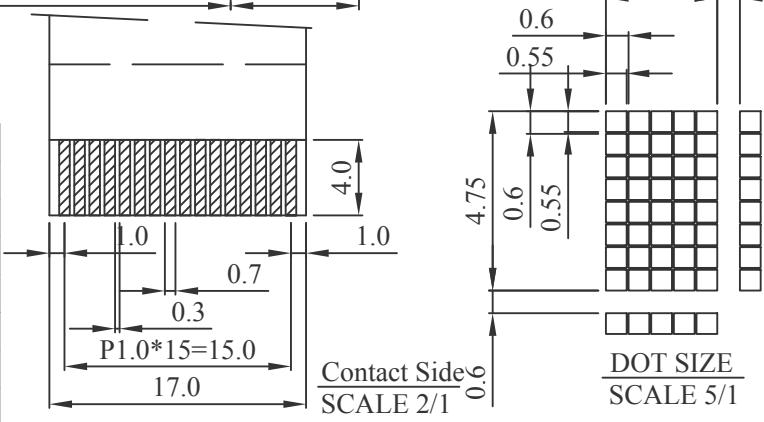


PIN NO.	SYMBOL
1	Vss
2	Vdd
3	Vo
4	RS
5	R/W
6	E
7	DB0
8	DB1
9	DB2
10	DB3
11	DB4
12	DB5
13	DB6
14	DB7
15	A
16	K



1	Lcd Type	STN Gray
2	Backlight	LED , White
3	Viewing Direction	6 O'clock
4	Drive Method	1/16 DUTY,1/5BIAS
5	Input Voltage(Module)	5.0V
6	Polarizer Mode	Transflect/Positive
7	Operating Temperature	-20°C~70°C
8	Storage Temperature	-30°C~80°C



The non-specified tolerance of dimension is ±0.2mm.

SCALE:	1/1	UNIT:	mm
REV:	A	PAGE:	1/1
APPROVE	賴國堅	DATE	06/06/13
CHECK	李純銘	DATE	06/06/13
DRAW	Molica	DATE	06/06/13

WINSTAR DISPLAY CO.	
MODEL	
WH2004H-TGH-JW#	
TITLE	
LCM DRAWING	
DWG NO.	
T-020582	