

DISPLAYTRONIC

A DIVISION OF ZE XIAMEN CO., LTD.

SPECIFICATIONS FOR LIQUID CRYSTAL DISPLAY

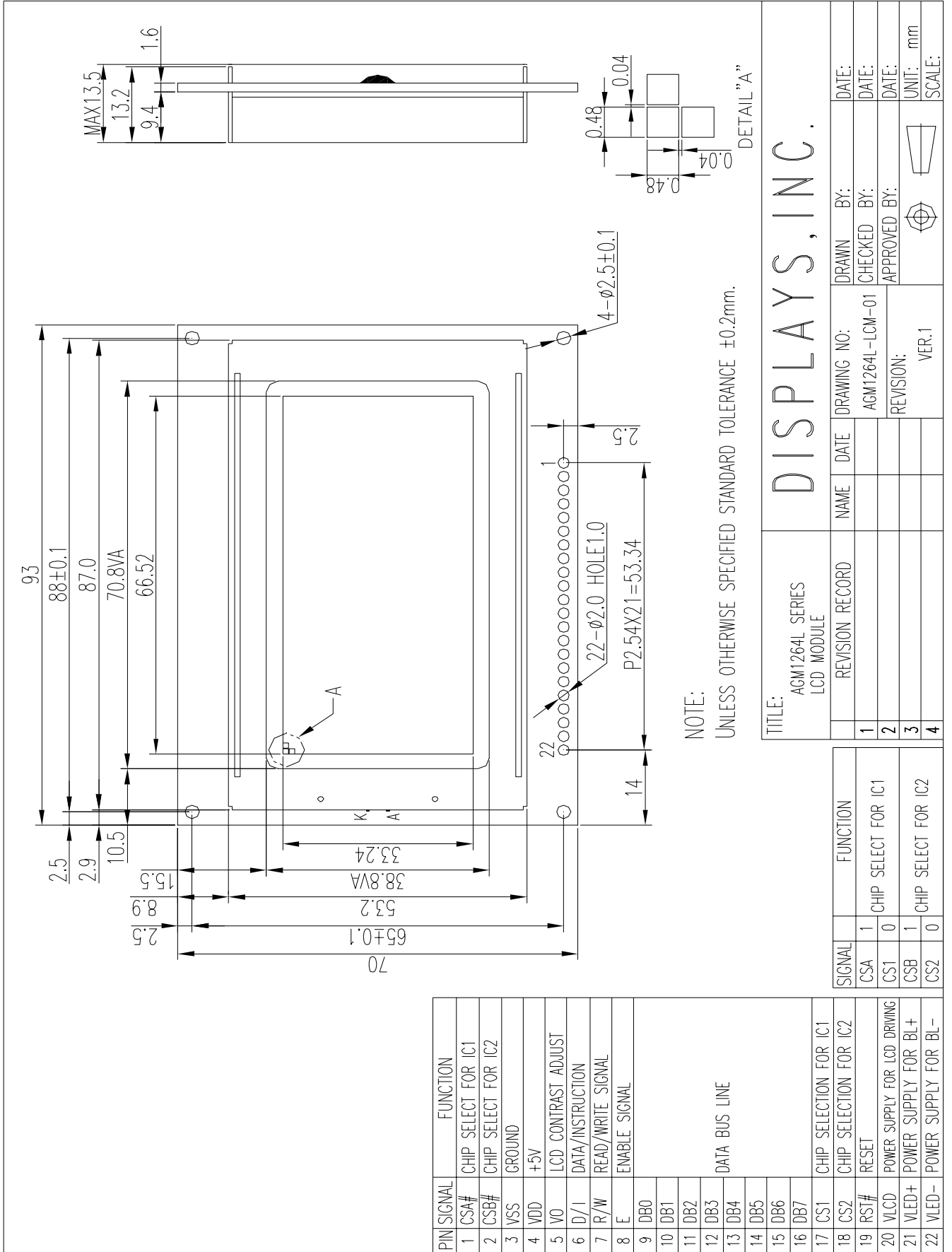
PART NUMBER:

AGM 1264L SERIES

DATE:

MAY 08, 2005

1.0 MECHANICAL DIAGRAM



NOTE:
UNLESS OTHERWISE SPECIFIED STANDARD TOLERANCE ±0.2mm.

PIN SIGNAL		FUNCTION
1	CSA#	CHIP SELECT FOR IC1
2	CSB#	CHIP SELECT FOR IC2
3	VSS	GROUND
4	VDD	+5V
5	VO	LCD CONTRAST ADJUST
6	D/I	DATA/INSTRUCTION
7	R/W	READ/WRITE SIGNAL
8	E	ENABLE SIGNAL
9	DB0	DATA BUS LINE
10	DB1	
11	DB2	
12	DB3	
13	DB4	
14	DB5	
15	DB6	
16	DB7	
17	CS1	CHIP SELECTION FOR IC1
18	CS2	CHIP SELECTION FOR IC2
19	RST#	RESET
20	VLED+	POWER SUPPLY FOR LCD DRIVING
21	VLED-	POWER SUPPLY FOR BL+
22	VLED-	POWER SUPPLY FOR BL-

TITLE:		AGM1264L SERIES LCD MODULE			
REVISION RECORD	NAME	DATE	DRAWING NO:	DRAWN BY:	DATE:
1			AGM1264L-LCM-01		
2			REVISION:	CHECKED BY:	DATE:
3			VER.1	APPROVED BY:	DATE:
4					UNIT: mm
					SCALE:

DISPLAYS, INC.

2.0 MECHANICAL SPECS

1. Overall Module Size	93.0mm(W) x 70.0mm(H) x max 13.5mm(D) for LED backlight version
2. Dot Size	0.48mm(W) x 0.48mm(H)
3. Dot Pitch	0.52mm(W) x 0.52mm(H)
4. Duty	1/64
5. Controller IC	KS0108B
6. LC Fluid Options	STN, FSTN
7. Polarizer Options	Reflective, Transflective, Transmissive
8. Backlight Options	LED
9. Temperature Range Options	Standard (0°C ~ 50°C), Wide (-20°C ~ 70°C)

3.0 ABSOLUTE MAXIMUM RATINGS

Item	Symbol	Min	Typ	Max	Unit
Operating temperature (Standard)	Top	0	-	50	°C
Storage temperature (Standard)	Tst	-10	-	60	°C
Operating temperature (Wide temperature)	Top	-20	-	70	°C
Storage temperature (Wide temperature)	Tst	-30	-	80	°C
Input voltage	Vin	Vss		Vdd	V
Supply voltage for logic	Vdd- Vss	-0.3	-	6.0	V
Supply voltage for LCD drive	Vdd- Vo	-	-	17.0	V

4.0 ELECTRICAL CHARACTERISTICS

Item	Symbol	Condition	Min	Typ	Max	Unit
Input voltage (high)	Vih	H level	3.5	-	Vdd	V
Input voltage (low)	Vil	L level	0	-	1.5	V
Recommended LC Driving Voltage (Standard Temp)	Vdd - Vo	0°C	-	12.2	12.8	V
		25°C	-	11.5	-	
		50°C	10.2	10.6	-	
Recommended LC Driving Voltage (Wide Temp)	Vdd -Vo	-20°C	-	13.0	14.0	V
		0°C	-	12.2	-	
		50°C	10.2	10.6	-	
		70°C	9.5	10.0	-	
Power Supply Current	Idd	Vdd=5.0V	-	-	15.0	mA
LED Power Supply Voltage	(VLED+)-(VLED-)	Ifled=190	-	5.0	7.5	V
LED Power Supply Current	Ifled	-	-	190	720	mA

5.0 OPTICAL CHARACTERISTICS

Item		Cr (Contrast Ratio)		θ (Viewing Angle)		ϕ (Viewing Angle)	
		25°C		25°C		25°C	
		MIN.	TYP.	MIN	TYP.	MIN	TYP.
R	A	2.8	3.05	80°	85°	-	35°
	B	7.10	7.70	80°	85°	-	35°
	C	-	-	-	-	-	-
S	A	2.49	2.99	80°	85°	-	35°
	B	7.05	7.55	80°	85°	-	35°
	C	-	-	-	-	-	-

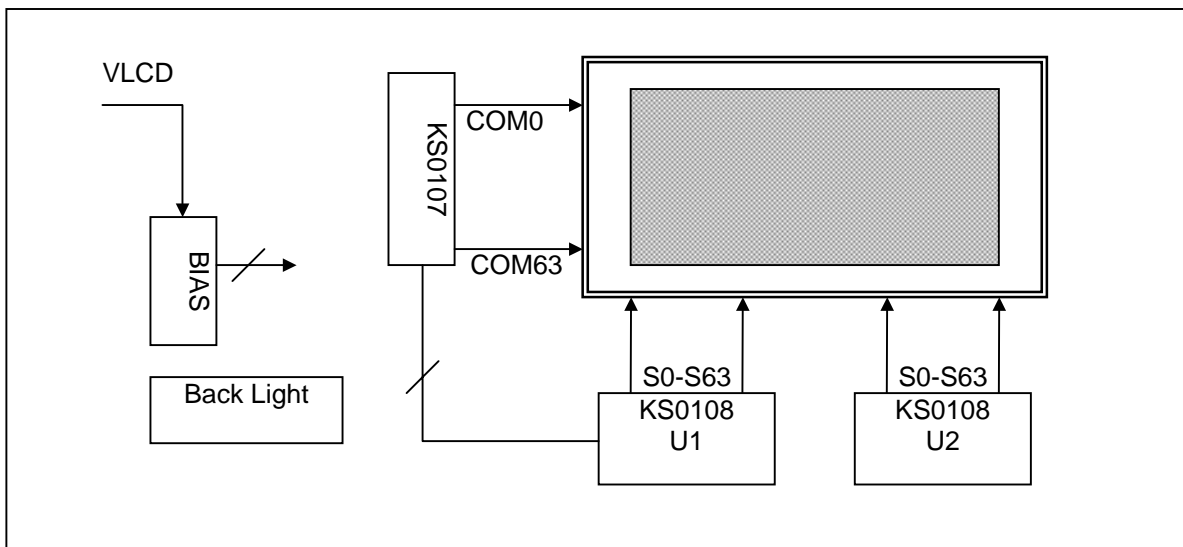
Note:

- R: Reflective
- S: Transflective
- A: STN Gray
- B: STN Yellow
- C: FSTN

At: $\phi = 0^\circ, \theta = 0^\circ$

Item	Symbol	Condition	Min	Typ	Max	Unit
Response time (rise)	Tr	25 °C	-	140	280	ms
Response time (fall)	Tf	25°C	-	80	160	ms

6.0 BLOCK DIAGRAM



7.0 PIN ASSIGNMENT

Pin No.	Symbol	Function	Level
1	CSA#	Chip selection for IC1	L
2	CSB#	Chip selection for IC2	L
3	Vss	Ground	
4	Vdd	+5V	-
5	Vo	LCD contrast adjust	-
6	D/I	H: Data input L: Instruction code input	H/L
7	R/W	H: Data read L: Data write	H/L
8	E	Enable signal	H,H → L
9	DB0	Data bit 0	H/L
10	DB1	Data bit 1	H/L
11	DB2	Data bit 2	H/L
12	DB3	Data bit 3	H/L
13	DB4	Data bit 4	H/L
14	DB5	Data bit 5	H/L
15	DB6	Data bit 6	H/L
16	DB7	Data bit 7	H/L
17	CS1	Chip selection for IC1	H
18	CS2	Chip selection for IC2	H
19	RST#	Reset	L
20	VLCD	Power supply for LCD driving	
21	VLED+	Power Supply for BL+	5.0
22	VLED-	Power Supply for BL-	0

NOTE:

1. When CSA is '0', and cs1 is '1', IC1 (left screen) is selected, all other states are invalid.

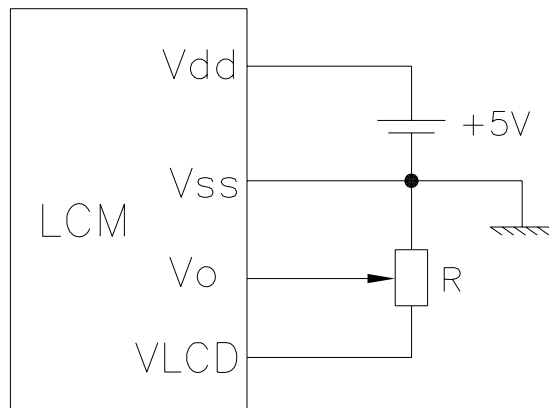
When CSB is '0', and cs2 is '1', IC2 (right screen) is selected, all other states are invalid.

2. RCSA and RCSB are pull down resistors which are corresponded to CSA and CSB.

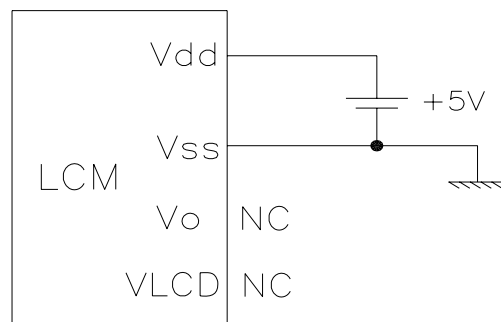
RCS1 and RCS2 are pull up resistors which are corresponded to CS1 and CS2.

3. The module selected RCS1 and RCS2 (not selected RCSA and RCSB)

8.0 POWER SUPPLY



When contrast is external adjustable(R=10K~20KΩ)



When contrast is internal fixed

9.0 TIMING CHARACTERISTICS

Item	Symbol	Test Condition	Min.	Typ.	Max.	Unit
Enable cycle time	t_{CYC}	Fig. a, Fig. b	1000	-	-	ns
E high level width	t_{WH}	Fig. a, Fig. b	450	-	-	ns
E low level width	t_{WL}	Fig. a, Fig. b	450	-	-	ns
Enable rise/fall time	T_r, t_f	Fig. a, Fig. b	-	-	25	ns
Address set up time	t_{AS}	Fig. a, Fig. b	140	-	-	ns
Address hold time	t_{AH}	Fig. a, Fig. b	10	-	-	ns
Data delay time	t_{DDR}	Fig. b	-	-	320	ns
Data set up time	t_{DSW}	Fig. a	200	-	-	ns
Data hold time (Write)	t_{DHW}	Fig. a	10	-	-	ns
Data hold time (Read)	t_{DHR}	Fig. b	20	-	-	ns

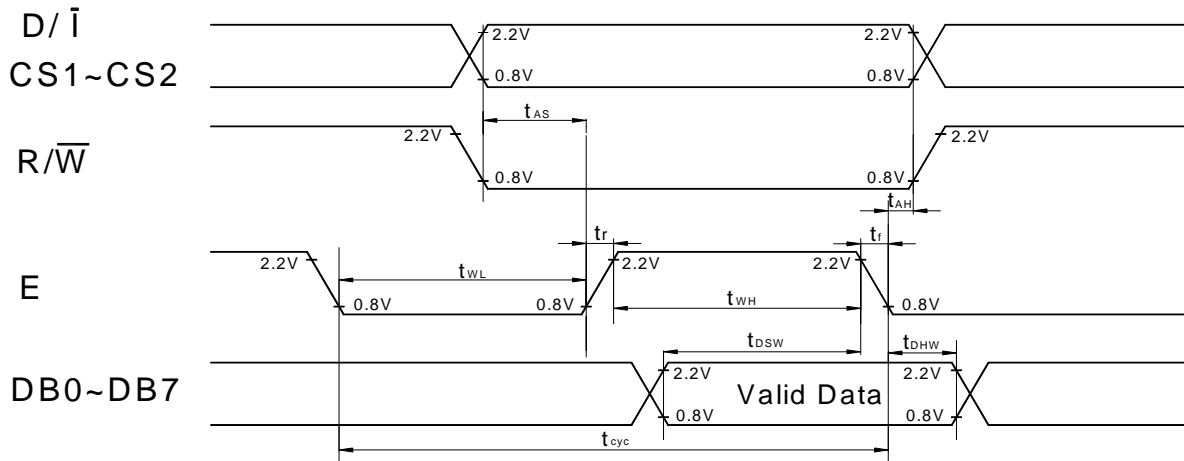


Fig. a Interface timing (data write)

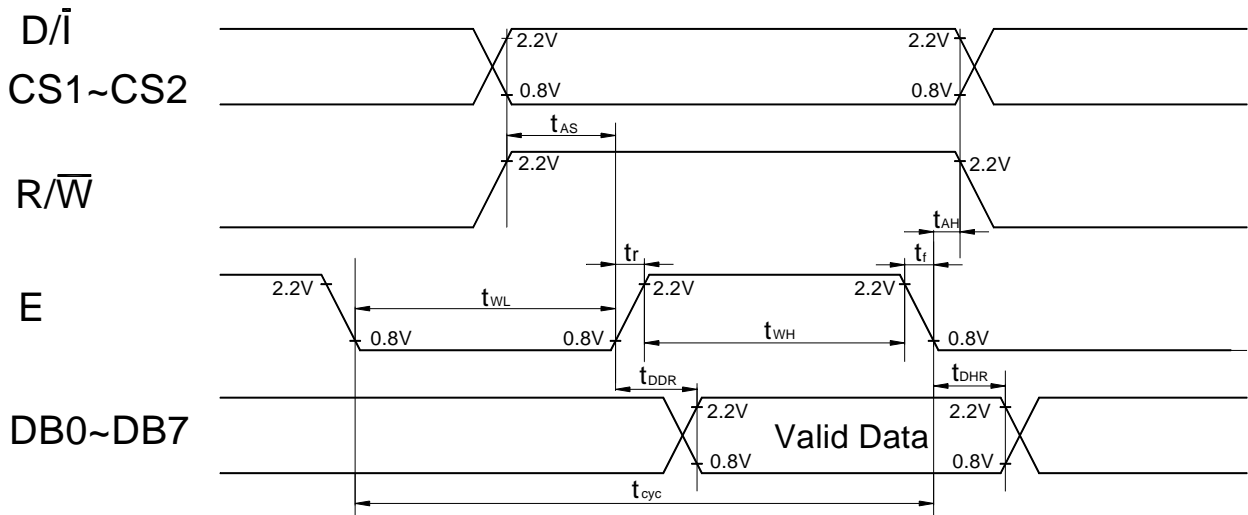


Fig. b Interface timing (data read)

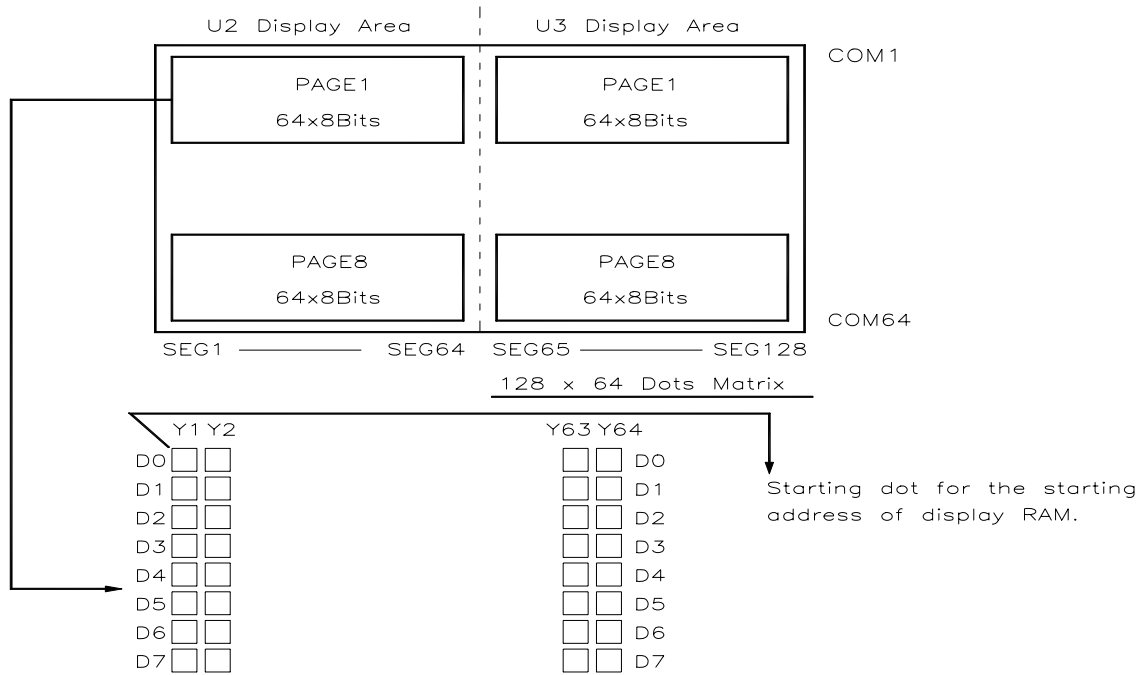
10.0 RELIABILITY TEST

Storage Condition	Content	Evaluations and Assessment*			
		Current Consumption	Oozing	Contrast	Other Appearances
Operation at high temperature and humidity	40°C, 90% RH, 240hrs	Twice initial value or less	none	More than 80% of initial value	No abnormality
High temperature storage	60°C, 240hrs	Twice initial value or less	none	More than 80% of initial value	No abnormality
Low temperature storage	-20°C, 240hrs	Twice initial value or less		More than 80% of initial value	No abnormality

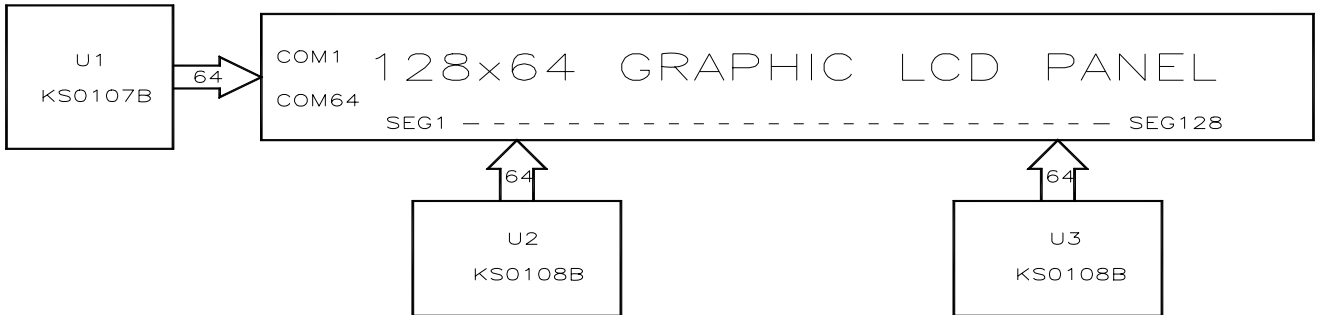
*Evaluations and assessment to be made two hours after returning to room temperature (25°C±5°C).

*The LCDs subjected to the test must not have dew condensation.

11.0 RELATION BETWEEN DISPLAY PATTERN AND DRIVERS



Each segment driver has 8 pages RAM, and each page has 64x8 bits RAM. D0~D7 are 8 bits transmitted data, where D0 is LSB and D7 is MSB.



12.0 DISPLAY CONTROL INSTRUCTION

The display control instructions control the internal state of the KS0108B. Instructions are received from MPU to KS0108B for the display control.

INSTRUCTION	D/I	R/W	DB7	DB6	DB5	DB4	DB3	DB2	DB1	DB0	DESCRIPTION	
Display ON/OFF	0	0	0	0	1	1	1	1	1	1/0	Controls the display on or off. Display RAM data and internal status is not affected. 0: OFF. 1:ON	
Set Address	0	0	0	1	Y address (0~63)						Sets the Y address at the Y address counter.	
Set Page (X address)	0	0	1	0	1	1	1	Page (0~7)			Sets the X address at the X address register.	
Display Start Line	0	0	1	1	Display start line (0~63)						Indicates the display data RAM displayed at the top of the screen.	
Status Read	0	1	BUSY	0	ON/OFF	RESET	0	0	0	0	Read status: BUSY 0:Ready 1:In operation ON/OFF 0:Display ON 1:Display OFF RESET 0:Normal 1:Reset	
Write Display Data	1	0	Write Data									Writes data DB0~DB7 into display data RAM. After writing instruction, Y address is increased by 1 automatically.
Read Display Data	1	1	Read Data									Reads data DB0~DB7 from display data RAM to the data bus.