

DISPLAYTRONIC

A DIVISION OF ZE XIAMEN CO., LTD.

SPECIFICATIONS FOR LIQUID CRYSTAL DISPLAY

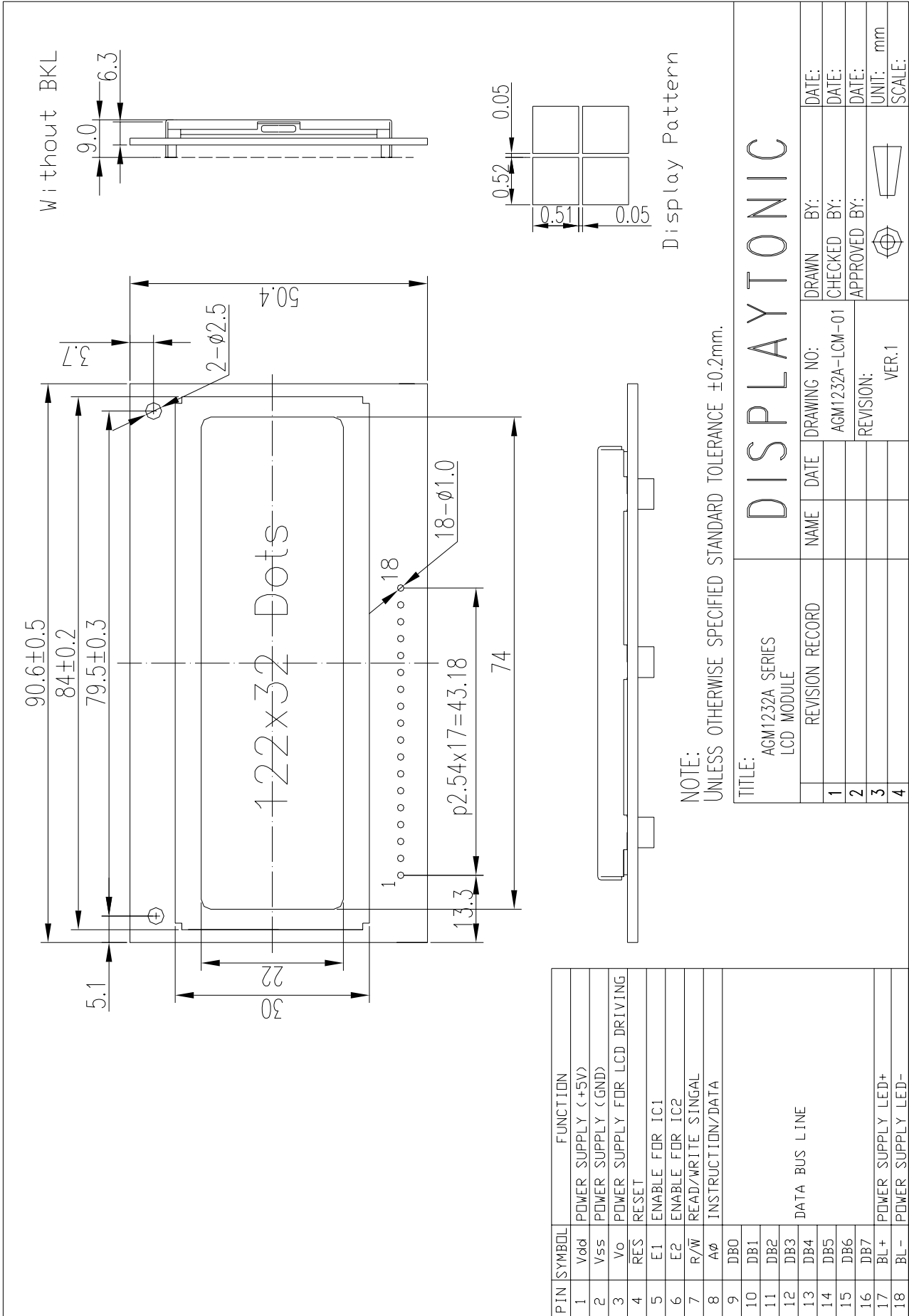
PART NUMBER:

AGM 1232A SERIES

DATE:

NOV. 20, 2001

1.0 MECHANICAL DIAGRAM



PIN SYMBOL	FUNCTION
1	V _{dd} POWER SUPPLY (+5V)
2	V _{ss} POWER SUPPLY (GND)
3	V ₀ POWER SUPPLY FOR LCD DRIVING
4	RES RESET
5	E1 ENABLE FOR IC1
6	E2 ENABLE FOR IC2
7	R/W READ/WRITE SIGNAL
8	A0 INSTRUCTION/DATA
9	DB0
10	DB1
11	DB2
12	DB3
13	DB4
14	DB5
15	DB6
16	DB7
17	BL+ POWER SUPPLY LED+
18	BL- POWER SUPPLY LED-

TITLE: AGM1232A SERIES LCD MODULE		DRAWING NO: AGM1232A-LCM-01		DATE:
REVISION RECORD	NAME	DATE	REVISION: VER.1	DATE:
1				DATE:
2				DATE:
3				DATE:
4				UNIT: mm
				SCALE:

DISPLAYTRONIC

DATA BUS LINE

DRAWN BY:	DATE:
CHECKED BY:	DATE:
APPROVED BY:	DATE:

UNIT: mm
SCALE:

2.0 MECHANICAL SPECS

1. Item	Description
1. Overall Module Size	90.5mm(W) x 50.4mm(H) x max 9.0mm(D) for reflective version
2. Dot Size	0.52mm(W) x 0.51mm(H)
3. Dot Pitch	0.57mm(W) x 0.56mm(H)
4. Duty	1/32
5. LC Fluid Options	STN
6. Polarizer Options	Reflective
7. Backlight Options	LED
8. Temperature Range Options	Standard (0°C ~ 50°C), Wide (-20°C ~ 70°C)

3.0 ABSOLUTE MAXIMUM RATINGS

Item	Symbol	Min	Typ	Max	Unit
Operating temperature (Standard)	Top	0	-	50	°C
Storage temperature (Standard)	Tst	-20	-	70	°C
Operating temperature (Wide temperature)	Top	-20	-	70	°C
Storage temperature (Wide temperature)	Tst	-30	-	80	°C
Input voltage	Vin	Vss		Vdd	V
Supply voltage for logic	Vdd- Vss	-0.3	-	7.0	V
Supply voltage for LCD drive	Vdd- Vo	3.5		9.5	V

4.0 ELECTRICAL CHARACTERISTICS

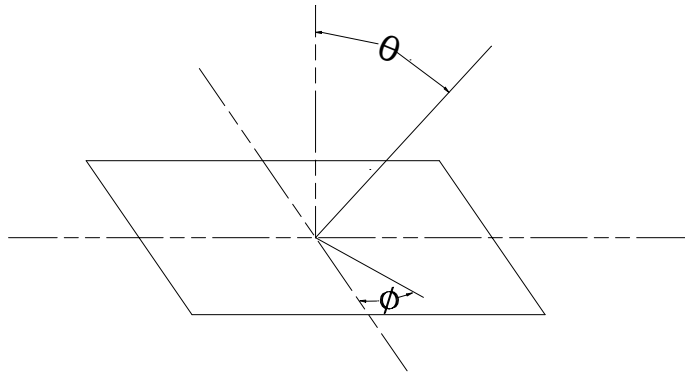
Item	Symbol	Condition	Min	Typ	Max	Unit
Input voltage (high)	Vih	H level	0.8Vdd	-	Vdd	V
Input voltage (low)	Vil	L level	0	-	0.2Vdd	V
Recommended LC Driving Voltage	Vdd - Vo	-20°C	-		9.5	V
		25°C		6.5	-	
		70°C	4.5		-	
Power Supply Current	Idd	Vdd=5.0V	-	-	13.0	mA

5.0 OPTICAL CHARACTERISTICS

Item Mode		Cr (Contrast Ratio)		θ (Viewing Angle)		ϕ (Viewing Angle)	
		25°C		25°C		25°C	
		MIN.	TYP.	MIN	TYP.	MIN	TYP.
R	A	2.8	3.05	80°	85°	-	35°
	B	7.10	7.70	80°	85°	-	35°
	C	-	-	-	-	-	-
S	A	2.49	2.99	80°	85°	-	35°
	B	7.05	7.55	80°	85°	-	35°
	C	-	-	-	-	-	-

Note:

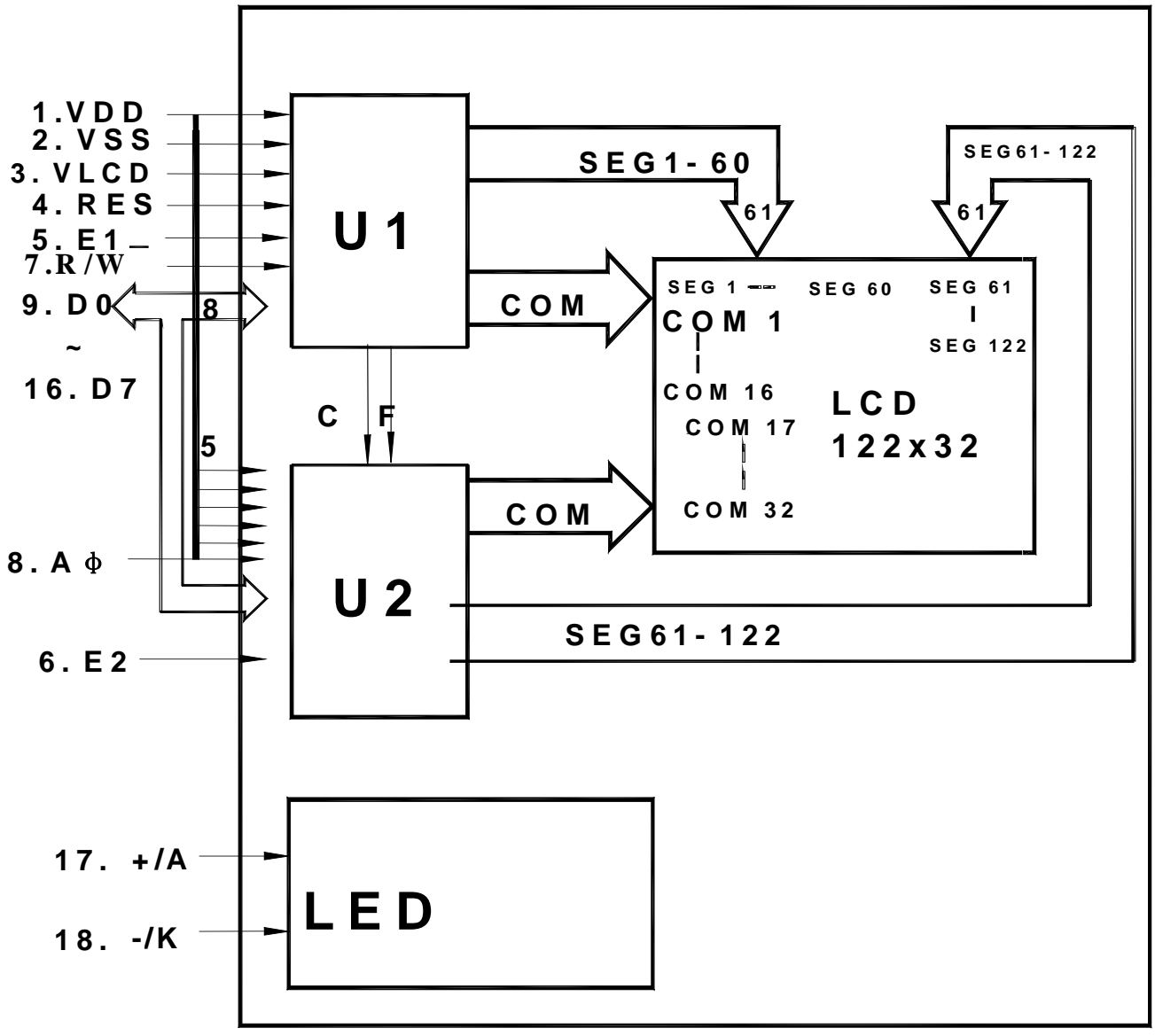
- R: Reflective
- S: Transflective
- A: STN Gray
- B: STN Yellow
- C: FSTN



At: $\phi = 0^\circ, \theta = 0^\circ$

Item	Symbol	Condition	Min	Typ	Max	Unit
Response time (rise)	Tr	25 °C	-	80	160	ms
Response time (fall)	Tf	25°C	-	50	100	ms

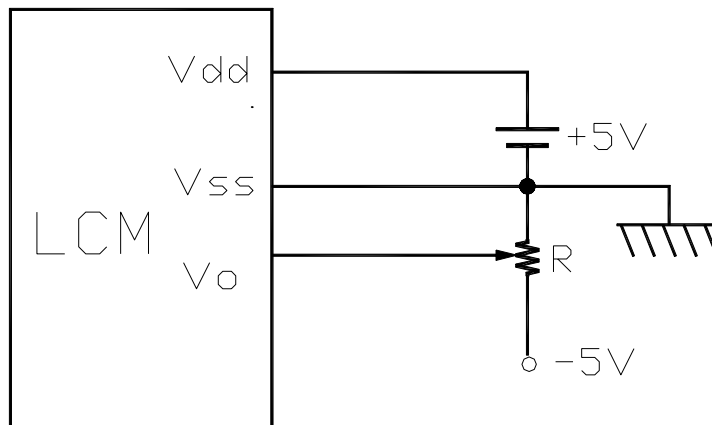
6.0 BLOCK DIAGRAM



7.0 PIN ASSIGNMENT

Pin No.	Symbol	Function	Level
1	Vdd	Power Supply For Logic Circuit	-
2	Vss	Ground	-
3	VLCD	Power Supply For LCD Driving	-
4	RES	Reset	
5	E1	Enable for IC1	H/L
6	E2	Enable for IC2	H/L
7	R/W	H: Data read L:Z Data write	H/L
8	AØ	Instruction/Data	H/L
9	DB0	Data bit 0	H/L
10	DB1	Data bit 1	H/L
11	DB2	Data bit 2	H/L
12	DB3	Data bit 3	H/L
13	DB4	Data bit 4	H/L
14	DB5	Data bit 5	H/L
15	DB6	Data bit 6	H/L
16	DB7	Data bit 7	H/L
17	K/BL-	Power Supply for BL+	-
18	A/BL+	Power Supply for BL-	-

8.0 POWER SUPPLY



9.0 TIMING CHARACTERISTICS

Item	Symbol	Test Condition	Min.	Tvp.	Max.	Unit
System cycle time	t_{CYC6}	Fig. a, Fig. b	1000	-	-	ns
Address setup time	t_{AW6}	Fig. a, Fig. b	20	-	-	ns
Address hold time	t_{AH6}	Fig. a, Fig. b	10	-	-	ns
Data hold time	t_{DH6}	Fig. a	10	-	-	ns
Data setup time	t_{DS6}	Fig. a	80	-	-	ns
Output disable time	t_{OH6}	CL=100 pF	10	-	60	ns
Access time	t_{ACC6}		-	-	90	
Enable pulsewidth	Read	T_{EW}	100			
	Write		80			
Rise and fall time	T_r, T_f	Fig. a, Fig. b	-	-	15	ns

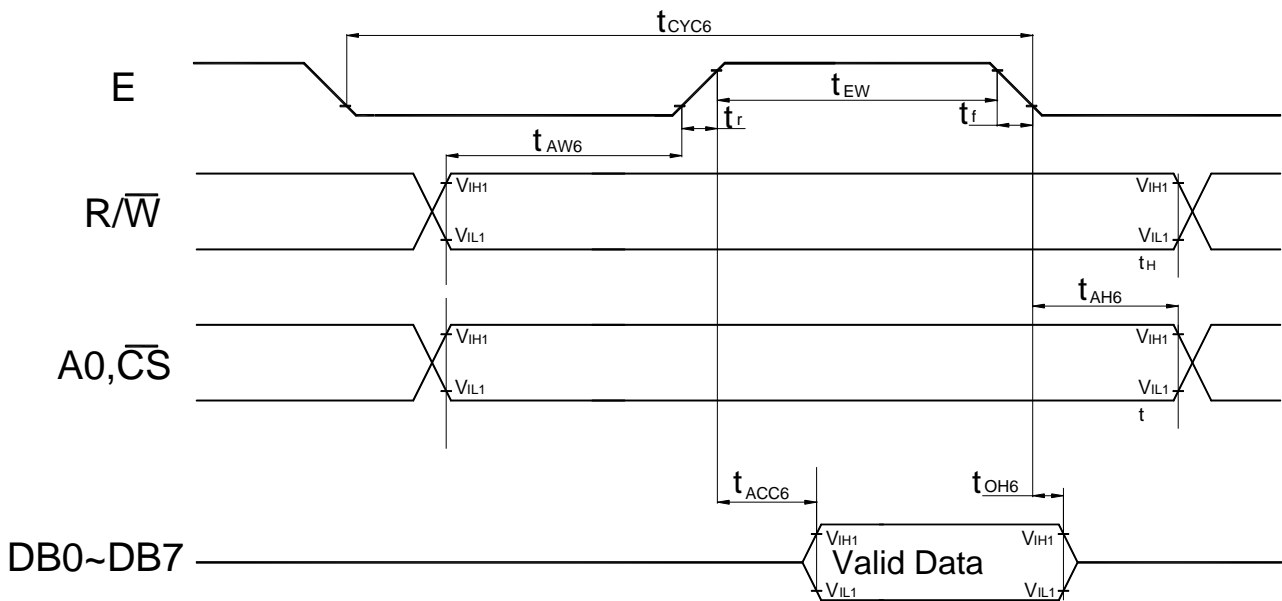


Fig. a Interface timing (data Read)

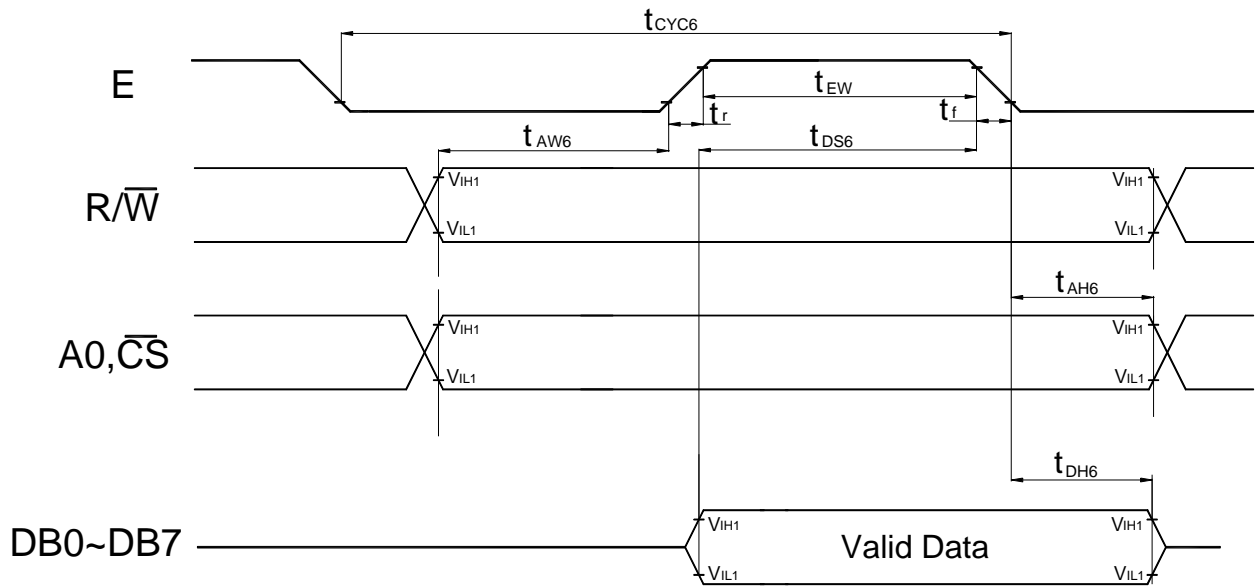


Fig. b Interface timing (data Write)

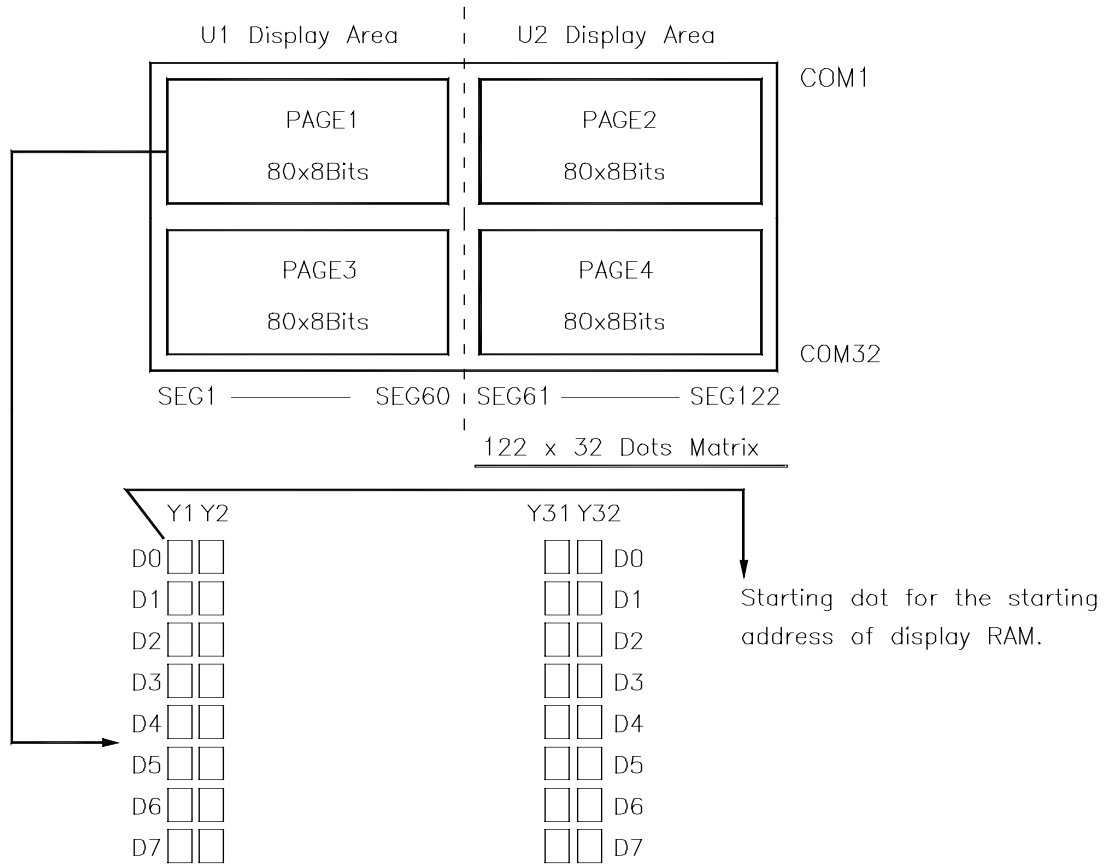
10.0 RELIABILITY TEST

Storage Condition	Content	Evaluations and Assessment*			
		Current Consumption	Oozing	Contrast	Other Appearances
Operation at high temperature and humidity	50°C, 90% RH, 240hrs	Twice initial value or less	none	More than 80% of initial value	No abnormality
High temperature storage	60°C, 240hrs	Twice initial value or less	none	More than 80% of initial value	No abnormality
Low temperature storage	-10°C, 240hrs	Twice initial value or less		More than 80% of initial value	No abnormality

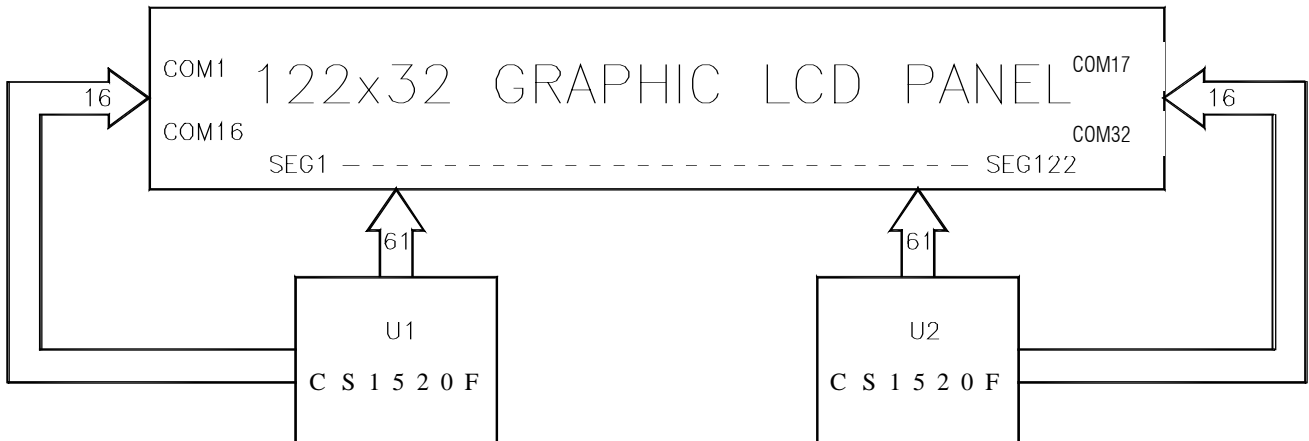
*Evaluations and assessment to be made two hours after returning to room temperature (25°C±5°C).

*The LCDs subjected to the test must not have dew condensation.

11.0 RELATION BETWEEN DISPLAY PATTERN AND DRIVERS



Each segment driver has 4 pages RAM, and each page has 80x8 bits RAM.
 D0~D7 are 8 bits transmitted data, where D0 is LSB and D7 is MSB.



12.0 DISPLAY CONTROL INSTRUCTION

The display control instructions control the internal state of the SED1520DOA/FOA. Instructions are received from MPU to SED1520DOA/FOA for the display control.

INSTRUCTION	A0	RD	R/W	DB7	DB6	DB5	DB4	DB3	DB2	DB1	DB0	DESCRIPTION
Display ON/OFF	0	1	0	1	0	1	0	1	1	1	1/0	Turns display on or off. 0: OFF. 1:ON
Set Page Address	0	1	0	1	0	1	1	1	0	Page (0~3)		Sets display RAM Page in Page address register
Set Column (Segment address)	0	1	0	0	Column address (0~79)						Sets display RAM column address in column address register	
Display Start Line	0	1	0	1	1	0	Display start line (0~31)					Indicates the display data RAM displayed at the top of the screen.
Status Read	0	0	1	BUSY	ADC	ON/OFF	RESET	0	0	0	0	Reads the following status: BUSY 0: Ready 1: Busy ADC 1: CW output 0: CCW output ON/OFF 0: Display on 1: Display off RESET 0: Normal 1: Being Reset
Write Display Data	1	1	0	Write Data							Writes data DB0~DB7 from bus into display data RAM.	
Read Display Data	1	0	1	Read Data							Reads data DB0~DB7 from display data RAM onto the data bus.	
Select ADC	0	1	0	1	0	1	0	0	0	0	0/1	0: CW output, 1: CCW output
Static drive ON/OFF	0	1	0	1	0	1	0	0	1	0	0/1	1: Static drive, 0: Normal driving
Select duty	0	1	0	1	0	1	0	1	0	0	0/1	Select LCD duty cycle 1:1/32, 0: 1/16
Read-Modify-Wreti	0	1	0	1	1	1	0	0	0	0	0	Read-Modify-write ON
END	0	1	0	1	1	1	0	1	1	1	0	Read-Modify-write OFF
Reset	0	1	0	1	1	1	0	0	0	1	0	Software reset