

## LOW-VOLTAGE H-BRIDGE IC

Check for Samples: [DRV8837](#)

### FEATURES

- **H-Bridge Motor Driver**
  - **Drives a DC Motor or One Winding of a Stepper Motor or Other Loads**
  - **Low MOSFET On-Resistance: HS + LS 280 mΩ**
- **1.8-A Maximum Drive Current**
- **1.8-V to 11-V Motor-Operating Supply-Voltage Range**
- **Separate Motor and Logic Supply Pins**
- **PWM (IN/IN) Interface**
- **Low-Power Sleep Mode With 120-nA Maximum Combined Supply Current**
- **Dedicated SLEEP Pin**
- **2-mm × 2-mm 8-Pin WSON Package**

### APPLICATIONS

- **Cameras**
- **DSLR Lenses**
- **Consumer Products**
- **Toys**
- **Robotics**
- **Medical Devices**

### DESCRIPTION

The DRV8837 provides an integrated motor-driver solution for cameras, consumer products, toys, and other low-voltage or battery-powered motion-control applications. The device has one H-bridge driver, and can drive one dc motor or one winding of a stepper motor, as well as other devices like solenoids. The output driver block consists of N-channel power MOSFETs configured as an H-bridge to drive the motor winding. An internal charge pump generates needed gate-drive voltages.

The DRV8837 can supply up to 1.8 A of output current. It operates on a motor power-supply voltage from 1.8 V to 11 V, and a device power-supply voltage of 1.8 V to 7 V.

The DRV8837 has a PWM (IN/IN) input interface, which is compatible with industry-standard devices.

Internal shutdown functions are provided for overcurrent protection, short-circuit protection, undervoltage lockout and overtemperature.

The DRV8837 is packaged in an 8-pin 2-mm × 2-mm WSON PowerPAD™ package.

**PRODUCT PREVIEW**

Please be aware that an important notice concerning availability, standard warranty, and use in critical applications of Texas Instruments semiconductor products and disclaimers thereto appears at the end of this data sheet.

PowerPAD is a trademark of Texas Instruments.

PRODUCT PREVIEW information concerns products in the formative or design phase of development. Characteristic data and other specifications are design goals. Texas Instruments reserves the right to change or discontinue these products without notice.

Copyright © 2012, Texas Instruments Incorporated



This integrated circuit can be damaged by ESD. Texas Instruments recommends that all integrated circuits be handled with appropriate precautions. Failure to observe proper handling and installation procedures can cause damage.

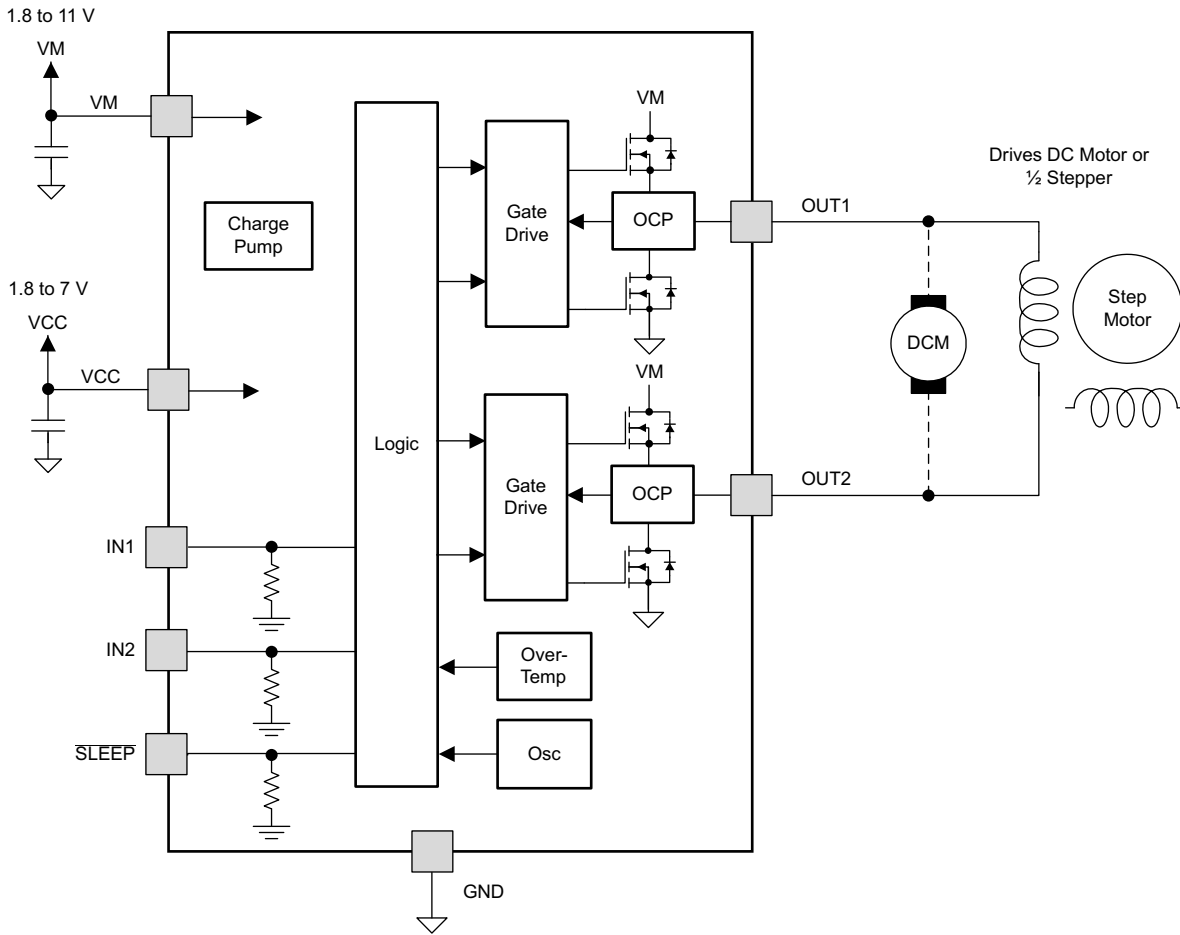
ESD damage can range from subtle performance degradation to complete device failure. Precision integrated circuits may be more susceptible to damage because very small parametric changes could cause the device not to meet its published specifications.

**ORDERING INFORMATION<sup>(1)</sup>**

ORDERABLE PART NUMBER	PACKAGE	TOPSIDE MARKING	SHIPPING
DRV8837DSGR	WSON – DSG	837	Reel of 3000
DRV8837DSGT	WSON – DSG	837	Reel of 250

(1) For the most-current packaging and ordering information, see the Package Option Addendum at the end of this document, or see the TI Web site at [www.ti.com](http://www.ti.com).

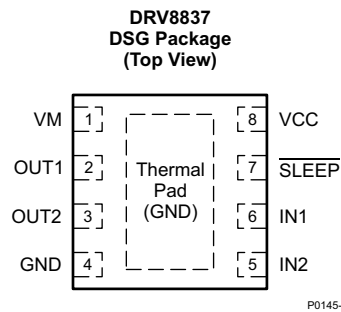
**FUNCTIONAL BLOCK DIAGRAM**



B0479-01

**Figure 1. Functional Block Diagram**

PRODUCT PREVIEW



**PIN DESCRIPTIONS**

PIN		I/O	DESCRIPTION	EXTERNAL COMPONENTS OR CONNECTIONS
NAME	NO.			
<b>Power and Ground</b>				
GND	4	–	Device ground	
VCC	8	–	Device supply	Bypass to GND with a 0.1- $\mu$ F 6.3-V ceramic capacitor.
VM	1	–	Motor supply	Bypass to GND with a 0.1- $\mu$ F 16-V ceramic capacitor.
<b>Control</b>				
IN1	6	I	Input 1	Logic-high sets OUT1 high Internal pulldown resistor
IN2	5	I	Input 2	Logic-high sets OUT2 high Internal pulldown resistor
$\overline{\text{SLEEP}}$	7	I	Sleep mode input	Logic-low puts device in low-power sleep mode Logic-high for normal operation Internal pulldown resistor
<b>Output</b>				
OUT1	2	O	Output 1	Connect to motor winding
OUT2	3	O	Output 2	

**ABSOLUTE MAXIMUM RATINGS**

over operating free-air temperature range (unless otherwise noted)<sup>(1)(2)</sup>

		VALUE	UNIT
VM	Power supply voltage range	–0.3 to 12	V
VCC	Power supply voltage range	–0.3 V to 7	V
	Digital pin voltage range	–0.5 V to 7	V
	Peak motor drive output current	Internally limited	A
T <sub>J</sub>	Operating virtual junction temperature range	–40 to 150	°C
T <sub>stg</sub>	Storage temperature range	–60 to 150	°C

- (1) Stresses beyond those listed under *Absolute Maximum Ratings* may cause permanent damage to the device. These are stress ratings only, and functional operation of the device at these or any other conditions beyond those indicated under *Recommended Operating Conditions* is not implied. Exposure to absolute-maximum-rated conditions for extended periods may affect device reliability.
- (2) All voltage values are with respect to network ground terminal.

**PRODUCT PREVIEW**

**THERMAL INFORMATION**

THERMAL METRIC <sup>(1)</sup>		DRV8837	UNIT
		DSG	
		8 PINS	
$\theta_{JA}$	Junction-to-ambient thermal resistance <sup>(2)</sup>	60.9	°C/W
$\theta_{JcTop}$	Junction-to-case (top) thermal resistance <sup>(3)</sup>	71.4	°C/W
$\theta_{JB}$	Junction-to-board thermal resistance <sup>(4)</sup>	32.2	°C/W
$\psi_{JT}$	Junction-to-top characterization parameter <sup>(5)</sup>	1.6	°C/W
$\psi_{JB}$	Junction-to-board characterization parameter <sup>(6)</sup>	32.8	°C/W
$\theta_{JcBot}$	Junction-to-case (bottom) thermal resistance <sup>(7)</sup>	9.8	°C/W

- (1) For more information about traditional and new thermal metrics, see the *IC Package Thermal Metrics* application report, [SPRA953](#).
- (2) The junction-to-ambient thermal resistance under natural convection is obtained in a simulation on a JEDEC-standard, high-K board, as specified in JESD51-7, in an environment described in JESD51-2a.
- (3) The junction-to-case (top) thermal resistance is obtained by simulating a cold plate test on the package top. No specific JEDEC-standard test exists, but a close description can be found in the ANSI SEMI standard G30-88.
- (4) The junction-to-board thermal resistance is obtained by simulating in an environment with a ring cold plate fixture to control the PCB temperature, as described in JESD51-8.
- (5) The junction-to-top characterization parameter,  $\psi_{JT}$ , estimates the junction temperature of a device in a real system and is extracted from the simulation data for obtaining  $\theta_{JA}$ , using a procedure described in JESD51-2a (sections 6 and 7).
- (6) The junction-to-board characterization parameter,  $\psi_{JB}$ , estimates the junction temperature of a device in a real system and is extracted from the simulation data for obtaining  $\theta_{JA}$ , using a procedure described in JESD51-2a (sections 6 and 7).
- (7) The junction-to-case (bottom) thermal resistance is obtained by simulating a cold plate test on the exposed (power) pad. No specific JEDEC standard test exists, but a close description can be found in the ANSI SEMI standard G30-88.

## RECOMMENDED OPERATING CONDITIONS

over operating free-air temperature range (unless otherwise noted)

		MIN	NOM	MAX	UNIT
V <sub>CC</sub>	Device power supply voltage range	1.8		7	V
V <sub>M</sub>	Motor power-supply voltage range	1.8		11	V
I <sub>OUT</sub>	H-bridge output current <sup>(1)</sup>	0		1.8	A
f <sub>PWM</sub>	Externally applied PWM frequency	0		250	kHz
V <sub>IN</sub>	Logic-level input voltage	0		5.5	V

(1) Power dissipation and thermal limits must be observed.

## ELECTRICAL CHARACTERISTICS

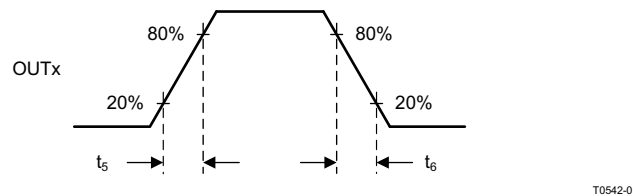
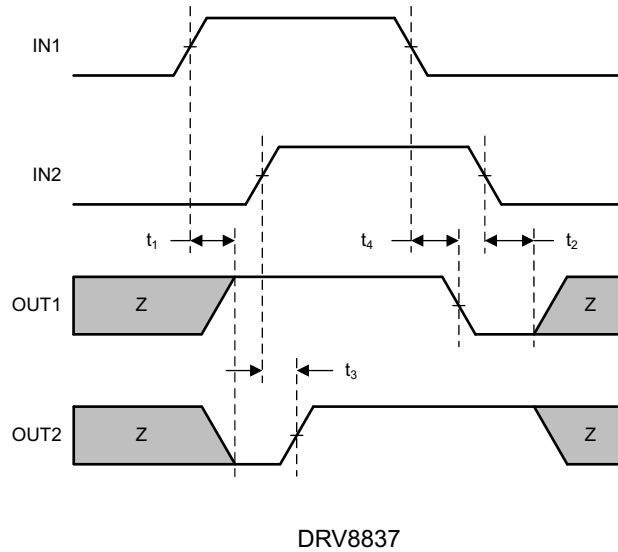
 T<sub>A</sub> = 25°C, V<sub>M</sub> = 5 V, V<sub>CC</sub> = 3 V (unless otherwise noted)

PARAMETER		TEST CONDITIONS	MIN	TYP	MAX	UNIT
<b>Power Supplies</b>						
I <sub>VM</sub>	VM operating supply current	V <sub>M</sub> = 5 V, V <sub>CC</sub> = 3 V, no PWM		40	100	μA
		V <sub>M</sub> = 5 V, V <sub>CC</sub> = 3 V, 50-kHz PWM		0.8	1.5	mA
I <sub>VMQ</sub>	VM sleep-mode supply current	V <sub>M</sub> = 5 V, V <sub>CC</sub> = 3 V, $\overline{\text{SLEEP}} = 0$ V		30	95	nA
I <sub>VCC</sub>	VCC operating supply current	V <sub>M</sub> = 5 V, V <sub>CC</sub> = 3 V, no PWM		300	500	μA
		V <sub>M</sub> = 5 V, V <sub>CC</sub> = 3 V, 50-kHz PWM		0.7	1.5	mA
I <sub>VCCQ</sub>	VCC sleep-mode supply current	V <sub>M</sub> = 5 V, V <sub>CC</sub> = 3 V, $\overline{\text{SLEEP}} = 0$ V		5	25	nA
V <sub>UVLO</sub>	VCC undervoltage lockout voltage	V <sub>CC</sub> rising			1.8	V
		V <sub>CC</sub> falling			1.7	V
<b>Logic-Level Inputs</b>						
V <sub>IL</sub>	Input low voltage		0.25 V <sub>CC</sub>	0.38 V <sub>CC</sub>		V
V <sub>IH</sub>	Input high voltage			0.46 V <sub>CC</sub>	0.5 V <sub>CC</sub>	V
V <sub>HYS</sub>	Input hysteresis			0.08 V <sub>CC</sub>		V
I <sub>IL</sub>	Input low current	V <sub>IN</sub> = 0 V	-5		5	μA
I <sub>IH</sub>	Input high current	V <sub>IN</sub> = 3.3 V			50	μA
R <sub>PD</sub>	Pulldown resistance			100		kΩ
<b>H-Bridge FETs</b>						
r <sub>ds(on)</sub>	HS + LS FET on-resistance	V <sub>CC</sub> = 3 V, V <sub>M</sub> = 5 V, I <sub>O</sub> = 800 mA, T <sub>J</sub> = 25°C		280	330	mΩ
I <sub>OFF</sub>	Off-state leakage current	V <sub>OUT</sub> = 0 V			±200	nA
<b>Protection Circuits</b>						
I <sub>OCP</sub>	Overcurrent protection trip level		1.9		3.5	A
t <sub>OCR</sub>	OCP retry time			1		ms
t <sub>TSD</sub>	Thermal shutdown temperature	Die temperature	150	160	180	°C

## TIMING REQUIREMENTS

 T<sub>A</sub> = 25°C, V<sub>M</sub> = 5 V, V<sub>CC</sub> = 3 V, R<sub>L</sub> = 20 Ω

			MIN	MAX	UNIT
1	t <sub>1</sub>	Output enable time		120	ns
2	t <sub>2</sub>	Output disable time		120	ns
3	t <sub>3</sub>	Delay time, INx high to OUTx high		120	ns
4	t <sub>4</sub>	Delay time, INx low to OUTx low		120	ns
5	t <sub>5</sub>	Output rise time	50	150	ns
6	t <sub>6</sub>	Output fall time	50	150	ns



**Figure 2. Input/Output Timing**

**FUNCTIONAL DESCRIPTION**

**Bridge Control**

The DRV8837 is controlled using a PWM input interface, also called an IN/IN interface. Each output is controlled by a corresponding input pin.

The following table shows the logic for the DRV8837:

IN1	IN2	OUT1	OUT2	Function (DC Motor)
0	0	Z	Z	Coast
0	1	L	H	Reverse
1	0	H	L	Forward
1	1	L	L	Brake

**Sleep Mode**

If the nSLEEP pin is brought to a logic-low state, the DRV8837 enters a low-power sleep mode. In this state, all unnecessary internal circuitry is powered down.

**Power Supplies and Input Pins**

The input pins may be driven within their recommended operating conditions with or without the VCC and/or VM power supplies present. No leakage current path exists to the supply. There is a weak pulldown resistor (approximately 100 kΩ) to ground on each input pin.

VCC and VM may be applied and removed in any order. When VCC is removed, the device enters a low-power state and draws very little current from VM. If the supply voltage is between 1.8 V and 7 V, VCC and VM may be connected together.

## Protection Circuits

The DRV8837 is fully protected against undervoltage, overcurrent, and overtemperature events.

### OVERCURRENT PROTECTION (OCP)

An analog current limit circuit on each FET limits the current through the FET by removing the gate drive. If this analog current limit persists for longer than the OCP time, all FETs in the H-bridge are disabled. After approximately 1 ms, the bridge is re-enabled automatically.

Overcurrent conditions on both high- and low-side devices, that is, a short to ground, supply, or across the motor winding all result in an overcurrent shutdown.

### THERMAL SHUTDOWN (TSD)

If the die temperature exceeds safe limits, all FETs in the H-bridge are disabled. Once the die temperature has fallen to a safe level, operation automatically resumes.

### UNDERVOLTAGE LOCKOUT (UVLO)

If at any time the voltage on the VCC pin falls below the undervoltage lockout threshold voltage, all circuitry in the device is disabled and internal logic is reset. Operation resumes when VCC rises above the UVLO threshold.

## THERMAL INFORMATION

### Thermal Protection

The DRV8837 has thermal shutdown (TSD) as described in the [Protection Circuits](#) section. If the die temperature exceeds approximately 150°C, the device is disabled until the temperature drops to a safe level.

Any tendency of the device to enter thermal shutdown is an indication of either excessive power dissipation, insufficient heatsinking, or too high an ambient temperature.

### Power Dissipation

Power dissipation in the DRV8837 is dominated by the power dissipated in the output FET resistance, or  $r_{DS(on)}$ . Average power dissipation can be roughly estimated by:

$$P_{TOT} = r_{DS(on)} \times (I_{OUT(RMS)})^2 \quad (1)$$

where  $P_{TOT}$  is the total power dissipation,  $r_{DS(on)}$  is the resistance of the HS plus LS FETs, and  $I_{OUT(RMS)}$  is the rms or dc output current being supplied to the load.

The maximum amount of power that can be dissipated in the device is dependent on ambient temperature and heatsinking.

Note that  $r_{DS(on)}$  increases with temperature, so as the device heats, the power dissipation increases.

**PACKAGING INFORMATION**

Orderable Device	Status <sup>(1)</sup>	Package Type	Package Drawing	Pins	Package Qty	Eco Plan <sup>(2)</sup>	Lead/ Ball Finish	MSL Peak Temp <sup>(3)</sup>	Samples (Requires Login)
DRV8837DSGR	ACTIVE	WSON	DSG	8	3000	Green (RoHS & no Sb/Br)	CU NIPDAU	Level-2-260C-1 YEAR	
DRV8837DSGT	ACTIVE	WSON	DSG	8	250	Green (RoHS & no Sb/Br)	CU NIPDAU	Level-2-260C-1 YEAR	

<sup>(1)</sup> The marketing status values are defined as follows:

**ACTIVE:** Product device recommended for new designs.

**LIFEBUY:** TI has announced that the device will be discontinued, and a lifetime-buy period is in effect.

**NRND:** Not recommended for new designs. Device is in production to support existing customers, but TI does not recommend using this part in a new design.

**PREVIEW:** Device has been announced but is not in production. Samples may or may not be available.

**OBSOLETE:** TI has discontinued the production of the device.

<sup>(2)</sup> Eco Plan - The planned eco-friendly classification: Pb-Free (RoHS), Pb-Free (RoHS Exempt), or Green (RoHS & no Sb/Br) - please check <http://www.ti.com/productcontent> for the latest availability information and additional product content details.

**TBD:** The Pb-Free/Green conversion plan has not been defined.

**Pb-Free (RoHS):** TI's terms "Lead-Free" or "Pb-Free" mean semiconductor products that are compatible with the current RoHS requirements for all 6 substances, including the requirement that lead not exceed 0.1% by weight in homogeneous materials. Where designed to be soldered at high temperatures, TI Pb-Free products are suitable for use in specified lead-free processes.

**Pb-Free (RoHS Exempt):** This component has a RoHS exemption for either 1) lead-based flip-chip solder bumps used between the die and package, or 2) lead-based die adhesive used between the die and leadframe. The component is otherwise considered Pb-Free (RoHS compatible) as defined above.

**Green (RoHS & no Sb/Br):** TI defines "Green" to mean Pb-Free (RoHS compatible), and free of Bromine (Br) and Antimony (Sb) based flame retardants (Br or Sb do not exceed 0.1% by weight in homogeneous material)

<sup>(3)</sup> MSL, Peak Temp. -- The Moisture Sensitivity Level rating according to the JEDEC industry standard classifications, and peak solder temperature.

**Important Information and Disclaimer:** The information provided on this page represents TI's knowledge and belief as of the date that it is provided. TI bases its knowledge and belief on information provided by third parties, and makes no representation or warranty as to the accuracy of such information. Efforts are underway to better integrate information from third parties. TI has taken and continues to take reasonable steps to provide representative and accurate information but may not have conducted destructive testing or chemical analysis on incoming materials and chemicals. TI and TI suppliers consider certain information to be proprietary, and thus CAS numbers and other limited information may not be available for release.

In no event shall TI's liability arising out of such information exceed the total purchase price of the TI part(s) at issue in this document sold by TI to Customer on an annual basis.



**TAPE AND REEL INFORMATION**
**REEL DIMENSIONS**

**TAPE DIMENSIONS**


A0	Dimension designed to accommodate the component width
B0	Dimension designed to accommodate the component length
K0	Dimension designed to accommodate the component thickness
W	Overall width of the carrier tape
P1	Pitch between successive cavity centers

**TAPE AND REEL INFORMATION**

\*All dimensions are nominal

Device	Package Type	Package Drawing	Pins	SPQ	Reel Diameter (mm)	Reel Width W1 (mm)	A0 (mm)	B0 (mm)	K0 (mm)	P1 (mm)	W (mm)	Pin1 Quadrant
DRV8837DSGR	WSON	DSG	8	3000	330.0	8.4	2.3	2.3	1.15	4.0	8.0	Q2
DRV8837DSGT	WSON	DSG	8	250	180.0	8.4	2.3	2.3	1.15	4.0	8.0	Q2

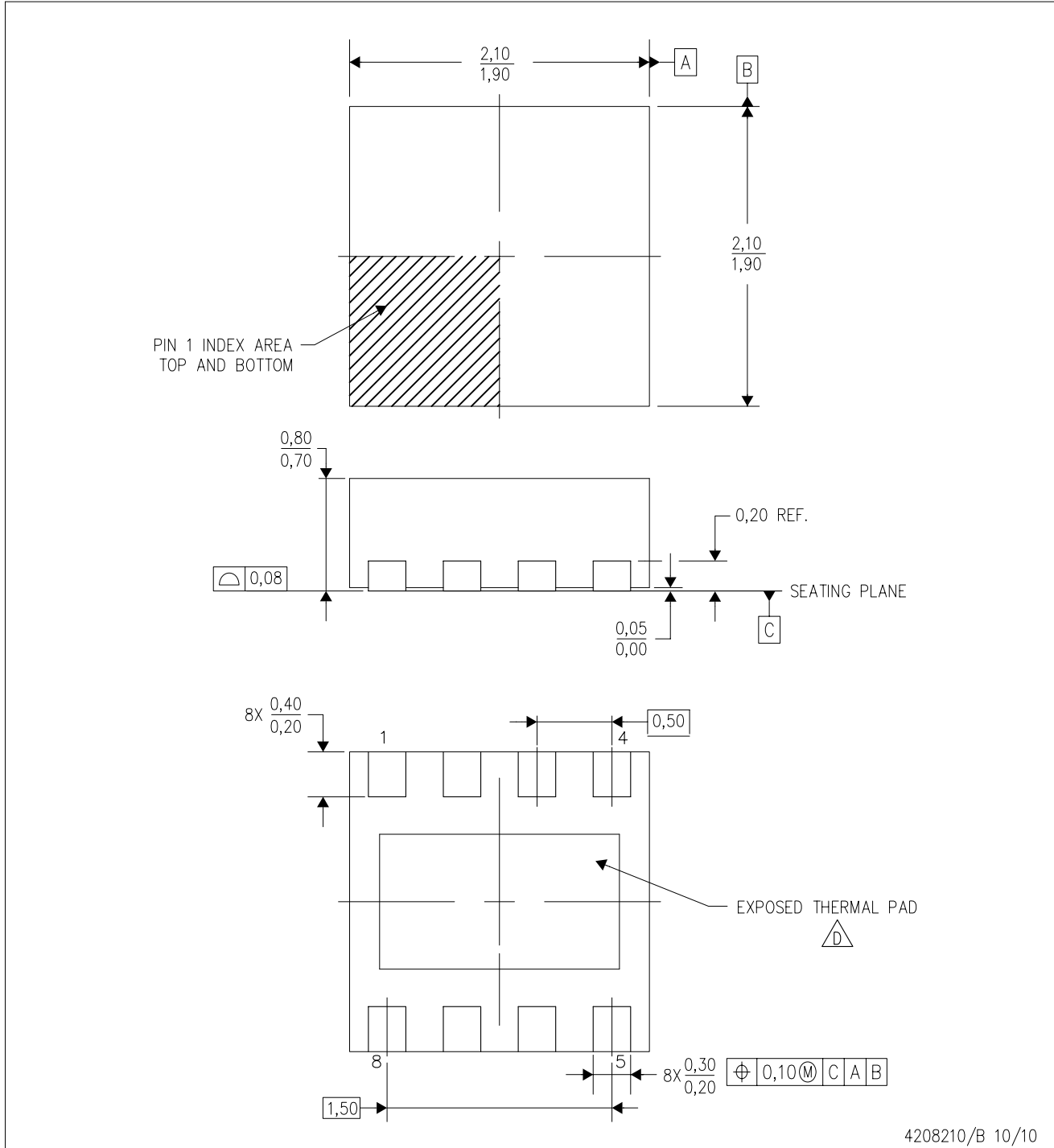
**TAPE AND REEL BOX DIMENSIONS**


\*All dimensions are nominal


Device	Package Type	Package Drawing	Pins	SPQ	Length (mm)	Width (mm)	Height (mm)
DRV8837DSGR	WSON	DSG	8	3000	367.0	367.0	35.0
DRV8837DSGT	WSON	DSG	8	250	210.0	185.0	35.0

DSG (S-PWSON-N8)

PLASTIC SMALL OUTLINE NO-LEAD



4208210/B 10/10

- NOTES:
- A. All linear dimensions are in millimeters. Dimensioning and tolerancing per ASME Y14.5M-1994.
  - B. This drawing is subject to change without notice.
  - C. Quad Flatpack, No-Leads (QFN) package configuration.
  -  The package thermal pad must be soldered to the board for thermal and mechanical performance. See the Product Data Sheet for details regarding the exposed thermal pad dimensions.
  - E. Falls within JEDEC MO-229.

## THERMAL PAD MECHANICAL DATA

DSG (S-PWSON-N8)

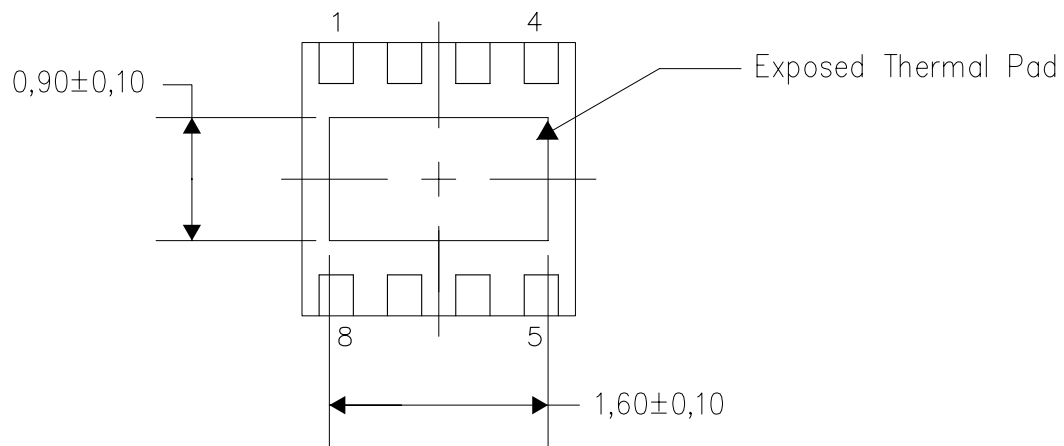
PLASTIC SMALL OUTLINE NO-LEAD

### THERMAL INFORMATION

This package incorporates an exposed thermal pad that is designed to be attached directly to an external heatsink. The thermal pad must be soldered directly to the printed circuit board (PCB). After soldering, the PCB can be used as a heatsink. In addition, through the use of thermal vias, the thermal pad can be attached directly to the appropriate copper plane shown in the electrical schematic for the device, or alternatively, can be attached to a special heatsink structure designed into the PCB. This design optimizes the heat transfer from the integrated circuit (IC).

For information on the Quad Flatpack No-Lead (QFN) package and its advantages, refer to Application Report, QFN/SON PCB Attachment, Texas Instruments Literature No. SLUA271. This document is available at [www.ti.com](http://www.ti.com).

The exposed thermal pad dimensions for this package are shown in the following illustration.

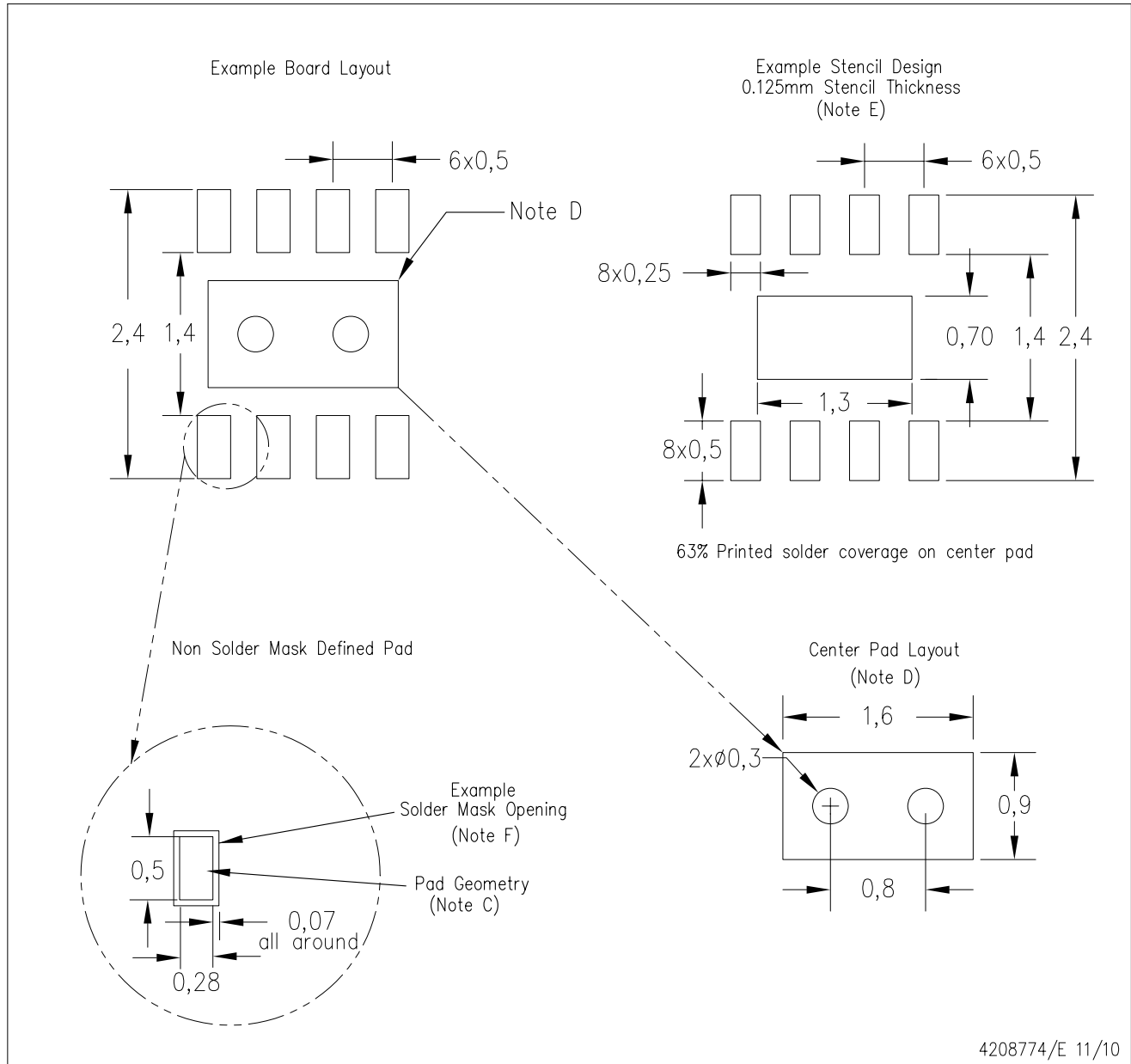


Bottom View

Exposed Thermal Pad Dimensions

4208347/E 11/10

NOTE: A. All linear dimensions are in millimeters



- NOTES:
- All linear dimensions are in millimeters.
  - This drawing is subject to change without notice.
  - Publication IPC-7351 is recommended for alternate designs.
  - This package is designed to be soldered to a thermal pad on the board. Refer to Application Note, QFN/SON PCB Attachment, Texas Instruments Literature No. SLUA271, and also the Product Data Sheets for specific thermal information, via requirements, and recommended board layout. These documents are available at [www.ti.com](http://www.ti.com) <<http://www.ti.com>>.
  - Laser cutting apertures with trapezoidal walls and also rounding corners will offer better paste release. Customers should contact their board assembly site for stencil design recommendations. Refer to IPC 7525 for stencil design considerations.
  - Customers should contact their board fabrication site for solder mask tolerances.

## IMPORTANT NOTICE

Texas Instruments Incorporated and its subsidiaries (TI) reserve the right to make corrections, enhancements, improvements and other changes to its semiconductor products and services per JESD46C and to discontinue any product or service per JESD48B. Buyers should obtain the latest relevant information before placing orders and should verify that such information is current and complete. All semiconductor products (also referred to herein as "components") are sold subject to TI's terms and conditions of sale supplied at the time of order acknowledgment.

TI warrants performance of its components to the specifications applicable at the time of sale, in accordance with the warranty in TI's terms and conditions of sale of semiconductor products. Testing and other quality control techniques are used to the extent TI deems necessary to support this warranty. Except where mandated by applicable law, testing of all parameters of each component is not necessarily performed.

TI assumes no liability for applications assistance or the design of Buyers' products. Buyers are responsible for their products and applications using TI components. To minimize the risks associated with Buyers' products and applications, Buyers should provide adequate design and operating safeguards.

TI does not warrant or represent that any license, either express or implied, is granted under any patent right, copyright, mask work right, or other intellectual property right relating to any combination, machine, or process in which TI components or services are used. Information published by TI regarding third-party products or services does not constitute a license to use such products or services or a warranty or endorsement thereof. Use of such information may require a license from a third party under the patents or other intellectual property of the third party, or a license from TI under the patents or other intellectual property of TI.

Reproduction of significant portions of TI information in TI data books or data sheets is permissible only if reproduction is without alteration and is accompanied by all associated warranties, conditions, limitations, and notices. TI is not responsible or liable for such altered documentation. Information of third parties may be subject to additional restrictions.

Resale of TI components or services with statements different from or beyond the parameters stated by TI for that component or service voids all express and any implied warranties for the associated TI component or service and is an unfair and deceptive business practice. TI is not responsible or liable for any such statements.

Buyer acknowledges and agrees that it is solely responsible for compliance with all legal, regulatory and safety-related requirements concerning its products, and any use of TI components in its applications, notwithstanding any applications-related information or support that may be provided by TI. Buyer represents and agrees that it has all the necessary expertise to create and implement safeguards which anticipate dangerous consequences of failures, monitor failures and their consequences, lessen the likelihood of failures that might cause harm and take appropriate remedial actions. Buyer will fully indemnify TI and its representatives against any damages arising out of the use of any TI components in safety-critical applications.

In some cases, TI components may be promoted specifically to facilitate safety-related applications. With such components, TI's goal is to help enable customers to design and create their own end-product solutions that meet applicable functional safety standards and requirements. Nonetheless, such components are subject to these terms.

No TI components are authorized for use in FDA Class III (or similar life-critical medical equipment) unless authorized officers of the parties have executed a special agreement specifically governing such use.

Only those TI components which TI has specifically designated as military grade or "enhanced plastic" are designed and intended for use in military/aerospace applications or environments. Buyer acknowledges and agrees that any military or aerospace use of TI components which have **not** been so designated is solely at the Buyer's risk, and that Buyer is solely responsible for compliance with all legal and regulatory requirements in connection with such use.

TI has specifically designated certain components which meet ISO/TS16949 requirements, mainly for automotive use. Components which have not been so designated are neither designed nor intended for automotive use; and TI will not be responsible for any failure of such components to meet such requirements.

### Products

Audio	<a href="http://www.ti.com/audio">www.ti.com/audio</a>
Amplifiers	<a href="http://amplifier.ti.com">amplifier.ti.com</a>
Data Converters	<a href="http://dataconverter.ti.com">dataconverter.ti.com</a>
DLP® Products	<a href="http://www.dlp.com">www.dlp.com</a>
DSP	<a href="http://dsp.ti.com">dsp.ti.com</a>
Clocks and Timers	<a href="http://www.ti.com/clocks">www.ti.com/clocks</a>
Interface	<a href="http://interface.ti.com">interface.ti.com</a>
Logic	<a href="http://logic.ti.com">logic.ti.com</a>
Power Mgmt	<a href="http://power.ti.com">power.ti.com</a>
Microcontrollers	<a href="http://microcontroller.ti.com">microcontroller.ti.com</a>
RFID	<a href="http://www.ti-rfid.com">www.ti-rfid.com</a>
OMAP Mobile Processors	<a href="http://www.ti.com/omap">www.ti.com/omap</a>
Wireless Connectivity	<a href="http://www.ti.com/wirelessconnectivity">www.ti.com/wirelessconnectivity</a>

### Applications

Automotive and Transportation	<a href="http://www.ti.com/automotive">www.ti.com/automotive</a>
Communications and Telecom	<a href="http://www.ti.com/communications">www.ti.com/communications</a>
Computers and Peripherals	<a href="http://www.ti.com/computers">www.ti.com/computers</a>
Consumer Electronics	<a href="http://www.ti.com/consumer-apps">www.ti.com/consumer-apps</a>
Energy and Lighting	<a href="http://www.ti.com/energy">www.ti.com/energy</a>
Industrial	<a href="http://www.ti.com/industrial">www.ti.com/industrial</a>
Medical	<a href="http://www.ti.com/medical">www.ti.com/medical</a>
Security	<a href="http://www.ti.com/security">www.ti.com/security</a>
Space, Avionics and Defense	<a href="http://www.ti.com/space-avionics-defense">www.ti.com/space-avionics-defense</a>
Video and Imaging	<a href="http://www.ti.com/video">www.ti.com/video</a>

**TI E2E Community** [e2e.ti.com](http://e2e.ti.com)