

16-bit Proprietary Microcontroller

F²MC-16FX MB966B0 Series

MB96F6B5R/A, MB96F6B6R

■ DESCRIPTION

MB966B0 series is based on FUJITSU's advanced F²MC-16FX architecture (16-bit with instruction pipeline for RISC-like performance). The CPU uses the same instruction set as the established F²MC-16LX family thus allowing for easy migration of F²MC-16LX Software to the new F²MC-16FX products. F²MC-16FX product improvements compared to the previous generation include significantly improved performance - even at the same operation frequency, reduced power consumption and faster start-up time.

For high processing speed at optimized power consumption an internal PLL can be selected to supply the CPU with up to 32MHz operation frequency from an external 4MHz to 8MHz resonator. The result is a minimum

instruction cycle time of 31.2ns going together with excellent EMI behavior. The emitted power is minimized by the on-chip voltage regulator that reduces the internal CPU voltage. A flexible clock tree allows selecting suitable operation frequencies for peripheral resources independent of the CPU speed.

Note: F²MC is the abbreviation of FUJITSU Flexible Microcontroller.

FUJITSU SEMICONDUCTOR provides information facilitating product development via the following website. The website contains information useful for customers.

<http://edevic.fujitsu.com/micom/en-support/>

■ FEATURES

- Technology
 - 0.18 μ m CMOS

- CPU
 - F²MC-16FX CPU
 - Optimized instruction set for controller applications (bit, byte, word and long-word data types, 23 different addressing modes, barrel shift, variety of pointers)
 - 8-byte instruction queue
 - Signed multiply (16-bit \times 16-bit) and divide (32-bit/16-bit) instructions available

- System clock
 - On-chip PLL clock multiplier ($\times 1$ to $\times 8$, $\times 1$ when PLL stop)
 - 4MHz to 8MHz crystal oscillator (maximum frequency when using ceramic resonator depends on Q-factor)
 - Up to 8MHz external clock for devices with fast clock input feature
 - 32.768kHz subsystem quartz clock
 - 100kHz/2MHz internal RC clock for quick and safe startup, clock stop detection function, watchdog
 - Clock source selectable from mainclock oscillator, subclock oscillator and on-chip RC oscillator, independently for CPU and 2 clock domains of peripherals
 - The subclock oscillator is enabled by the Boot ROM program controlled by a configuration marker after a Power or External reset
 - Low Power Consumption - 13 operating modes (different Run, Sleep, Timer, Stop modes)

- On-chip voltage regulator
 - Internal voltage regulator supports a wide MCU supply voltage range (Min=2.7V), offering low power consumption

- Low voltage detection function
 - Reset is generated when supply voltage falls below programmable reference voltage

- Code Security
 - Protects Flash Memory content from unintended read-out

- DMA
 - Automatic transfer function independent of CPU, can be assigned freely to resources

- Interrupts
 - Fast Interrupt processing
 - 8 programmable priority levels
 - Non-Maskable Interrupt (NMI)

- CAN
 - Supports CAN protocol version 2.0 part A and B
 - ISO16845 certified
 - Bit rates up to 1Mbps
 - 32 message objects
 - Each message object has its own identifier mask
 - Programmable FIFO mode (concatenation of message objects)
 - Maskable interrupt
 - Disabled Automatic Retransmission mode for Time Triggered CAN applications
 - Programmable loop-back mode for self-test operation

- **USART**
 - Full duplex USARTs (SCI/LIN)
 - Wide range of baud rate settings using a dedicated reload timer
 - Special synchronous options for adapting to different synchronous serial protocols
 - LIN functionality working either as master or slave LIN device
 - Extended support for LIN-Protocol with 16-byte FIFO for selected channels to reduce interrupt load
- **I²C**
 - Up to 400kbps
 - Master and Slave functionality, 7-bit and 10-bit addressing
- **A/D converter**
 - SAR-type
 - 8/10-bit resolution
 - Signals interrupt on conversion end, single conversion mode, continuous conversion mode, stop conversion mode, activation by software, external trigger, reload timers and PPGs
 - Range Comparator Function
 - Scan Disable Function
 - ADC Pulse Detection Function
- **Source Clock Timers**
 - Three independent clock timers (23-bit RC clock timer, 23-bit Main clock timer, 17-bit Sub clock timer)
- **Hardware Watchdog Timer**
 - Hardware watchdog timer is active after reset
 - Window function of Watchdog Timer is used to select the lower window limit of the watchdog interval
- **Reload Timers**
 - 16-bit wide
 - Prescaler with $1/2^1$, $1/2^2$, $1/2^3$, $1/2^4$, $1/2^5$, $1/2^6$ of peripheral clock frequency
 - Event count function
- **Free-Running Timers**
 - Signals an interrupt on overflow, supports timer clear upon match with Output Compare 0
 - Prescaler with 1, $1/2^1$, $1/2^2$, $1/2^3$, $1/2^4$, $1/2^5$, $1/2^6$, $1/2^7$, $1/2^8$ of peripheral clock frequency
- **Input Capture Units**
 - 16-bit wide
 - Signals an interrupt upon external event
 - Rising edge, Falling edge or Both (rising & falling) edges sensitive
- **Output Compare Units**
 - 16-bit wide
 - Signals an interrupt when a match with Free-running Timer occurs
 - A pair of compare registers can be used to generate an output signal
- **Programmable Pulse Generator**
 - 16-bit down counter, cycle and duty setting registers
 - Can be used as 2×8 -bit PPG
 - Interrupt at trigger, counter borrow and/or duty match
 - PWM operation and one-shot operation
 - Internal prescaler allows 1, $1/4$, $1/16$, $1/64$ of peripheral clock as counter clock or of selected Reload timer underflow as clock input
 - Can be triggered by software or reload timer
 - Can trigger ADC conversion
 - Timing point capture
 - Start delay

- **Quadrature Position/Revolution Counter (QPRC)**
 - Up/down count mode, Phase difference count mode, Count mode with direction
 - 16-bit position counter
 - 16-bit revolution counter
 - Two 16-bit compare registers with interrupt
 - Detection edge of the three external event input pins AIN, BIN and ZIN is configurable
- **LCD Controller**
 - LCD controller with up to 4COM × 36SEG
 - Internal or external voltage generation
 - Duty cycle: Selectable from options: 1/2, 1/3 and 1/4
 - Fixed 1/3 bias
 - Programmable frame period
 - Clock source selectable from four options (main clock, peripheral clock, subclock or RC oscillator clock)
 - Internal divider resistors or external divider resistors
 - On-chip data memory for display
 - LCD display can be operated in Timer Mode
 - Blank display: selectable
 - All SEG, COM and V pins can be switched between general and specialized purposes
- **Sound Generator**
 - 8-bit PWM signal is mixed with tone frequency from 16-bit reload counter
 - PWM clock by internal prescaler: 1, 1/2, 1/4, 1/8 of peripheral clock
- **Real Time Clock**
 - Operational on main oscillation (4MHz), sub oscillation (32kHz) or RC oscillation (100kHz/2MHz)
 - Capable to correct oscillation deviation of Sub clock or RC oscillator clock (clock calibration)
 - Read/write accessible second/minute/hour registers
 - Can signal interrupts every half second/second/minute/hour/day
 - Internal clock divider and prescaler provide exact 1s clock
- **External Interrupts**
 - Edge or Level sensitive
 - Interrupt mask bit per channel
 - Each available CAN channel RX has an external interrupt for wake-up
 - Selected USART channels SIN have an external interrupt for wake-up
- **Non Maskable Interrupt**
 - Disabled after reset, can be enabled by Boot-ROM depending on ROM configuration block
 - Once enabled, can not be disabled other than by reset
 - High or Low level sensitive
 - Pin shared with external interrupt 0
- **I/O Ports**
 - Most of the external pins can be used as general purpose I/O
 - All push-pull outputs (except when used as I²C SDA/SCL line)
 - Bit-wise programmable as input/output or peripheral signal
 - Bit-wise programmable input enable
 - One input level per GPIO-pin (either Automotive or CMOS hysteresis)
 - Bit-wise programmable pull-up resistor
 - Some pins offer high current output capability for LED driving.

- **Built-in On Chip Debugger (OCD)**
 - One-wire debug tool interface
 - Break function:
 - Hardware break: 6 points (shared with code event)
 - Software break: 4096 points
 - Event function
 - Code event: 6 points (shared with hardware break)
 - Data event: 6 points
 - Event sequencer: 2 levels + reset
 - Execution time measurement function
 - Trace function: 42 branches
 - Security function

- **Flash Memory**
 - Dual operation flash allowing reading of one Flash bank while programming or erasing the other bank
 - Command sequencer for automatic execution of programming algorithm and for supporting DMA for programming of the Flash Memory
 - Supports automatic programming, Embedded Algorithm
 - Write/Erase/Erase-Suspend/Resume commands
 - A flag indicating completion of the automatic algorithm
 - Erase can be performed on each sector individually
 - Sector protection
 - Flash Security feature to protect the content of the Flash
 - Low voltage detection during Flash erase or write

MB966B0 Series

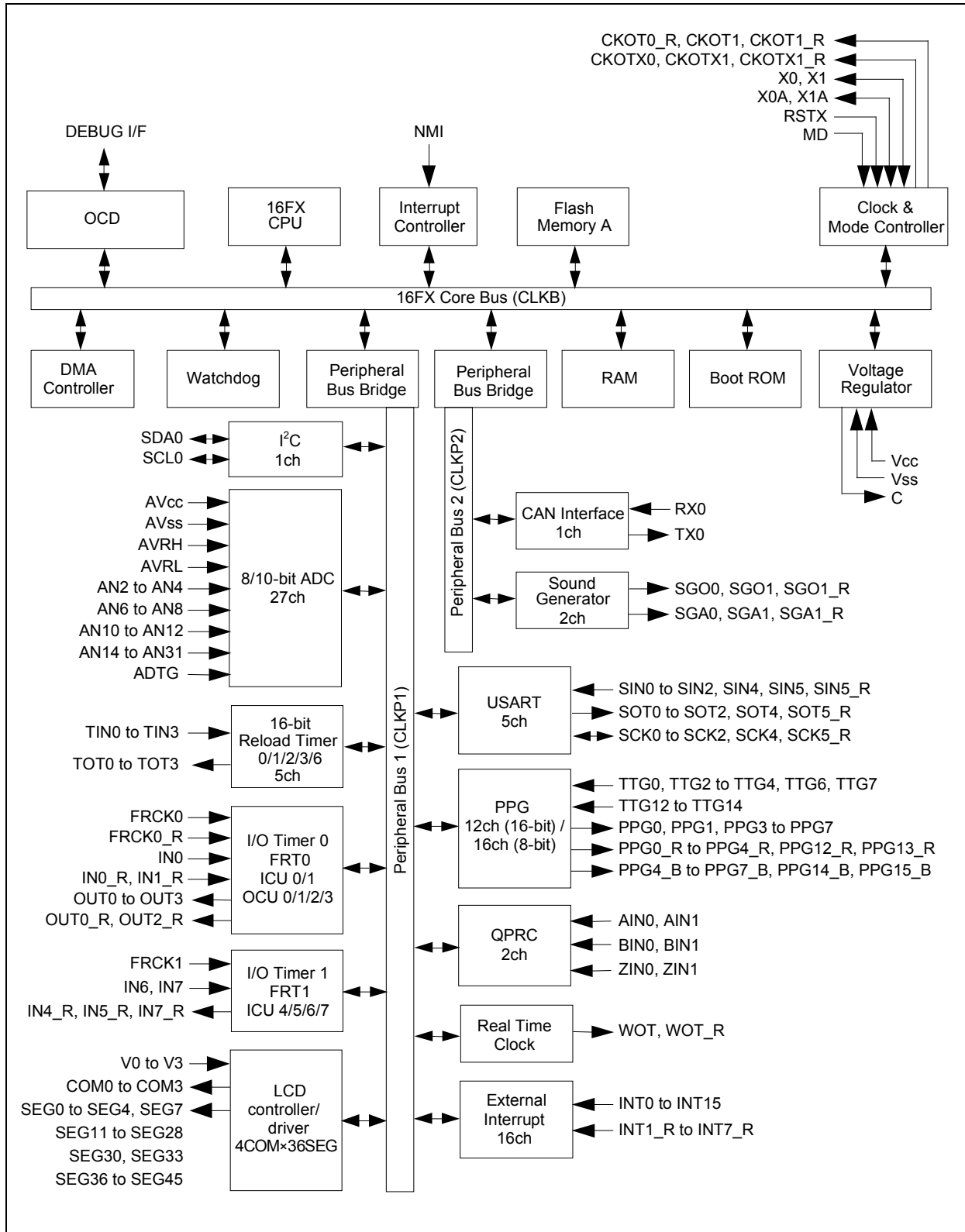
■ PRODUCT LINEUP

Features		MB966B0	Remark
Product Type		Flash Memory Product	
Subclock		Subclock can be set by software	
Dual Operation Flash Memory	RAM	-	
128.5KB + 32KB	8KB	MB96F6B5R, MB96F6B5A	Product Options R: MCU with CAN A: MCU without CAN
256.5KB + 32KB	16KB	MB96F6B6R	
Package		LQFP-100 FPT-100P-M20	
DMA		4ch	
USART		5ch	LIN-USART 0 to 2/4/5
with automatic LIN-Header transmission/reception		2ch	LIN-USART 0/1
with 16 byte RX- and TX-FIFO			
I ² C		1ch	I ² C 0
8/10-bit A/D Converter		27ch	AN 2 to 4/6 to 8/10 to 12/ 14 to 31
with Data Buffer		No	
with Range Comparator		Yes	
with Scan Disable		Yes	
with ADC Pulse Detection		Yes	
16-bit Reload Timer (RLT)		5ch	RLT 0 to 3/6
16-bit Free-Running Timer (FRT)		2ch	FRT 0/1
16-bit Input Capture Unit (ICU)		6ch (5 channels for LIN-USART)	ICU 0/1/4 to 7 (ICU 0/1/4 to 6 for LIN-USART)
16-bit Output Compare Unit (OCU)		4ch	OCU 0 to 3
8/16-bit Programmable Pulse Generator (PPG)		12ch (16-bit) / 16ch (8-bit)	PPG 0 to 7/12 to 15
with Timing point capture		Yes	
with Start delay		Yes	
with Ramp		No	
Quadrature Position/Revolution Counter (QPRC)		2ch	QPRC 0/1
CAN Interface		1ch	CAN 0 32 Message Buffers
External Interrupts (INT)		16ch	INT 0 to 15
Non-Maskable Interrupt (NMI)		1ch	
Sound Generator (SG)		2ch	SG 0/1
LCD Controller		4COM × 36SEG	COM 0 to 3 SEG 0 to 4/7/11 to 28/30/ 33/36 to 45
Real Time Clock (RTC)		1ch	
I/O Ports		77 (Dual clock mode) 79 (Single clock mode)	
Clock Calibration Unit (CAL)		1ch	
Clock Output Function		2ch	
Low Voltage Detection Function		Yes	Low voltage detection function can be disabled by software
Hardware Watchdog Timer		Yes	
On-chip RC-oscillator		Yes	
On-chip Debugger		Yes	

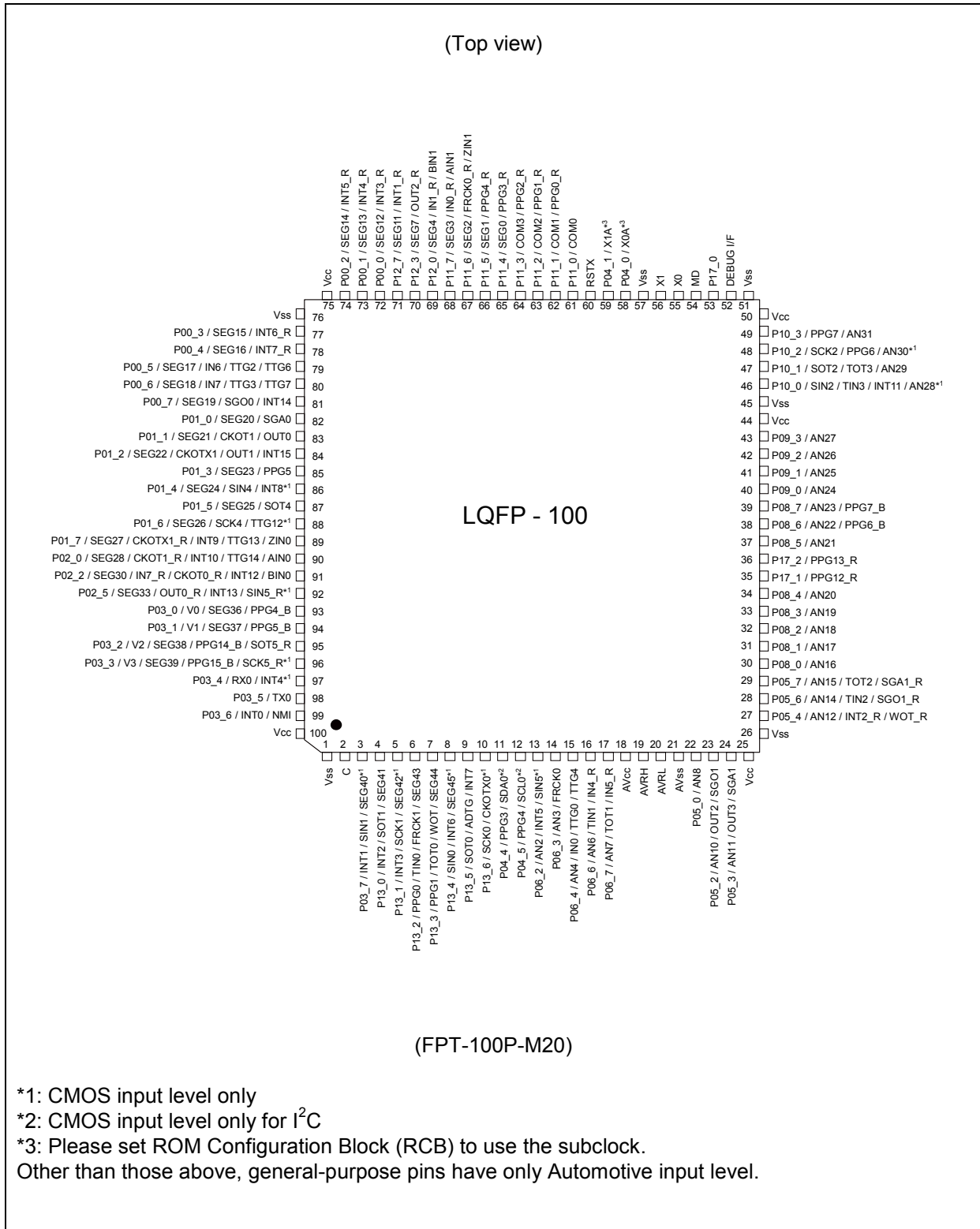
Note: All signals of the peripheral function in each product cannot be allocated by limiting the pins of package.
It is necessary to use the port relocate function of the general I/O port according to your function use.

MB966B0 Series

■ BLOCK DIAGRAM



■ PIN ASSIGNMENT



MB966B0 Series

■ PIN DESCRIPTION

Pin name	Feature	Description
ADTG	ADC	A/D converter trigger input pin
AINn	QPRC	Quadrature Position/Revolution Counter Unit n input pin
ANn	ADC	A/D converter channel n input pin
AVcc	Supply	Analog circuits power supply pin
AVRH	ADC	A/D converter high reference voltage input pin
AVRL	ADC	A/D converter low reference voltage input pin
AVss	Supply	Analog circuits power supply pin
BINn	QPRC	Quadrature Position/Revolution Counter Unit n input pin
C	Voltage regulator	Internally regulated power supply stabilization capacitor pin
CKOTn	Clock Output function	Clock Output function n output pin
CKOTn_R	Clock Output function	Relocated Clock Output function n output pin
CKOTXn	Clock Output function	Clock Output function n inverted output pin
CKOTXn_R	Clock Output function	Relocated Clock Output function n inverted output pin
COMn	LCD	LCD Common driver pin
DEBUG I/F	OCD	On Chip Debugger input/output pin
FRCKn	Free-Running Timer	Free-Running Timer n input pin
FRCKn_R	Free-Running Timer	Relocated Free-Running Timer n input pin
INn	ICU	Input Capture Unit n input pin
INn_R	ICU	Relocated Input Capture Unit n input pin
INTn	External Interrupt	External Interrupt n input pin
INTn_R	External Interrupt	Relocated External Interrupt n input pin
MD	Core	Input pin for specifying the operating mode
NMI	External Interrupt	Non-Maskable Interrupt input pin
OUTn	OCU	Output Compare Unit n waveform output pin
OUTn_R	OCU	Relocated Output Compare Unit n waveform output pin
Pnn_m	GPIO	General purpose I/O pin
PPGn	PPG	Programmable Pulse Generator n output pin (16bit/8bit)
PPGn_R	PPG	Relocated Programmable Pulse Generator n output pin (16bit/8bit)
PPGn_B	PPG	Programmable Pulse Generator n output pin (16bit/8bit)
RSTX	Core	Reset input pin
RXn	CAN	CAN interface n RX input pin
SCKn	USART	USART n serial clock input/output pin
SCKn_R	USART	Relocated USART n serial clock input/output pin
SCLn	I ² C	I ² C interface n clock I/O input/output pin
SDAn	I ² C	I ² C interface n serial data I/O input/output pin
SEGn	LCD	LCD Segment driver pin
SGAn	Sound Generator	Sound Generator amplitude output pin
SGAn_R	Sound Generator	Relocated Sound Generator amplitude output pin
SGOn	Sound Generator	Sound Generator sound/tone output pin
SGOn_R	Sound Generator	Relocated Sound Generator sound/tone output pin
SINn	USART	USART n serial data input pin
SINn_R	USART	Relocated USART n serial data input pin
SOTn	USART	USART n serial data output pin
SOTn_R	USART	Relocated USART n serial data output pin

MB966B0 Series

Pin name	Feature	Description
TINn	Reload Timer	Reload Timer n event input pin
TOTn	Reload Timer	Reload Timer n output pin
TTGn	PPG	Programmable Pulse Generator n trigger input pin
TXn	CAN	CAN interface n TX output pin
Vn	LCD	LCD voltage reference pin
Vcc	Supply	Power supply pin
Vss	Supply	Power supply pin
WOT	RTC	Real Time clock output pin
WOT_R	RTC	Relocated Real Time clock output pin
X0	Clock	Oscillator input pin
X0A	Clock	Subclock Oscillator input pin
X1	Clock	Oscillator output pin
X1A	Clock	Subclock Oscillator output pin
ZINn	QPRC	Quadrature Position/Revolution Counter Unit n input pin

MB966B0 Series

■ PIN CIRCUIT TYPE

Pin no.	I/O circuit type*	Pin name
1	Supply	V _{ss}
2	F	C
3	P	P03_7 / INT1 / SIN1 / SEG40
4	J	P13_0 / INT2 / SOT1 / SEG41
5	P	P13_1 / INT3 / SCK1 / SEG42
6	J	P13_2 / PPG0 / TIN0 / FRCK1 / SEG43
7	J	P13_3 / PPG1 / TOT0 / WOT / SEG44
8	P	P13_4 / SIN0 / INT6 / SEG45
9	H	P13_5 / SOT0 / ADTG / INT7
10	M	P13_6 / SCK0 / CKOTX0
11	N	P04_4 / PPG3 / SDA0
12	N	P04_5 / PPG4 / SCL0
13	I	P06_2 / AN2 / INT5 / SIN5
14	K	P06_3 / AN3 / FRCK0
15	K	P06_4 / AN4 / IN0 / TTG0 / TTG4
16	K	P06_6 / AN6 / TIN1 / IN4_R
17	K	P06_7 / AN7 / TOT1 / IN5_R
18	Supply	AV _{cc}
19	G	AVRH
20	G	AVRL
21	Supply	AV _{ss}
22	K	P05_0 / AN8
23	K	P05_2 / AN10 / OUT2 / SGO1
24	K	P05_3 / AN11 / OUT3 / SGA1
25	Supply	V _{cc}
26	Supply	V _{ss}
27	K	P05_4 / AN12 / INT2_R / WOT_R
28	K	P05_6 / AN14 / TIN2 / SGO1_R
29	K	P05_7 / AN15 / TOT2 / SGA1_R
30	V	P08_0 / AN16
31	V	P08_1 / AN17
32	V	P08_2 / AN18
33	V	P08_3 / AN19
34	V	P08_4 / AN20
35	H	P17_1 / PPG12_R
36	H	P17_2 / PPG13_R
37	V	P08_5 / AN21
38	V	P08_6 / AN22 / PPG6_B
39	V	P08_7 / AN23 / PPG7_B
40	V	P09_0 / AN24

MB966B0 Series

Pin no.	I/O circuit type*	Pin name
41	V	P09_1 / AN25
42	V	P09_2 / AN26
43	V	P09_3 / AN27
44	Supply	Vcc
45	Supply	Vss
46	W	P10_0 / SIN2 / TIN3 / INT11 / AN28
47	V	P10_1 / SOT2 / TOT3 / AN29
48	W	P10_2 / SCK2 / PPG6 / AN30
49	V	P10_3 / PPG7 / AN31
50	Supply	Vcc
51	Supply	Vss
52	O	DEBUG I/F
53	H	P17_0
54	C	MD
55	A	X0
56	A	X1
57	Supply	Vss
58	B	P04_0 / X0A
59	B	P04_1 / X1A
60	C	RSTX
61	J	P11_0 / COM0
62	J	P11_1 / COM1 / PPG0_R
63	J	P11_2 / COM2 / PPG1_R
64	J	P11_3 / COM3 / PPG2_R
65	J	P11_4 / SEG0 / PPG3_R
66	J	P11_5 / SEG1 / PPG4_R
67	J	P11_6 / SEG2 / FRCK0_R / ZIN1
68	J	P11_7 / SEG3 / IN0_R / AIN1
69	J	P12_0 / SEG4 / IN1_R / BIN1
70	J	P12_3 / SEG7 / OUT2_R
71	J	P12_7 / SEG11 / INT1_R
72	J	P00_0 / SEG12 / INT3_R
73	J	P00_1 / SEG13 / INT4_R
74	J	P00_2 / SEG14 / INT5_R
75	Supply	Vcc
76	Supply	Vss
77	J	P00_3 / SEG15 / INT6_R
78	J	P00_4 / SEG16 / INT7_R
79	J	P00_5 / SEG17 / IN6 / TTG2 / TTG6
80	J	P00_6 / SEG18 / IN7 / TTG3 / TTG7

MB966B0 Series

Pin no.	I/O circuit type*	Pin name
81	J	P00_7 / SEG19 / SGO0 / INT14
82	J	P01_0 / SEG20 / SGA0
83	J	P01_1 / SEG21 / CKOT1 / OUT0
84	J	P01_2 / SEG22 / CKOTX1 / OUT1 / INT15
85	J	P01_3 / SEG23 / PPG5
86	P	P01_4 / SEG24 / SIN4 / INT8
87	J	P01_5 / SEG25 / SOT4
88	P	P01_6 / SEG26 / SCK4 / TTG12
89	J	P01_7 / SEG27 / CKOTX1_R / INT9 / TTG13 / ZIN0
90	J	P02_0 / SEG28 / CKOT1_R / INT10 / TTG14 / AIN0
91	J	P02_2 / SEG30 / IN7_R / CKOT0_R / INT12 / BIN0
92	P	P02_5 / SEG33 / OUT0_R / INT13 / SIN5_R
93	L	P03_0 / V0 / SEG36 / PPG4_B
94	L	P03_1 / V1 / SEG37 / PPG5_B
95	L	P03_2 / V2 / SEG38 / PPG14_B / SOT5_R
96	Q	P03_3 / V3 / SEG39 / PPG15_B / SCK5_R
97	M	P03_4 / RX0 / INT4
98	H	P03_5 / TX0
99	H	P03_6 / INT0 / NMI
100	Supply	Vcc

*: See “**I/O CIRCUIT TYPE**” for details on the I/O circuit types.

■ I/O CIRCUIT TYPE

Type	Circuit	Remarks
A	<p style="text-align: center;">FCI or Osc disable</p>	<p>High-speed oscillation circuit:</p> <ul style="list-style-type: none"> • Programmable between oscillation mode (external crystal or resonator connected to X0/X1 pins) and Fast external Clock Input (FCI) mode (external clock connected to X0 pin) • Feedback resistor = approx. 1.0MΩ • The amplitude: 1.8V±0.15V to operate by the internal supply voltage

MB966B0 Series

Type	Circuit	Remarks
B	<p>The diagram for Type B shows a complex circuit. At the top, a pull-up resistor is connected to a 'Pull-up control' signal. Below it, a P-channel MOSFET (P-ch) is connected to 'Pout'. Another P-channel MOSFET (P-ch) is connected to 'Nout'. An N-channel MOSFET (N-ch) is connected to ground. A 'Standby control for input shutdown' signal is connected to a resistor 'R' and an AND gate. The output of the AND gate is connected to an 'Automotive input' through an inverter. Below this, two input pins 'X1A' and 'X0A' are shown. 'X1A' is connected to a resistor 'R' and an AND gate. 'X0A' is connected to another AND gate. The outputs of these AND gates are connected to a multiplexer 'X out' through inverters. A 'FCI or Osc disable' signal is connected to the multiplexer. The multiplexer has two inputs, '0' and '1', and an output 'X out'. A 'FCI' signal is connected to the multiplexer.</p>	<p>Low-speed oscillation circuit shared with GPIO functionality:</p> <ul style="list-style-type: none"> • Feedback resistor = approx. 5.0MΩ • GPIO functionality selectable (CMOS level output ($I_{OL} = 4\text{mA}$, $I_{OH} = -4\text{mA}$), Automotive input with input shutdown function and programmable pull-up resistor)
C	<p>The diagram for Type C shows a simple circuit. A resistor 'R' is connected to a 'Hysteresis inputs' pin. The pin is connected to a CMOS hysteresis input circuit, which consists of two inverters connected in a feedback loop.</p>	<p>CMOS hysteresis input pin</p>

Type	Circuit	Remarks
F		Power supply input protection circuit
G		<ul style="list-style-type: none"> • A/D converter ref+ (AVRH)/ref- (AVRL) power supply input pin with protection circuit • Without protection circuit against V_{CC} for pins AVRH/AVRL
H		<ul style="list-style-type: none"> • CMOS level output ($I_{OL} = 4\text{mA}$, $I_{OH} = -4\text{mA}$) • Automotive input with input shutdown function • Programmable pull-up resistor
I		<ul style="list-style-type: none"> • CMOS level output ($I_{OL} = 4\text{mA}$, $I_{OH} = -4\text{mA}$) • CMOS hysteresis input with input shutdown function • Programmable pull-up resistor • Analog input

MB966B0 Series

Type	Circuit	Remarks
J		<ul style="list-style-type: none"> • CMOS level output ($I_{OL} = 4\text{mA}$, $I_{OH} = -4\text{mA}$) • Automotive input with input shutdown function • Programmable pull-up resistor • SEG or COM output
K		<ul style="list-style-type: none"> • CMOS level output ($I_{OL} = 4\text{mA}$, $I_{OH} = -4\text{mA}$) • Automotive input with input shutdown function • Programmable pull-up resistor • Analog input
L		<ul style="list-style-type: none"> • CMOS level output ($I_{OL} = 4\text{mA}$, $I_{OH} = -4\text{mA}$) • Automotive input with input shutdown function • Programmable pull-up resistor • Vn input or SEG output

Type	Circuit	Remarks
M	<p>Pull-up control</p> <p>Pout</p> <p>Nout</p> <p>Hysteresis input</p> <p>Standby control for input shutdown</p> <p>R</p> <p>P-ch</p> <p>P-ch</p> <p>N-ch</p>	<ul style="list-style-type: none"> • CMOS level output ($I_{OL} = 4\text{mA}$, $I_{OH} = -4\text{mA}$) • CMOS hysteresis input with input shutdown function • Programmable pull-up resistor
N	<p>Pull-up control</p> <p>Pout</p> <p>Nout*</p> <p>Hysteresis input</p> <p>Standby control for input shutdown</p> <p>R</p> <p>P-ch</p> <p>P-ch</p> <p>N-ch</p>	<ul style="list-style-type: none"> • CMOS level output ($I_{OL} = 3\text{mA}$, $I_{OH} = -3\text{mA}$) • CMOS hysteresis input with input shutdown function • Programmable pull-up resistor <p>*: N-channel transistor has slew rate control according to I²C spec, irrespective of usage.</p>
O	<p>Nout</p> <p>Hysteresis input</p> <p>Standby control for input shutdown</p> <p>R</p> <p>N-ch</p>	<ul style="list-style-type: none"> • Open-drain I/O • Output 25mA, $V_{CC} = 2.7\text{V}$ • TTL input

MB966B0 Series

Type	Circuit	Remarks
P		<ul style="list-style-type: none"> • CMOS level output ($I_{OL} = 4\text{mA}$, $I_{OH} = -4\text{mA}$) • CMOS hysteresis inputs with input shutdown function • Programmable pull-up resistor • SEG or COM output
Q		<ul style="list-style-type: none"> • CMOS level output ($I_{OL} = 4\text{mA}$, $I_{OH} = -4\text{mA}$) • CMOS hysteresis inputs with input shutdown function • Programmable pull-up resistor • Vn input or SEG output
V		<ul style="list-style-type: none"> • CMOS level output (programmable $I_{OL} = 4\text{mA}$, $I_{OH} = -4\text{mA}$ and $I_{OL} = 20\text{mA}$, $I_{OH} = -20\text{mA}$) • Automotive input with input shutdown function • Programmable pull-up resistor • Analog input

Type	Circuit	Remarks
W		<ul style="list-style-type: none"> • CMOS level output (programmable $I_{OL} = 4\text{mA}$, $I_{OH} = -4\text{mA}$ and $I_{OL} = 20\text{mA}$, $I_{OH} = -20\text{mA}$) • CMOS hysteresis input with input shutdown function • Programmable pull-up resistor • Analog input

MB966B0 Series

■ MEMORY MAP

FF:FFFF _H	USER ROM*1
DE:0000 _H DD:FFFF _H	Reserved
10:0000 _H	Boot-ROM
0F:C000 _H	Peripheral
0E:9000 _H	Reserved
01:0000 _H	ROM/RAM MIRROR
00:8000 _H	Internal RAM bank0
RAMSTART0*2	Reserved
00:0C00 _H	Peripheral
00:0380 _H	GPR*3
00:0180 _H	DMA
00:0100 _H	Reserved
00:00F0 _H	Reserved
00:0000 _H	Peripheral

*1: For details about USER ROM area, see “■USER ROM MEMORY MAP FOR FLASH DEVICES” on the following pages.

*2: For RAMSTART addresses, see the table on the next page.

*3: Unused GPR banks can be used as RAM area.

GPR: General-Purpose Register

The DMA area is only available if the device contains the corresponding resource.

The available RAM and ROM area depends on the device.

■ RAMSTART ADDRESSES

Devices	Bank 0 RAM size	RAMSTART0
MB96F6B5	8KB	00:6200 _H
MB96F6B6	16KB	00:4200 _H

MB966B0 Series

■ USER ROM MEMORY MAP FOR FLASH DEVICES

		MB96F6B5	MB96F6B6			
CPU mode address	Flash memory mode address	Flash size 128.5KB + 32KB	Flash size 256.5KB + 32KB			
FF:FFFF _H	3F:FFFF _H	SA39 - 64KB	SA39 - 64KB	Bank A of Flash A		
FF:0000 _H	3F:0000 _H					
FE:FFFF _H	3E:FFFF _H				SA38 - 64KB	SA38 - 64KB
FE:0000 _H	3E:0000 _H					
FD:FFFF _H	3D:FFFF _H				Reserved	SA37 - 64KB
FD:0000 _H	3D:0000 _H					SA36 - 64KB
FC:FFFF _H	3C:FFFF _H	Reserved	Reserved			
FC:0000 _H	3C:0000 _H					
FB:FFFF _H						
DF:A000 _H						
DF:9FFF _H	1F:9FFF _H	SA4 - 8KB	SA4 - 8KB	Bank B of Flash A		
DF:8000 _H	1F:8000 _H					
DF:7FFF _H	1F:7FFF _H	SA3 - 8KB	SA3 - 8KB			
DF:6000 _H	1F:6000 _H					
DF:5FFF _H	1F:5FFF _H	SA2 - 8KB	SA2 - 8KB			
DF:4000 _H	1F:4000 _H					
DF:3FFF _H	1F:3FFF _H	SA1 - 8KB	SA1 - 8KB	Bank A of Flash A		
DF:2000 _H	1F:2000 _H					
DF:1FFF _H	1F:1FFF _H	SAS - 512B*	SAS - 512B*			
DF:0000 _H	1F:0000 _H					
DE:FFFF _H		Reserved	Reserved			
DE:0000 _H						

*: Physical address area of SAS-512B is from DF:0000_H to DF:01FF_H.

Others (from DF:0200_H to DF:1FFF_H) is mirror area of SAS-512B.

Sector SAS contains the ROM configuration block RCBA at CPU address DF:0000_H -DF:01FF_H.

SAS can not be used for E²PROM emulation.

■ SERIAL PROGRAMMING COMMUNICATION INTERFACE

USART pins for Flash serial programming (MD = 0, DEBUG I/F = 0, Serial Communication mode)

MB966B0		
Pin Number	USART Number	Normal Function
8	USART0	SIN0
9		SOT0
10		SCK0
3	USART1	SIN1
4		SOT1
5		SCK1
46	USART2	SIN2
47		SOT2
48		SCK2
86	USART4	SIN4
87		SOT4
88		SCK4

MB966B0 Series

■ INTERRUPT VECTOR TABLE

Vector number	Offset in vector table	Vector name	Cleared by DMA	Index in ICR to program	Description
0	3FC _H	CALLV0	No	-	CALLV instruction
1	3F8 _H	CALLV1	No	-	CALLV instruction
2	3F4 _H	CALLV2	No	-	CALLV instruction
3	3F0 _H	CALLV3	No	-	CALLV instruction
4	3EC _H	CALLV4	No	-	CALLV instruction
5	3E8 _H	CALLV5	No	-	CALLV instruction
6	3E4 _H	CALLV6	No	-	CALLV instruction
7	3E0 _H	CALLV7	No	-	CALLV instruction
8	3DC _H	RESET	No	-	Reset vector
9	3D8 _H	INT9	No	-	INT9 instruction
10	3D4 _H	EXCEPTION	No	-	Undefined instruction execution
11	3D0 _H	NMI	No	-	Non-Maskable Interrupt
12	3CC _H	DLY	No	12	Delayed Interrupt
13	3C8 _H	RC_TIMER	No	13	RC Clock Timer
14	3C4 _H	MC_TIMER	No	14	Main Clock Timer
15	3C0 _H	SC_TIMER	No	15	Sub Clock Timer
16	3BC _H	LVDI	No	16	Low Voltage Detector
17	3B8 _H	EXTINT0	Yes	17	External Interrupt 0
18	3B4 _H	EXTINT1	Yes	18	External Interrupt 1
19	3B0 _H	EXTINT2	Yes	19	External Interrupt 2
20	3AC _H	EXTINT3	Yes	20	External Interrupt 3
21	3A8 _H	EXTINT4	Yes	21	External Interrupt 4
22	3A4 _H	EXTINT5	Yes	22	External Interrupt 5
23	3A0 _H	EXTINT6	Yes	23	External Interrupt 6
24	39C _H	EXTINT7	Yes	24	External Interrupt 7
25	398 _H	EXTINT8	Yes	25	External Interrupt 8
26	394 _H	EXTINT9	Yes	26	External Interrupt 9
27	390 _H	EXTINT10	Yes	27	External Interrupt 10
28	38C _H	EXTINT11	Yes	28	External Interrupt 11
29	388 _H	EXTINT12	Yes	29	External Interrupt 12
30	384 _H	EXTINT13	Yes	30	External Interrupt 13
31	380 _H	EXTINT14	Yes	31	External Interrupt 14
32	37C _H	EXTINT15	Yes	32	External Interrupt 15
33	378 _H	CAN0	No	33	CAN Controller 0
34	374 _H	-	-	34	Reserved
35	370 _H	-	-	35	Reserved
36	36C _H	-	-	36	Reserved
37	368 _H	-	-	37	Reserved
38	364 _H	PPG0	Yes	38	Programmable Pulse Generator 0
39	360 _H	PPG1	Yes	39	Programmable Pulse Generator 1
40	35C _H	PPG2	Yes	40	Programmable Pulse Generator 2

MB966B0 Series

Vector number	Offset in vector table	Vector name	Cleared by DMA	Index in ICR to program	Description
41	358 _H	PPG3	Yes	41	Programmable Pulse Generator 3
42	354 _H	PPG4	Yes	42	Programmable Pulse Generator 4
43	350 _H	PPG5	Yes	43	Programmable Pulse Generator 5
44	34C _H	PPG6	Yes	44	Programmable Pulse Generator 6
45	348 _H	PPG7	Yes	45	Programmable Pulse Generator 7
46	344 _H	-	-	46	Reserved
47	340 _H	-	-	47	Reserved
48	33C _H	-	-	48	Reserved
49	338 _H	-	-	49	Reserved
50	334 _H	PPG12	Yes	50	Programmable Pulse Generator 12
51	330 _H	PPG13	Yes	51	Programmable Pulse Generator 13
52	32C _H	PPG14	Yes	52	Programmable Pulse Generator 14
53	328 _H	PPG15	Yes	53	Programmable Pulse Generator 15
54	324 _H	-	-	54	Reserved
55	320 _H	-	-	55	Reserved
56	31C _H	-	-	56	Reserved
57	318 _H	-	-	57	Reserved
58	314 _H	RLT0	Yes	58	Reload Timer 0
59	310 _H	RLT1	Yes	59	Reload Timer 1
60	30C _H	RLT2	Yes	60	Reload Timer 2
61	308 _H	RLT3	Yes	61	Reload Timer 3
62	304 _H	-	-	62	Reserved
63	300 _H	-	-	63	Reserved
64	2FC _H	RLT6	Yes	64	Reload Timer 6
65	2F8 _H	ICU0	Yes	65	Input Capture Unit 0
66	2F4 _H	ICU1	Yes	66	Input Capture Unit 1
67	2F0 _H	-	-	67	Reserved
68	2EC _H	-	-	68	Reserved
69	2E8 _H	ICU4	Yes	69	Input Capture Unit 4
70	2E4 _H	ICU5	Yes	70	Input Capture Unit 5
71	2E0 _H	ICU6	Yes	71	Input Capture Unit 6
72	2DC _H	ICU7	Yes	72	Input Capture Unit 7
73	2D8 _H	-	-	73	Reserved
74	2D4 _H	-	-	74	Reserved
75	2D0 _H	-	-	75	Reserved
76	2CC _H	-	-	76	Reserved
77	2C8 _H	OCU0	Yes	77	Output Compare Unit 0
78	2C4 _H	OCU1	Yes	78	Output Compare Unit 1
79	2C0 _H	OCU2	Yes	79	Output Compare Unit 2
80	2BC _H	OCU3	Yes	80	Output Compare Unit 3

MB966B0 Series

Vector number	Offset in vector table	Vector name	Cleared by DMA	Index in ICR to program	Description
81	2B8 _H	-	-	81	Reserved
82	2B4 _H	-	-	82	Reserved
83	2B0 _H	-	-	83	Reserved
84	2AC _H	-	-	84	Reserved
85	2A8 _H	-	-	85	Reserved
86	2A4 _H	-	-	86	Reserved
87	2A0 _H	-	-	87	Reserved
88	29C _H	-	-	88	Reserved
89	298 _H	FRT0	Yes	89	Free-Running Timer 0
90	294 _H	FRT1	Yes	90	Free-Running Timer 1
91	290 _H	-	-	91	Reserved
92	28C _H	-	-	92	Reserved
93	288 _H	RTC0	No	93	Real Time Clock
94	284 _H	CAL0	No	94	Clock Calibration Unit
95	280 _H	SG0	No	95	Sound Generator 0
96	27C _H	IIC0	Yes	96	I ² C interface 0
97	278 _H	-	-	97	Reserved
98	274 _H	ADC0	Yes	98	A/D Converter 0
99	270 _H	-	-	99	Reserved
100	26C _H	-	-	100	Reserved
101	268 _H	LINR0	Yes	101	LIN USART 0 RX
102	264 _H	LINT0	Yes	102	LIN USART 0 TX
103	260 _H	LINR1	Yes	103	LIN USART 1 RX
104	25C _H	LINT1	Yes	104	LIN USART 1 TX
105	258 _H	LINR2	Yes	105	LIN USART 2 RX
106	254 _H	LINT2	Yes	106	LIN USART 2 TX
107	250 _H	-	-	107	Reserved
108	24C _H	-	-	108	Reserved
109	248 _H	LINR4	Yes	109	LIN USART 4 RX
110	244 _H	LINT4	Yes	110	LIN USART 4 TX
111	240 _H	LINR5	Yes	111	LIN USART 5 RX
112	23C _H	LINT5	Yes	112	LIN USART 5 TX
113	238 _H	-	-	113	Reserved
114	234 _H	-	-	114	Reserved
115	230 _H	-	-	115	Reserved
116	22C _H	-	-	116	Reserved
117	228 _H	-	-	117	Reserved
118	224 _H	-	-	118	Reserved
119	220 _H	-	-	119	Reserved
120	21C _H	-	-	120	Reserved

MB966B0 Series

Vector number	Offset in vector table	Vector name	Cleared by DMA	Index in ICR to program	Description
121	218 _H	SG1	No	121	Sound Generator 1
122	214 _H	-	-	122	Reserved
123	210 _H	-	-	123	Reserved
124	20C _H	-	-	124	Reserved
125	208 _H	-	-	125	Reserved
126	204 _H	-	-	126	Reserved
127	200 _H	-	-	127	Reserved
128	1FC _H	-	-	128	Reserved
129	1F8 _H	-	-	129	Reserved
130	1F4 _H	-	-	130	Reserved
131	1F0 _H	-	-	131	Reserved
132	1EC _H	-	-	132	Reserved
133	1E8 _H	FLASHA	Yes	133	Flash memory A interrupt
134	1E4 _H	-	-	134	Reserved
135	1E0 _H	-	-	135	Reserved
136	1DC _H	-	-	136	Reserved
137	1D8 _H	QPRC0	Yes	137	Quadrature Position/Revolution counter 0
138	1D4 _H	QPRC1	Yes	138	Quadrature Position/Revolution counter 1
139	1D0 _H	ADCRC0	No	139	A/D Converter 0 - Range Comparator
140	1CC _H	ADCPD0	No	140	A/D Converter 0 - Pulse detection
141	1C8 _H	-	-	141	Reserved
142	1C4 _H	-	-	142	Reserved
143	1C0 _H	-	-	143	Reserved

■ HANDLING PRECAUTIONS

Any semiconductor devices have inherently a certain rate of failure. The possibility of failure is greatly affected by the conditions in which they are used (circuit conditions, environmental conditions, etc.). This page describes precautions that must be observed to minimize the chance of failure and to obtain higher reliability from your FUJITSU SEMICONDUCTOR semiconductor devices.

1. Precautions for Product Design

This section describes precautions when designing electronic equipment using semiconductor devices.

• Absolute Maximum Ratings

Semiconductor devices can be permanently damaged by application of stress (voltage, current, temperature, etc.) in excess of certain established limits, called absolute maximum ratings. Do not exceed these ratings.

• Recommended Operating Conditions

Recommended operating conditions are normal operating ranges for the semiconductor device. All the device's electrical characteristics are warranted when operated within these ranges.

Always use semiconductor devices within the recommended operating conditions. Operation outside these ranges may adversely affect reliability and could result in device failure.

No warranty is made with respect to uses, operating conditions, or combinations not represented on the data sheet. Users considering application outside the listed conditions are advised to contact their sales representative beforehand.

• Processing and Protection of Pins

These precautions must be followed when handling the pins which connect semiconductor devices to power supply and input/output functions.

(1) Preventing Over-Voltage and Over-Current Conditions

Exposure to voltage or current levels in excess of maximum ratings at any pin is likely to cause deterioration within the device, and in extreme cases leads to permanent damage of the device. Try to prevent such overvoltage or over-current conditions at the design stage.

(2) Protection of Output Pins

Shorting of output pins to supply pins or other output pins, or connection to large capacitance can cause large current flows. Such conditions if present for extended periods of time can damage the device.

Therefore, avoid this type of connection.

(3) Handling of Unused Input Pins

Unconnected input pins with very high impedance levels can adversely affect stability of operation. Such pins should be connected through an appropriate resistance to a power supply pin or ground pin.

• Latch-up

Semiconductor devices are constructed by the formation of P-type and N-type areas on a substrate. When subjected to abnormally high voltages, internal parasitic PNP junctions (called thyristor structures) may be formed, causing large current levels in excess of several hundred mA to flow continuously at the power supply pin. This condition is called latch-up.

CAUTION: The occurrence of latch-up not only causes loss of reliability in the semiconductor device, but can cause injury or damage from high heat, smoke or flame. To prevent this from happening, do the following:

(1) Be sure that voltages applied to pins do not exceed the absolute maximum ratings. This should include attention to abnormal noise, surge levels, etc.

(2) Be sure that abnormal current flows do not occur during the power-on sequence.

- **Observance of Safety Regulations and Standards**

Most countries in the world have established standards and regulations regarding safety, protection from electromagnetic interference, etc. Customers are requested to observe applicable regulations and standards in the design of products.

- **Fail-Safe Design**

Any semiconductor devices have inherently a certain rate of failure. You must protect against injury, damage or loss from such failures by incorporating safety design measures into your facility and equipment such as redundancy, fire protection, and prevention of over-current levels and other abnormal operating conditions.

- **Precautions Related to Usage of Devices**

FUJITSU SEMICONDUCTOR semiconductor devices are intended for use in standard applications (computers, office automation and other office equipment, industrial, communications, and measurement equipment, personal or household devices, etc.).

CAUTION: Customers considering the use of our products in special applications where failure or abnormal operation may directly affect human lives or cause physical injury or property damage, or where extremely high levels of reliability are demanded (such as aerospace systems, atomic energy controls, sea floor repeaters, vehicle operating controls, medical devices for life support, etc.) are requested to consult with sales representatives before such use. The company will not be responsible for damages arising from such use without prior approval.

2. Precautions for Package Mounting

Package mounting may be either lead insertion type or surface mount type. In either case, for heat resistance during soldering, you should only mount under FUJITSU SEMICONDUCTOR's recommended conditions. For detailed information about mount conditions, contact your sales representative.

- **Lead Insertion Type**

Mounting of lead insertion type packages onto printed circuit boards may be done by two methods: direct soldering on the board, or mounting by using a socket.

Direct mounting onto boards normally involves processes for inserting leads into through-holes on the board and using the flow soldering (wave soldering) method of applying liquid solder. In this case, the soldering process usually causes leads to be subjected to thermal stress in excess of the absolute ratings for storage temperature. Mounting processes should conform to FUJITSU SEMICONDUCTOR recommended mounting conditions.

If socket mounting is used, differences in surface treatment of the socket contacts and IC lead surfaces can lead to contact deterioration after long periods. For this reason it is recommended that the surface treatment of socket contacts and IC leads be verified before mounting.

- **Surface Mount Type**

Surface mount packaging has longer and thinner leads than lead-insertion packaging, and therefore leads are more easily deformed or bent. The use of packages with higher pin counts and narrower pin pitch results in increased susceptibility to open connections caused by deformed pins, or shorting due to solder bridges.

You must use appropriate mounting techniques. FUJITSU SEMICONDUCTOR recommends the solder reflow method, and has established a ranking of mounting conditions for each product. Users are advised to mount packages in accordance with FUJITSU SEMICONDUCTOR ranking of recommended conditions.

MB966B0 Series

- **Lead-Free Packaging**

CAUTION: When ball grid array (BGA) packages with Sn-Ag-Cu balls are mounted using Sn-Pb eutectic soldering, junction strength may be reduced under some conditions of use.

- **Storage of Semiconductor Devices**

Because plastic chip packages are formed from plastic resins, exposure to natural environmental conditions will cause absorption of moisture. During mounting, the application of heat to a package that has absorbed moisture can cause surfaces to peel, reducing moisture resistance and causing packages to crack. To prevent, do the following:

- (1) Avoid exposure to rapid temperature changes, which cause moisture to condense inside the product. Store products in locations where temperature changes are slight.
- (2) Use dry boxes for product storage. Products should be stored below 70% relative humidity, and at temperatures between 5°C and 30°C.
When you open Dry Package that recommends humidity 40% to 70% relative humidity.
- (3) When necessary, FUJITSU SEMICONDUCTOR packages semiconductor devices in highly moisture-resistant aluminum laminate bags, with a silica gel desiccant. Devices should be sealed in their aluminum laminate bags for storage.
- (4) Avoid storing packages where they are exposed to corrosive gases or high levels of dust.

- **Baking**

Packages that have absorbed moisture may be de-moisturized by baking (heat drying). Follow the FUJITSU SEMICONDUCTOR recommended conditions for baking.

Condition: 125°C/24 h

- **Static Electricity**

Because semiconductor devices are particularly susceptible to damage by static electricity, you must take the following precautions:

- (1) Maintain relative humidity in the working environment between 40% and 70%. Use of an apparatus for ion generation may be needed to remove electricity.
- (2) Electrically ground all conveyors, solder vessels, soldering irons and peripheral equipment.
- (3) Eliminate static body electricity by the use of rings or bracelets connected to ground through high resistance (on the level of 1 MΩ).
Wearing of conductive clothing and shoes, use of conductive floor mats and other measures to minimize shock loads is recommended.
- (4) Ground all fixtures and instruments, or protect with anti-static measures.
- (5) Avoid the use of styrofoam or other highly static-prone materials for storage of completed board assemblies.

3. Precautions for Use Environment

Reliability of semiconductor devices depends on ambient temperature and other conditions as described above.

For reliable performance, do the following:

(1) Humidity

Prolonged use in high humidity can lead to leakage in devices as well as printed circuit boards. If high humidity levels are anticipated, consider anti-humidity processing.

(2) Discharge of Static Electricity

When high-voltage charges exist close to semiconductor devices, discharges can cause abnormal operation. In such cases, use anti-static measures or processing to prevent discharges.

(3) Corrosive Gases, Dust, or Oil

Exposure to corrosive gases or contact with dust or oil may lead to chemical reactions that will adversely affect the device. If you use devices in such conditions, consider ways to prevent such exposure or to protect the devices.

(4) Radiation, Including Cosmic Radiation

Most devices are not designed for environments involving exposure to radiation or cosmic radiation. Users should provide shielding as appropriate.

(5) Smoke, Flame

CAUTION: Plastic molded devices are flammable, and therefore should not be used near combustible substances. If devices begin to smoke or burn, there is danger of the release of toxic gases.

Customers considering the use of FUJITSU SEMICONDUCTOR products in other special environmental conditions should consult with sales representatives.

Please check the latest handling precautions at the following URL.

<http://edevice.fujitsu.com/fj/handling-e.pdf>

■ HANDLING DEVICES

Special care is required for the following when handling the device:

- Latch-up prevention
- Unused pins handling
- External clock usage
- Notes on PLL clock mode operation
- Power supply pins (V_{CC}/V_{SS})
- Crystal oscillator and ceramic resonator circuit
- Turn on sequence of power supply to A/D converter and analog inputs
- Pin handling when not using the A/D converter
- Notes on Power-on
- Stabilization of power supply voltage
- Serial communication
- Mode Pin (MD)

1. Latch-up prevention

CMOS IC chips may suffer latch-up under the following conditions:

- A voltage higher than V_{CC} or lower than V_{SS} is applied to an input or output pin.
- A voltage higher than the rated voltage is applied between V_{CC} pins and V_{SS} pins.
- The AV_{CC} power supply is applied before the V_{CC} voltage.

Latch-up may increase the power supply current dramatically, causing thermal damages to the device.

For the same reason, extra care is required to not let the analog power-supply voltage (AV_{CC} , AV_{RH}) exceed the digital power-supply voltage.

2. Unused pins handling

Unused input pins can be left open when the input is disabled (corresponding bit of Port Input Enable register $PIER = 0$).

Leaving unused input pins open when the input is enabled may result in misbehavior and possible permanent damage of the device. To prevent latch-up, they must therefore be pulled up or pulled down through resistors which should be more than $2k\Omega$.

Unused bidirectional pins can be set either to the output state and be then left open, or to the input state with either input disabled or external pull-up/pull-down resistor as described above.

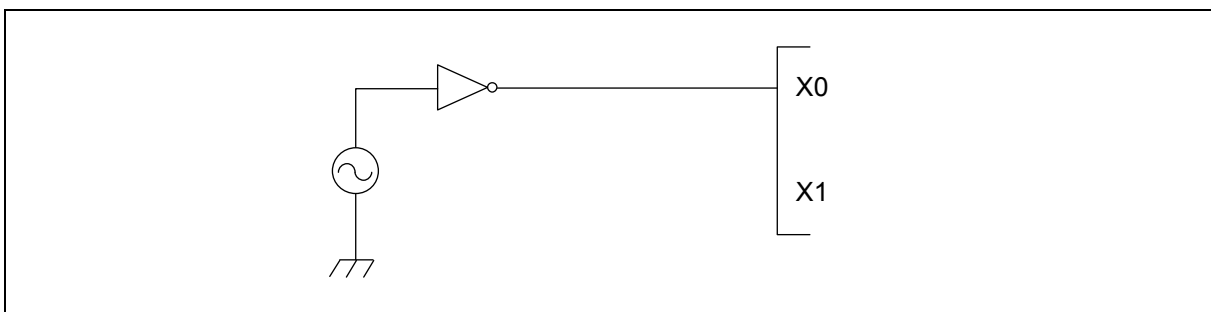
3. External clock usage

The permitted frequency range of an external clock depends on the oscillator type and configuration.

See AC Characteristics for detailed modes and frequency limits. Single and opposite phase external clocks must be connected as follows:

(1) Single phase external clock for Main oscillator

When using a single phase external clock for the Main oscillator, X0 pin must be driven and X1 pin left open. And supply 1.8V power to the external clock.

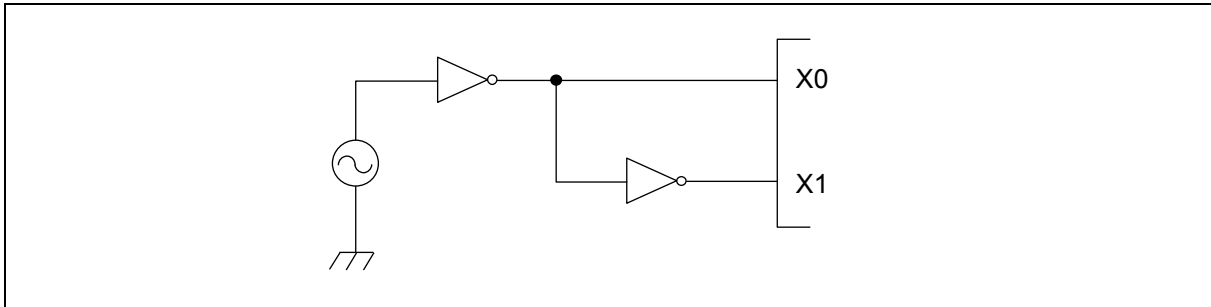


(2) Single phase external clock for Sub oscillator

When using a single phase external clock for the Sub oscillator, “External clock mode” must be selected and X0A/P04_0 pin must be driven. X1A/P04_1 pin can be configured as GPIO.

(3) Opposite phase external clock

When using an opposite phase external clock, X1 (X1A) pins must be supplied with a clock signal which has the opposite phase to the X0 (X0A) pins. Supply level on X0 and X1 pins must be 1.8V.



4. Notes on PLL clock mode operation

If the microcontroller is operated with PLL clock mode and no external oscillator is operating or no external clock is supplied, the microcontroller attempts to work with the free oscillating PLL. Performance of this operation, however, cannot be guaranteed.

5. Power supply pins (Vcc/Vss)

It is required that all V_{CC}-level as well as all V_{SS}-level power supply pins are at the same potential. If there is more than one V_{CC} or V_{SS} level, the device may operate incorrectly or be damaged even within the guaranteed operating range.

V_{CC} and V_{SS} pins must be connected to the device from the power supply with lowest possible impedance.

The smoothing capacitor at V_{CC} pin must use the one of a capacity value that is larger than C_s.

Besides this, as a measure against power supply noise, it is required to connect a bypass capacitor of about 0.1μF between V_{CC} and V_{SS} pins as close as possible to V_{CC} and V_{SS} pins.

6. Crystal oscillator and ceramic resonator circuit

Noise at X0, X1 pins or X0A, X1A pins might cause abnormal operation. It is required to provide bypass capacitors with shortest possible distance to X0, X1 pins and X0A, X1A pins, crystal oscillator (or ceramic resonator) and ground lines, and, to the utmost effort, that the lines of oscillation circuit do not cross the lines of other circuits.

It is highly recommended to provide a printed circuit board art work surrounding X0, X1 pins and X0A, X1A pins with a ground area for stabilizing the operation.

It is highly recommended to evaluate the quartz/MCU or resonator/MCU system at the quartz or resonator manufacturer, especially when using low-Q resonators at higher frequencies.

7. Turn on sequence of power supply to A/D converter and analog inputs

It is required to turn the A/D converter power supply (AV_{CC}, AVR_H, AVR_L) and analog inputs (AN_n) on after turning the digital power supply (V_{CC}) on.

It is also required to turn the digital power off after turning the A/D converter supply and analog inputs off. In this case, AVR_H must not exceed AV_{CC}. Input voltage for ports shared with analog input ports also must not exceed AV_{CC} (turning the analog and digital power supplies simultaneously on or off is acceptable).

8. Pin handling when not using the A/D converter

If the A/D converter is not used, the power supply pins for A/D converter should be connected such as AV_{CC} = V_{CC}, AV_{SS} = AVR_H = AVR_L = V_{SS}.

9. Notes on Power-on

To prevent malfunction of the internal voltage regulator, supply voltage profile while turning the power supply on should be slower than 50 μ s from 0.2V to 2.7V.

10. Stabilization of power supply voltage

If the power supply voltage varies acutely even within the operation safety range of the V_{CC} power supply voltage, a malfunction may occur. The V_{CC} power supply voltage must therefore be stabilized. As stabilization guidelines, the power supply voltage must be stabilized in such a way that V_{CC} ripple fluctuations (peak to peak value) in the commercial frequencies (50Hz to 60Hz) fall within 10% of the standard V_{CC} power supply voltage and the transient fluctuation rate becomes 0.1V/ μ s or less in instantaneous fluctuation for power supply switching.

11. Serial communication

There is a possibility to receive wrong data due to noise or other causes on the serial communication. Therefore, design a printed circuit board so as to avoid noise. Consider receiving of wrong data when designing the system. For example apply a checksum and retransmit the data if an error occurs.

12. Mode Pin (MD)

Connect the mode pin directly to Vcc or Vss pin. To prevent the device unintentionally entering test mode due to noise, lay out the printed circuit board so as to minimize the distance from the mode pin to Vcc or Vss pin and provide a low-impedance connection.

■ ELECTRICAL CHARACTERISTICS

1. Absolute Maximum Ratings

Parameter	Symbol	Condition	Rating		Unit	Remarks
			Min	Max		
Power supply voltage* ¹	V _{CC}	-	V _{SS} - 0.3	V _{SS} + 6.0	V	
Analog power supply voltage* ¹	AV _{CC}	-	V _{SS} - 0.3	V _{SS} + 6.0	V	V _{CC} = AV _{CC} * ²
Analog reference voltage* ¹	AVRH, AVRL	-	V _{SS} - 0.3	V _{SS} + 6.0	V	AV _{CC} ≥ AVRH, AV _{CC} ≥ AVRL, AVRH > AVRL, AVRL ≥ AV _{SS}
LCD power supply voltage* ¹	V0 to V3	-	V _{SS} - 0.3	V _{SS} + 6.0	V	V0 to V3 must not exceed V _{CC}
Input voltage* ¹	V _I	-	V _{SS} - 0.3	V _{SS} + 6.0	V	V _I ≤ V _{CC} + 0.3V* ³
Output voltage* ¹	V _O	-	V _{SS} - 0.3	V _{SS} + 6.0	V	V _O ≤ V _{CC} + 0.3V* ³
Maximum Clamp Current	I _{CLAMP}	-	-4.0	+4.0	mA	Applicable to general purpose I/O pins * ⁴
Total Maximum Clamp Current	Σ I _{CLAMP}	-	-	26	mA	Applicable to general purpose I/O pins * ⁴
"L" level maximum output current	I _{OL}	-	-	15	mA	Normal port
	I _{OLHCO}	-	-	20	mA	High current port
"L" level average output current	I _{OLAV}	-	-	4	mA	Normal port
	I _{OLAVHCO}	-	-	15	mA	High current port
"L" level maximum overall output current	ΣI _{OL}	-	-	64	mA	Normal port
	ΣI _{OLHCO}	-	-	150	mA	High current port
"L" level average overall output current	ΣI _{OLAV}	-	-	32	mA	Normal port
	ΣI _{OLAVHCO}	-	-	100	mA	High current port
"H" level maximum output current	I _{OH}	-	-	-15	mA	Normal port
	I _{OHCO}	-	-	-20	mA	High current port
"H" level average output current	I _{OHAV}	-	-	-4	mA	Normal port
	I _{OHAVHCO}	-	-	-15	mA	High current port
"H" level maximum overall output current	ΣI _{OH}	-	-	-64	mA	Normal port
	ΣI _{OHCO}	-	-	-150	mA	High current port
"H" level average overall output current	ΣI _{OHAV}	-	-	-32	mA	Normal port
	ΣI _{OHAVHCO}	-	-	-100	mA	High current port
Power consumption* ⁵	P _D	T _A = +125°C	-	416* ⁶	mW	
Operating ambient temperature	T _A	-	-40	+125* ⁷	°C	
Storage temperature	T _{STG}	-	-55	+150	°C	

*1: This parameter is based on V_{SS} = AV_{SS} = 0V.

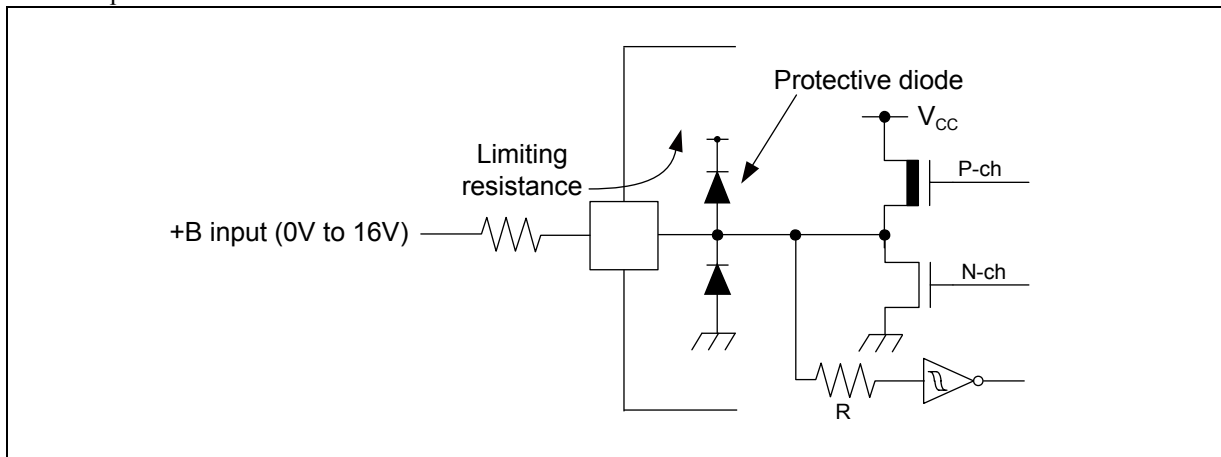
*2: AV_{CC} and V_{CC} must be set to the same voltage. It is required that AV_{CC} does not exceed V_{CC} and that the voltage at the analog inputs does not exceed AV_{CC} when the power is switched on.

*3: V_I and V_O should not exceed V_{CC} + 0.3V. V_I should also not exceed the specified ratings. However if the maximum current to/from an input is limited by some means with external components, the I_{CLAMP} rating supersedes the V_I rating. Input/Output voltages of general I/O ports depend on V_{CC}.

MB966B0 Series

- *4: • Applicable to all general purpose I/O pins (Pnn_m).
 - Use within recommended operating conditions.
 - Use at DC voltage (current).
 - The +B signal should always be applied a limiting resistance placed between the +B signal and the microcontroller.
 - The value of the limiting resistance should be set so that when the +B signal is applied the input current to the microcontroller pin does not exceed rated values, either instantaneously or for prolonged periods.
 - Note that when the microcontroller drive current is low, such as in the power saving modes, the +B input potential may pass through the protective diode and increase the potential at the V_{CC} pin, and this may affect other devices.
 - Note that if a +B signal is input when the microcontroller power supply is off (not fixed at 0V), the power supply is provided from the pins, so that incomplete operation may result.
 - Note that if the +B input is applied during power-on, the power supply is provided from the pins and the resulting supply voltage may not be sufficient to operate the Power reset.
 - The DEBUG I/F pin has only a protective diode against V_{SS} . Hence it is only permitted to input a negative clamping current (4mA). For protection against positive input voltages, use an external clamping diode which limits the input voltage to maximum 6.0V.

- Sample recommended circuits:



- *5: The maximum permitted power dissipation depends on the ambient temperature, the air flow velocity and the thermal conductance of the package on the PCB.

The actual power dissipation depends on the customer application and can be calculated as follows:

$$P_D = P_{IO} + P_{INT}$$

$$P_{IO} = \sum (V_{OL} \times I_{OL} + V_{OH} \times I_{OH}) \text{ (I/O load power dissipation, sum is performed on all I/O ports)}$$

$$P_{INT} = V_{CC} \times (I_{CC} + I_A) \text{ (internal power dissipation)}$$

I_{CC} is the total core current consumption into V_{CC} as described in the "DC characteristics" and depends on the selected operation mode and clock frequency and the usage of functions like Flash programming.

I_A is the analog current consumption into AV_{CC} .

- *6: Worst case value for a package mounted on single layer PCB at specified T_A without air flow.

- *7: Write/erase to a large sector in flash memory is warranted with $T_A \leq +105^\circ\text{C}$.

<WARNING>

Semiconductor devices can be permanently damaged by application of stress (voltage, current, temperature, etc.) in excess of absolute maximum ratings. Do not exceed these ratings.

2. Recommended Operating Conditions

($V_{SS} = AV_{SS} = 0V$)

Parameter	Symbol	Value			Unit	Remarks
		Min	Typ	Max		
Power supply voltage	V_{CC}, AV_{CC}	2.7	-	5.5	V	
		2.0	-	5.5	V	Maintains RAM data in stop mode
Smoothing capacitor at C pin	C_S	0.5	1.0 to 3.9	4.7	μF	1.0 μF (Allowance within $\pm 50\%$) 3.9 μF (Allowance within $\pm 20\%$) Please use the ceramic capacitor or the capacitor of the frequency response of this level. The smoothing capacitor at V_{CC} must use the one of a capacity value that is larger than C_S .

<WARNING>

The recommended operating conditions are required in order to ensure the normal operation of the semiconductor device. All of the device's electrical characteristics are warranted when the device is operated within these ranges.

Always use semiconductor devices within their recommended operating condition ranges. Operation outside these ranges may adversely affect reliability and could result in device failure. No warranty is made with respect to uses, operating conditions, or combinations not represented on the data sheet. Users considering application outside the listed conditions are advised to contact their representatives beforehand.

MB966B0 Series

3. DC Characteristics

(1) Current Rating

($V_{CC} = AV_{CC} = 2.7V$ to $5.5V$, $V_{SS} = AV_{SS} = 0V$, $T_A = -40^{\circ}C$ to $+125^{\circ}C$)

Parameter	Symbol	Pin name	Conditions	Value			Unit	Remarks
				Min	Typ	Max		
Power supply current in Run modes*1	I _{CCPLL}	V _{CC}	PLL Run mode with CLKS1/2 = CLKB = CLKP1/2 = 32MHz	-	28	-	mA	T _A = +25°C
			Flash 0 wait	-	-	38	mA	T _A = +105°C
			(CLKRC and CLKSC stopped)	-	-	39.5	mA	T _A = +125°C
	I _{CCMAIN}		Main Run mode with CLKS1/2 = CLKB = CLKP1/2 = 4MHz	-	3.5	-	mA	T _A = +25°C
			Flash 0 wait	-	-	8	mA	T _A = +105°C
			(CLKPLL, CLKSC and CLKRC stopped)	-	-	9.5	mA	T _A = +125°C
	I _{CCRCH}		RC Run mode with CLKS1/2 = CLKB = CLKP1/2 = CLKRC = 2MHz	-	1.8	-	mA	T _A = +25°C
			Flash 0 wait	-	-	6	mA	T _A = +105°C
			(CLKMC, CLKPLL and CLKSC stopped)	-	-	7.5	mA	T _A = +125°C
	I _{CCRCL}		RC Run mode with CLKS1/2 = CLKB = CLKP1/2 = CLKRC = 100kHz	-	0.16	-	mA	T _A = +25°C
			Flash 0 wait	-	-	3.5	mA	T _A = +105°C
			(CLKMC, CLKPLL and CLKSC stopped)	-	-	5	mA	T _A = +125°C
	I _{CCSUB}		Sub Run mode with CLKS1/2 = CLKB = CLKP1/2 = 32kHz	-	0.1	-	mA	T _A = +25°C
			Flash 0 wait	-	-	3.3	mA	T _A = +105°C
			(CLKMC, CLKPLL and CLKRC stopped)	-	-	4.8	mA	T _A = +125°C

Parameter	Symbol	Pin name	Conditions	Value			Unit	Remarks
				Min	Typ	Max		
Power supply current in Sleep modes *1	I _{CCSPLL}	V _{CC}	PLL Sleep mode with CLKS1/2 = CLKP1/2 = 32MHz (CLKRC and CLKSC stopped)	-	9.5	-	mA	T _A = +25°C
				-	-	15	mA	T _A = +105°C
				-	-	16.5	mA	T _A = +125°C
	I _{CCSMAN}		Main Sleep mode with CLKS1/2 = CLKP1/2 = 4MHz, SMCR:LPMSS = 0 (CLKPLL, CLKRC and CLKSC stopped)	-	1.1	-	mA	T _A = +25°C
				-	-	4.7	mA	T _A = +105°C
				-	-	6.2	mA	T _A = +125°C
	I _{CCSRCH}		RC Sleep mode with CLKS1/2 = CLKP1/2 = CLKRC = 2MHz, SMCR:LPMSS = 0 (CLKMC, CLKPLL and CLKSC stopped)	-	0.6	-	mA	T _A = +25°C
				-	-	4.1	mA	T _A = +105°C
				-	-	5.6	mA	T _A = +125°C
	I _{CCSRCL}		RC Sleep mode with CLKS1/2 = CLKP1/2 = CLKRC = 100kHz (CLKMC, CLKPLL and CLKSC stopped)	-	0.07	-	mA	T _A = +25°C
				-	-	2.9	mA	T _A = +105°C
				-	-	4.4	mA	T _A = +125°C
	I _{CCSSUB}		Sub Sleep mode with CLKS1/2 = CLKP1/2 = 32kHz, (CLKMC, CLKPLL and CLKRC stopped)	-	0.04	-	mA	T _A = +25°C
				-	-	2.7	mA	T _A = +105°C
				-	-	4.2	mA	T _A = +125°C

MB966B0 Series

Parameter	Symbol	Pin name	Conditions	Value			Unit	Remarks
				Min	Typ	Max		
Power supply current in Timer modes *2	I _{CCTPLL}	V _{CC}	PLL Timer mode with CLKPLL = 32MHz (CLKRC and CLKSC stopped)	-	1800	2250	μA	T _A = +25°C
				-	-	3220	μA	T _A = +105°C
				-	-	4200	μA	T _A = +125°C
	I _{CCTMAIN}		Main Timer mode with CLKMC = 4MHz, SMCR:LPMSS = 0 (CLKPLL, CLKRC and CLKSC stopped)	-	285	330	μA	T _A = +25°C
				-	-	1200	μA	T _A = +105°C
				-	-	2155	μA	T _A = +125°C
	I _{CCTRCH}		RC Timer mode with CLKRC = 2MHz, SMCR:LPMSS = 0 (CLKPLL, CLKMC and CLKSC stopped)	-	160	215	μA	T _A = +25°C
				-	-	1110	μA	T _A = +105°C
				-	-	2065	μA	T _A = +125°C
	I _{CCTRCL}		RC Timer mode with CLKRC = 100kHz, (CLKPLL, CLKMC and CLKSC stopped)	-	35	75	μA	T _A = +25°C
				-	-	910	μA	T _A = +105°C
				-	-	1870	μA	T _A = +125°C
	I _{CCTSUB}		Sub Timer mode with CLKSC = 32kHz (CLKMC, CLKPLL and CLKRC stopped)	-	25	65	μA	T _A = +25°C
				-	-	885	μA	T _A = +105°C
				-	-	1845	μA	T _A = +125°C

Parameter	Symbol	Pin name	Conditions	Value			Unit	Remarks
				Min	Typ	Max		
Power supply current in Stop mode* ³	I _{CCH}	V _{CC}	-	-	20	60	μA	T _A = +25°C
				-	-	880	μA	T _A = +105°C
				-	-	1840	μA	T _A = +125°C
Flash Power Down current	I _{CCFLASHDPD}		-	-	36	70	μA	
Power supply current for active Low Voltage detector* ⁴	I _{CCLVD}		Low voltage detector enabled	-	5	-	μA	T _A = +25°C
				-	-	12.5	μA	T _A = +125°C
Flash Write/ Erase current* ⁵	I _{CCFLASH}	-	-	12.5	-	mA	T _A = +25°C	
			-	-	20	mA	T _A = +125°C	

*1: The power supply current is measured with a 4MHz external clock connected to the Main oscillator and a 32kHz external clock connected to the Sub oscillator. See chapter "Standby mode and voltage regulator control circuit" of the Hardware Manual for further details about voltage regulator control. Current for "On Chip Debugger" part is not included. Power supply current in Run mode does not include Flash Write / Erase current.

*2: The power supply current in Timer mode is the value when Flash is in Power-down / reset mode. When Flash is not in Power-down / reset mode, I_{CCFLASHDPD} must be added to the Power supply current. The power supply current is measured with a 4MHz external clock connected to the Main oscillator and a 32kHz external clock connected to the Sub oscillator. The current for "On Chip Debugger" part is not included.

*3: The power supply current in Stop mode is the value when Flash is in Power-down / reset mode. When Flash is not in Power-down / reset mode, I_{CCFLASHDPD} must be added to the Power supply current.

*4: When low voltage detector is enabled, I_{CCLVD} must be added to Power supply current.

*5: When Flash Write / Erase program is executed, I_{CCFLASH} must be added to Power supply current.

MB966B0 Series

(2) Pin Characteristics

($V_{CC} = AV_{CC} = 2.7V$ to $5.5V$, $V_{SS} = AV_{SS} = 0V$, $T_A = -40^{\circ}C$ to $+125^{\circ}C$)

Parameter	Symbol	Pin name	Conditions	Value			Unit	Remarks
				Min	Typ	Max		
"H" level input voltage	V_{IH}	Port inputs Pnn_m	-	$V_{CC} \times 0.7$	-	$V_{CC} + 0.3$	V	CMOS Hysteresis input
			-	$V_{CC} \times 0.8$	-	$V_{CC} + 0.3$	V	AUTOMOTIVE Hysteresis input
	V_{IHx0S}	X0	External clock in "Fast Clock Input mode"	$VD \times 0.8$	-	VD	V	$VD=1.8V \pm 0.15V$
	V_{IHx0AS}	X0A	External clock in "Oscillation mode"	$V_{CC} \times 0.8$	-	$V_{CC} + 0.3$	V	
	V_{IHR}	RSTX	-	$V_{CC} \times 0.8$	-	$V_{CC} + 0.3$	V	CMOS Hysteresis input
	V_{IHM}	MD	-	$V_{CC} - 0.3$	-	$V_{CC} + 0.3$	V	CMOS Hysteresis input
	V_{IHD}	DEBUG I/F	-	2.0	-	$V_{CC} + 0.3$	V	TTL Input
"L" level input voltage	V_{IL}	Port inputs Pnn_m	-	$V_{SS} - 0.3$	-	$V_{CC} \times 0.3$	V	CMOS Hysteresis input
			-	$V_{SS} - 0.3$	-	$V_{CC} \times 0.5$	V	AUTOMOTIVE Hysteresis input
	V_{ILx0S}	X0	External clock in "Fast Clock Input mode"	V_{SS}	-	$VD \times 0.2$	V	$VD=1.8V \pm 0.15V$
	V_{ILx0AS}	X0A	External clock in "Oscillation mode"	$V_{SS} - 0.3$	-	$V_{CC} \times 0.2$	V	
	V_{ILR}	RSTX	-	$V_{SS} - 0.3$	-	$V_{CC} \times 0.2$	V	CMOS Hysteresis input
	V_{ILM}	MD	-	$V_{SS} - 0.3$	-	$V_{SS} + 0.3$	V	CMOS Hysteresis input
	V_{ILD}	DEBUG I/F	-	$V_{SS} - 0.3$	-	0.8	V	TTL Input
"H" level output voltage	V_{OH4}	4mA type	$4.5V \leq V_{CC} \leq 5.5V$ $I_{OH} = -4mA$	$V_{CC} - 0.5$	-	V_{CC}	V	
			$2.7V \leq V_{CC} < 4.5V$ $I_{OH} = -1.5mA$					
	V_{OH20}	High Drive type*	$4.5V \leq V_{CC} \leq 5.5V$ $I_{OH} = -20mA$	$V_{CC} - 0.6$	-	V_{CC}	V	
V_{OH3}	3mA type	$2.7V \leq V_{CC} < 4.5V$ $I_{OH} = -1.5mA$						
"L" level output voltage	V_{OL4}	4mA type	$4.5V \leq V_{CC} \leq 5.5V$ $I_{OL} = +4mA$	-	-	0.4	V	
			$2.7V \leq V_{CC} < 4.5V$ $I_{OL} = +1.7mA$					
	V_{OL20}	High Drive type*	$4.5V \leq V_{CC} \leq 5.5V$ $I_{OL} = +20mA$	-	-	0.6	V	
	V_{OL3}	3mA type	$2.7V \leq V_{CC} < 4.5V$ $I_{OL} = +13mA$					
	V_{OLD}	DEBUG I/F	$V_{CC} = 2.7V$ $I_{OL} = +25mA$	0	-	0.25	V	

Parameter	Symbol	Pin name	Conditions	Value			Unit	Remarks
				Min	Typ	Max		
Input leak current	I _{IL}	Pnn_m	V _{SS} < V _I < V _{CC} AV _{SS} , AVRL < V _I < AV _{CC} , AVRH	- 1	-	+ 1	μA	Single port pin except high current output I/O
		P08_m, P09_m, P10_m	V _{SS} < V _I < V _{CC} AV _{SS} , AVRL < V _I < AV _{CC} , AVRH	- 3	-	+ 3	μA	
Total LCD leak current	Σ I _{ILCD}	All SEG/COM pin	V _{CC} = 5.0V	-	0.5	10	μA	Maximum leakage current of all LCD pins
Internal LCD divide resistance	R _{LCD}	Between V3 and V2, V2 and V1, V1 and V0	V _{CC} = 5.0V	6.25	12.5	25	kΩ	
Pull-up resistance value	R _{PU}	Pnn_m	V _{CC} = 5.0V ±10%	25	50	100	kΩ	
Input capacitance	C _{IN}	Other than C, V _{CC} , V _{SS} , AV _{CC} , AV _{SS} , AVRH, AVRL, P08_m, P09_m, P10_m	-	-	5	15	pF	
		P08_m, P09_m, P10_m	-	-	15	30	pF	

*: In the case of high current outputs, set "1" to the bit in the Port High Drive Register.

MB966B0 Series

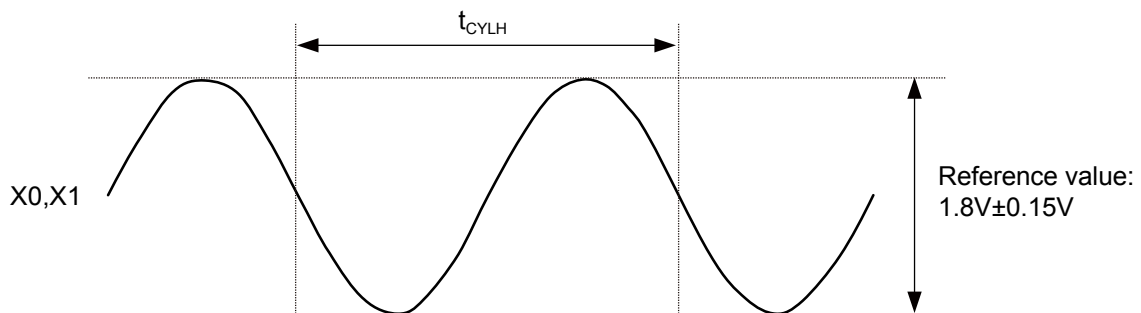
4. AC Characteristics

(1) Main Clock Input Characteristics

($V_{CC} = AV_{CC} = 2.7V$ to $5.5V$, $V_D = 1.8V \pm 0.15V$, $V_{SS} = AV_{SS} = 0V$, $T_A = -40^\circ C$ to $+125^\circ C$)

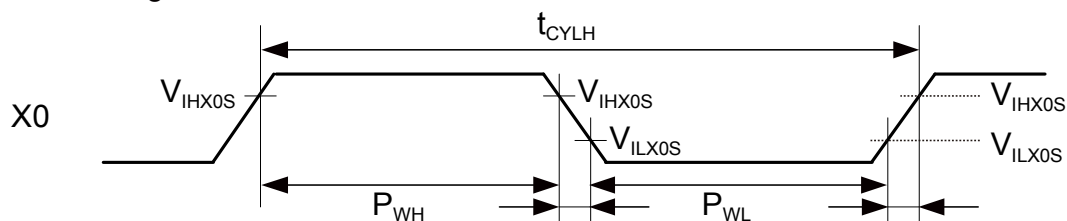
Parameter	Symbol	Pin name	Value			Unit	Remarks
			Min	Typ	Max		
Input frequency	f_C	X0, X1	4	-	8	MHz	When using a crystal oscillator, PLL off
			-	-	8	MHz	When using an opposite phase external clock, PLL off
			4	-	8	MHz	When using a crystal oscillator or opposite phase external clock, PLL on
Input frequency	f_{FCI}	X0	-	-	8	MHz	When using a single phase external clock in "Fast Clock Input mode", PLL off
			4	-	8	MHz	When using a single phase external clock in "Fast Clock Input mode", PLL on
Input clock cycle	t_{CYLH}	-	125	-	-	ns	
Input clock pulse width	P_{WH} , P_{WL}	-	55	-	-	ns	

When using the crystal oscillator



The amplitude changes by resistance, capacity which added outside or the difference of the device.

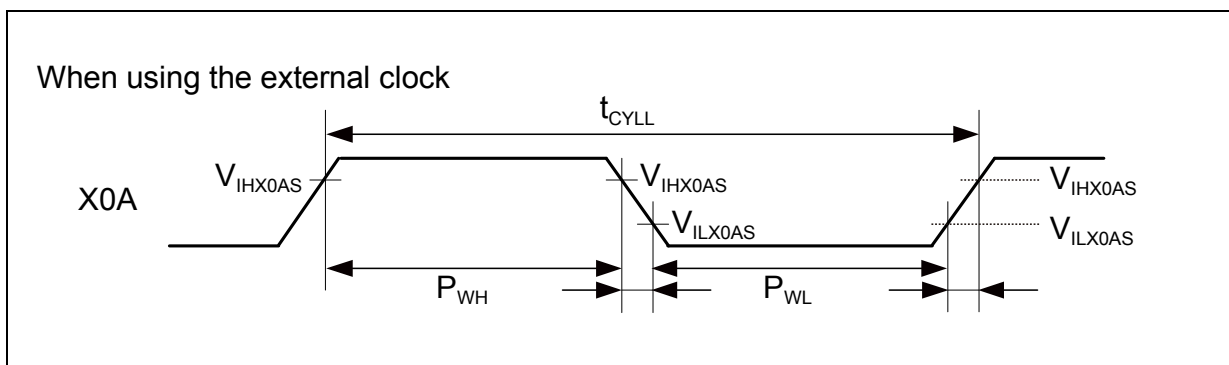
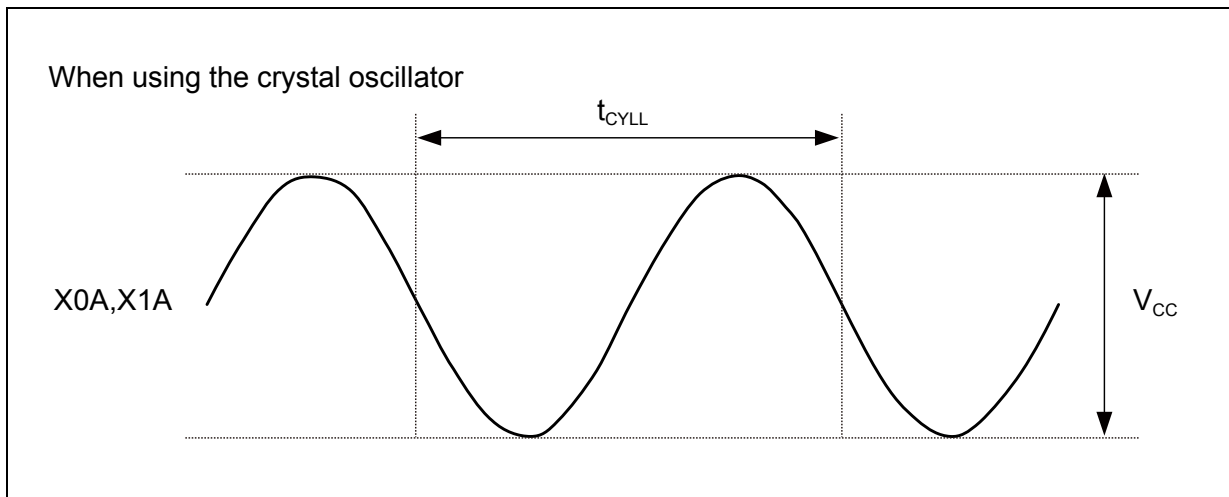
When using the external clock



(2) Sub Clock Input Characteristics

($V_{CC} = AV_{CC} = 2.7V$ to $5.5V$, $V_{SS} = AV_{SS} = 0V$, $T_A = -40^{\circ}C$ to $+125^{\circ}C$)

Parameter	Symbol	Pin name	Conditions	Value			Unit	Remarks
				Min	Typ	Max		
Input frequency	f_{CL}	X0A, X1A	-	-	32.768	-	kHz	When using an oscillation circuit
			-	-	-	100		kHz
		X0A	-	-	-	50	kHz	When using a single phase external clock
Input clock cycle	t_{CYLL}	-	-	10	-	-	μs	
Input clock pulse width	-	-	P_{WH}/t_{CYLL} , P_{WL}/t_{CYLL}	30	-	70	%	



MB966B0 Series

(3) Built-in RC Oscillation Characteristics

($V_{CC} = AV_{CC} = 2.7V$ to $5.5V$, $V_{SS} = AV_{SS} = 0V$, $T_A = -40^{\circ}C$ to $+125^{\circ}C$)

Parameter	Symbol	Value			Unit	Remarks
		Min	Typ	Max		
Clock frequency	f_{RC}	50	100	200	kHz	When using slow frequency of RC oscillator
		1	2	4	MHz	When using fast frequency of RC oscillator
RC clock stabilization time	t_{RCSTAB}	80	160	320	μs	When using slow frequency of RC oscillator (16 RC clock cycles)
		64	128	256	μs	When using fast frequency of RC oscillator (256 RC clock cycles)

(4) Internal Clock Timing

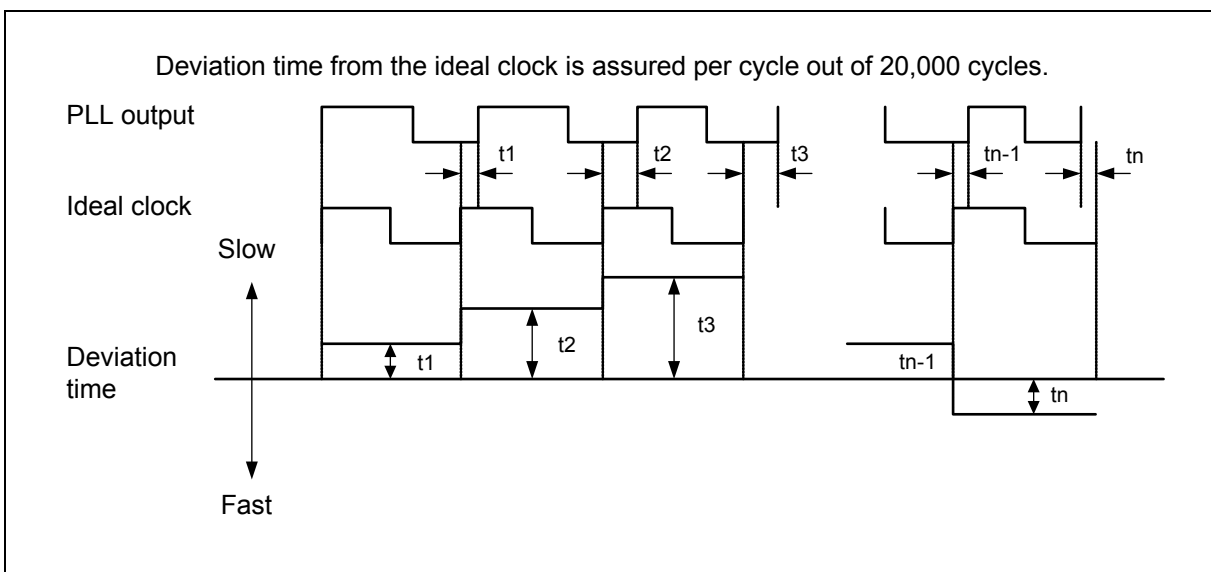
($V_{CC} = AV_{CC} = 2.7V$ to $5.5V$, $V_{SS} = AV_{SS} = 0V$, $T_A = -40^{\circ}C$ to $+125^{\circ}C$)

Parameter	Symbol	Value		Unit
		Min	Max	
Internal System clock frequency (CLKS1 and CLKS2)	f_{CLKS1}, f_{CLKS2}	-	54	MHz
Internal CPU clock frequency (CLKB), Internal peripheral clock frequency (CLKP1)	f_{CLKB}, f_{CLKP1}	-	32	MHz
Internal peripheral clock frequency (CLKP2)	f_{CLKP2}	-	32	MHz

(5) Operating Conditions of PLL

($V_{CC} = AV_{CC} = 2.7V$ to $5.5V$, $V_{SS} = AV_{SS} = 0V$, $T_A = -40^{\circ}C$ to $+125^{\circ}C$)

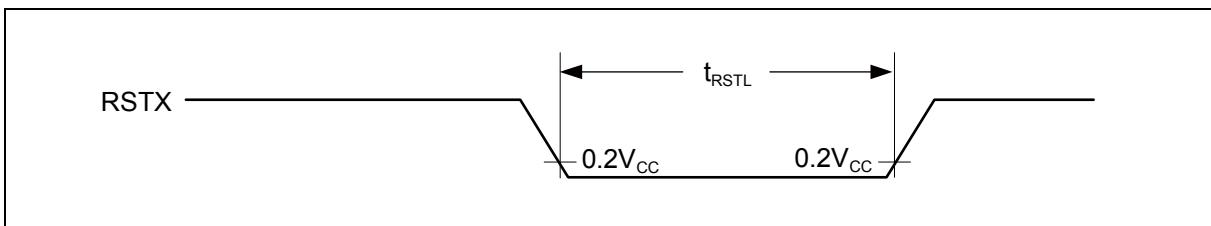
Parameter	Symbol	Value			Unit	Remarks
		Min	Typ	Max		
PLL oscillation stabilization wait time	t_{LOCK}	1	-	4	ms	For CLKMC = 4MHz
PLL input clock frequency	f_{PLLI}	4	-	8	MHz	
PLL oscillation clock frequency	f_{CLKVCO}	56	-	108	MHz	Permitted VCO output frequency of PLL (CLKVCO)
PLL phase jitter	t_{PSKEW}	-5	-	+5	ns	For CLKMC (PLL input clock) $\geq 4MHz$



(6) Reset Input

($V_{CC} = AV_{CC} = 2.7V$ to $5.5V$, $V_{SS} = AV_{SS} = 0V$, $T_A = -40^{\circ}C$ to $+125^{\circ}C$)

Parameter	Symbol	Pin name	Value		Unit
			Min	Max	
Reset input time	t_{RSTL}	RSTX	10	-	μs
Rejection of reset input time			1	-	μs

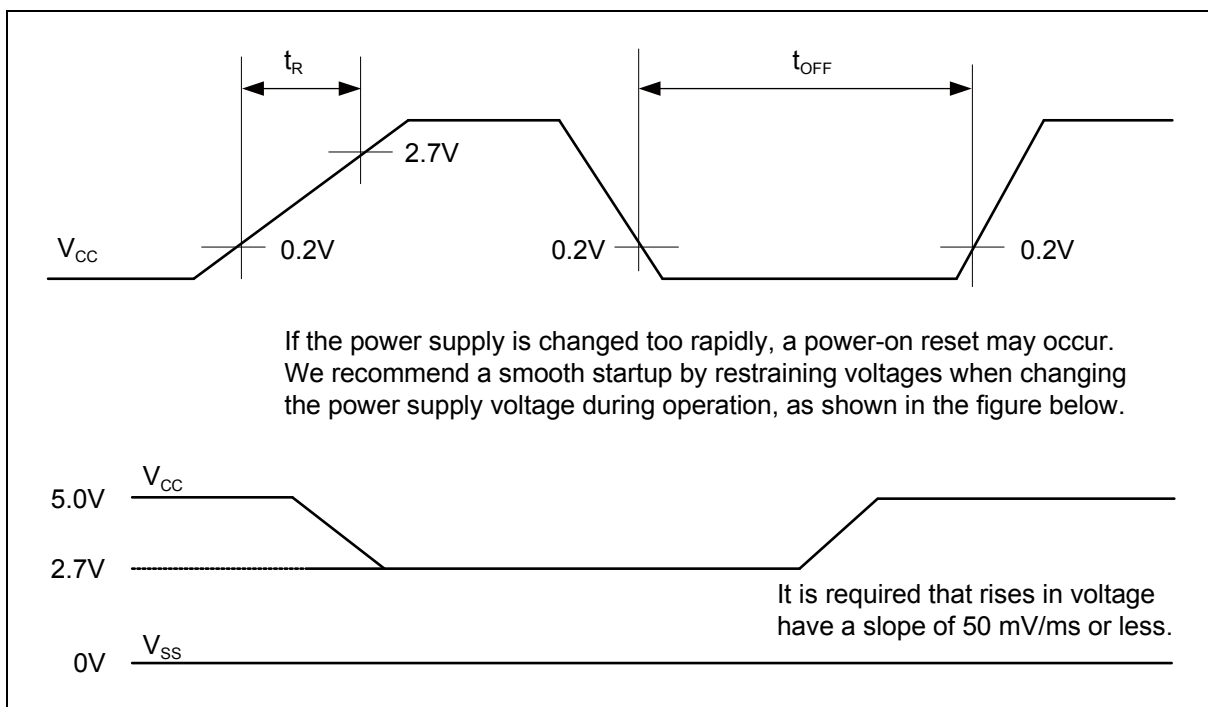


MB966B0 Series

(7) Power-on Reset Timing

($V_{CC} = AV_{CC} = 2.7V$ to $5.5V$, $V_{SS} = AV_{SS} = 0V$, $T_A = -40^{\circ}C$ to $+125^{\circ}C$)

Parameter	Symbol	Pin name	Value			Unit
			Min	Typ	Max	
Power on rise time	t_R	Vcc	0.05	-	30	ms
Power off time	t_{OFF}	Vcc	1	-	-	ms



(8) USART Timing

($V_{CC} = AV_{CC} = 2.7V$ to $5.5V$, $V_{SS} = AV_{SS} = 0V$, $T_A = -40^{\circ}C$ to $+125^{\circ}C$, $C_L = 50pF$)

Parameter	Symbol	Pin name	Conditions	4.5V ≤ V _{CC} < 5.5V		2.7V ≤ V _{CC} < 4.5V		Unit
				Min	Max	Min	Max	
Serial clock cycle time	t _{SCYC}	SCKn	Internal shift clock mode	4t _{CLKP1}	-	4t _{CLKP1}	-	ns
SCK ↓ → SOT delay time	t _{SLOV1}	SCKn, SOTn		- 20	+ 20	- 30	+ 30	ns
SOT → SCK ↑ delay time	t _{OVSH1}	SCKn, SOTn		N×t _{CLKP1} - 20*	-	N×t _{CLKP1} - 30*	-	ns
SIN → SCK ↑ setup time	t _{IVSH1}	SCKn, SINn		t _{CLKP1} + 45	-	t _{CLKP1} + 55	-	ns
SCK ↑ → SIN hold time	t _{SHIX1}	SCKn, SINn		0	-	0	-	ns
Serial clock "L" pulse width	t _{SLSH}	SCKn	External shift clock mode	t _{CLKP1} + 10	-	t _{CLKP1} + 10	-	ns
Serial clock "H" pulse width	t _{SHSL}	SCKn		t _{CLKP1} + 10	-	t _{CLKP1} + 10	-	ns
SCK ↓ → SOT delay time	t _{SLOVE}	SCKn, SOTn		-	2t _{CLKP1} + 45	-	2t _{CLKP1} + 55	ns
SIN → SCK ↑ setup time	t _{IVSHE}	SCKn, SINn		t _{CLKP1} /2 + 10	-	t _{CLKP1} /2 + 10	-	ns
SCK ↑ → SIN hold time	t _{SHIXE}	SCKn, SINn		t _{CLKP1} + 10	-	t _{CLKP1} + 10	-	ns
SCK fall time	t _F	SCKn		-	20	-	20	ns
SCK rise time	t _R	SCKn		-	20	-	20	ns

- Notes:
- AC characteristic in CLK synchronized mode.
 - C_L is the load capacity value of pins when testing.
 - Depending on the used machine clock frequency, the maximum possible baud rate can be limited by some parameters. These parameters are shown in "MB96600 series HARDWARE MANUAL".
 - t_{CLKP1} indicates the peripheral clock 1 (CLKP1), Unit: ns
 - These characteristics only guarantee the same relocate port number.
For example, the combination of SCKn and SOTn_R is not guaranteed.

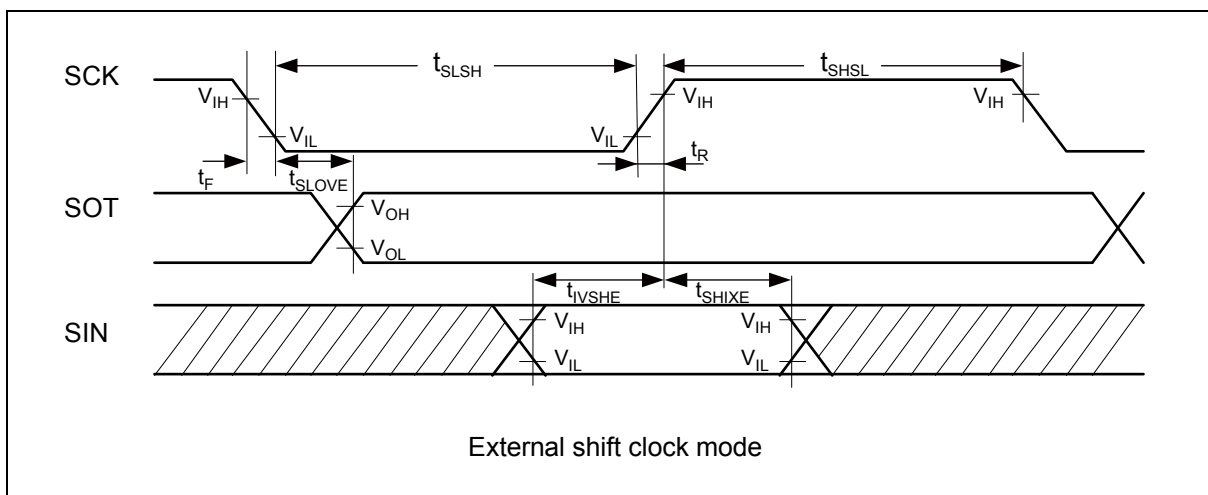
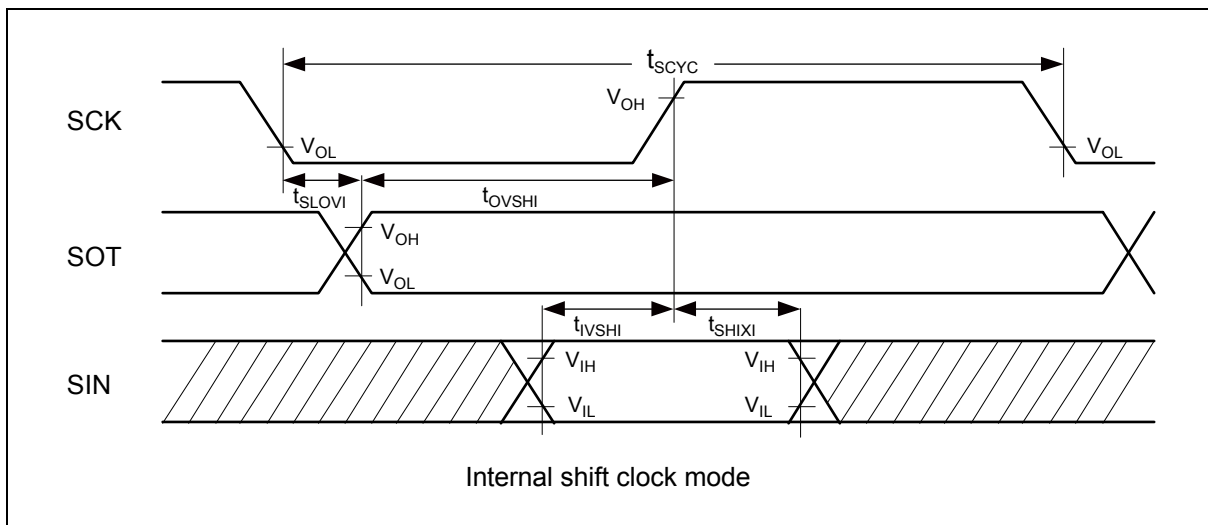
*: Parameter N depends on t_{SCYC} and can be calculated as follows:

- If t_{SCYC} = 2 × k × t_{CLKP1}, then N = k, where k is an integer > 2
- If t_{SCYC} = (2 × k + 1) × t_{CLKP1}, then N = k + 1, where k is an integer > 1

Examples:

t _{SCYC}	N
4 × t _{CLKP1}	2
5 × t _{CLKP1} , 6 × t _{CLKP1}	3
7 × t _{CLKP1} , 8 × t _{CLKP1}	4
...	...

MB966B0 Series

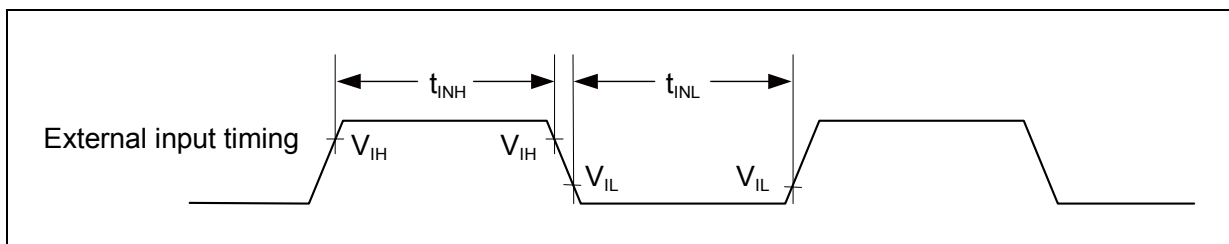


(9) External Input Timing

($V_{CC} = AV_{CC} = 2.7V$ to $5.5V$, $V_{SS} = AV_{SS} = 0V$, $T_A = -40^{\circ}C$ to $+125^{\circ}C$)

Parameter	Symbol	Pin name	Value		Unit	Remarks
			Min	Max		
Input pulse width	t_{INH} , t_{INL}	Pnn_m	$2t_{CLKP1} + 200$ ($t_{CLKP1} = 1/f_{CLKP1}$)*	-	ns	General Purpose I/O
		ADTG				A/D Converter trigger input
		TINn				Reload Timer
		TTGn				PPG trigger input
		FRCKn, FRCKn_R				Free-Running Timer input clock
		INn, INn_R				Input Capture
		AINn, BINn, ZINn				Quadrature Position/Revolution Counter
		INTn, INTn_R				External Interrupt
		NMI				Non-Maskable Interrupt
			200	-	ns	

*: t_{CLKP1} indicates the peripheral clock1 (CLKP1) cycle time except stop when in stop mode.



MB966B0 Series

(10) I²C Timing

(V_{CC} = AV_{CC} = 2.7V to 5.5V, V_{SS} = AV_{SS} = 0V, T_A = -40°C to +125°C)

Parameter	Symbol	Conditions	Typical mode		High-speed mode*4		Unit
			Min	Max	Min	Max	
SCL clock frequency	f _{SCL}	C _L = 50pF, R = (V _p /I _{OL})*1	0	100	0	400	kHz
(Repeated) START condition hold time SDA ↓ → SCL ↓	t _{HDSTA}		4.0	-	0.6	-	μs
SCL clock "L" width	t _{LOW}		4.7	-	1.3	-	μs
SCL clock "H" width	t _{HIGH}		4.0	-	0.6	-	μs
(Repeated) START condition setup time SCL ↑ → SDA ↓	t _{SUSTA}		4.7	-	0.6	-	μs
Data hold time SCL ↓ → SDA ↓ ↑	t _{HDDAT}		0	3.45*2	0	0.9*3	μs
Data setup time SDA ↓ ↑ → SCL ↑	t _{SUDAT}		250	-	100	-	ns
STOP condition setup time SCL ↑ → SDA ↑	t _{SUSTO}		4.0	-	0.6	-	μs
Bus free time between "STOP condition" and "START condition"	t _{BUS}		4.7	-	1.3	-	μs
Pulse width of spikes which will be suppressed by input noise filter	t _{SP}		-	0	(1-1.5) × t _{CLKP1} *5	0	(1-1.5) × t _{CLKP1} *5

*1: R and C_L represent the pull-up resistance and load capacitance of the SCL and SDA lines, respectively.

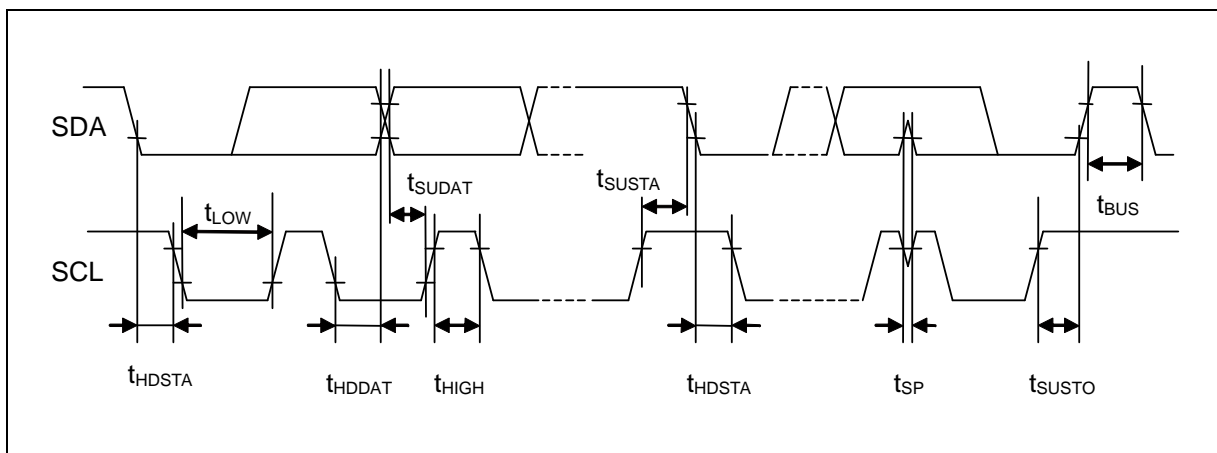
V_p indicates the power supply voltage of the pull-up resistance and I_{OL} indicates V_{OL} guaranteed current.

*2: The maximum t_{HDDAT} only has to be met if the device does not extend the "L" width (t_{LOW}) of the SCL signal.

*3: A high-speed mode I²C bus device can be used on a standard mode I²C bus system as long as the device satisfies the requirement of "t_{SUDAT} ≥ 250ns".

*4: For use at over 100kHz, set the peripheral clock1 (CLKP1) to at least 6MHz.

*5: t_{CLKP1} indicates the peripheral clock1 (CLKP1) cycle time.



5. A/D Converter

(1) Electrical Characteristics for the A/D Converter

($V_{CC} = AV_{CC} = 2.7V$ to $5.5V$, $V_{SS} = AV_{SS} = 0V$, $T_A = -40^{\circ}C$ to $+125^{\circ}C$)

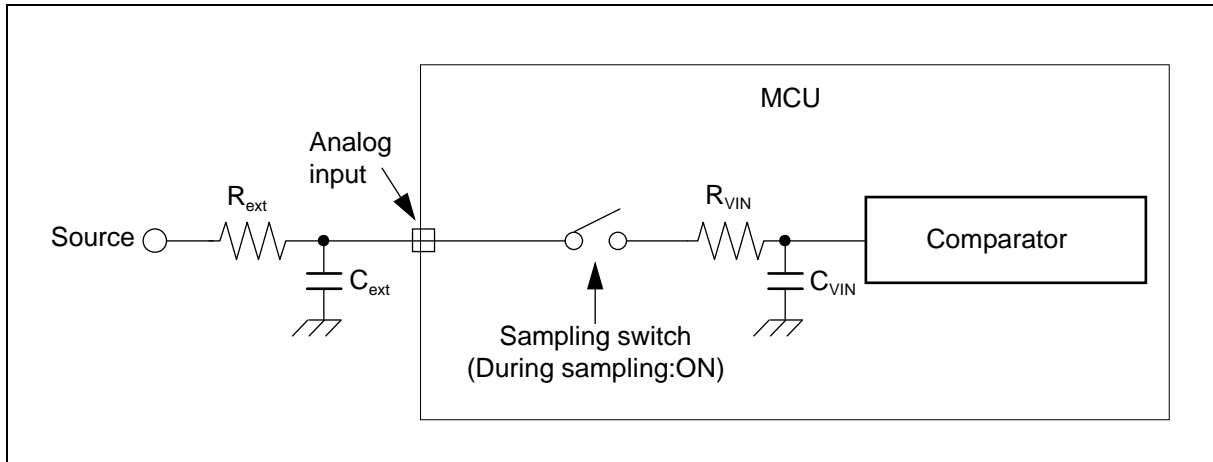
Parameter	Symbol	Pin name	Value			Unit	Remarks
			Min	Typ	Max		
Resolution	-	-	-	-	10	bit	
Total error	-	-	- 3.0	-	+ 3.0	LSB	
Nonlinearity error	-	-	- 2.5	-	+ 2.5	LSB	
Differential Nonlinearity error	-	-	- 1.9	-	+ 1.9	LSB	
Zero transition voltage	V_{OT}	ANn	Typ - 20	AVRL + 0.5LSB	Typ + 20	mV	
Full scale transition voltage	V_{FST}	ANn	Typ - 20	AVRH - 1.5LSB	Typ + 20	mV	
Compare time *	-	-	1.0	-	5.0	μs	$4.5V \leq AV_{CC} \leq 5.5V$
			2.2	-	8.0	μs	$2.7V \leq AV_{CC} < 4.5V$
Sampling time *	-	-	0.5	-	-	μs	$4.5V \leq AV_{CC} \leq 5.5V$
			1.2	-	-	μs	$2.7V \leq AV_{CC} < 4.5V$
Power supply current	I_A	AVCC	-	2.0	3.1	mA	A/D Converter active
	I_{AH}		-	-	3.3	μA	A/D Converter not operated
Reference power supply current (between AVRH and AVRL)	I_R	AVRH	-	520	810	μA	A/D Converter active
	I_{RH}		-	-	1.0	μA	A/D Converter not operated
Analog input capacity	C_{VIN}	AN2 to 4, 6 to 8, 10 to 12, 14, 15	-	-	16.0	pF	Normal outputs
		AN16 to 31	-	-	17.8	pF	High current outputs
Analog impedance	R_{VIN}	ANn	-	-	2050	Ω	$4.5V \leq AV_{CC} \leq 5.5V$
			-	-	3600	Ω	$2.7V \leq AV_{CC} < 4.5V$
Analog port input current (during conversion)	I_{AIN}	AN2 to 4, 6 to 8, 10 to 12, 14, 15	- 0.3	-	+ 0.3	μA	$AV_{SS}, AVRL < V_{AIN} < AV_{CC}, AVRH$
		AN16 to 31	- 3.0	-	+ 3.0	μA	
Analog input voltage	V_{AIN}	ANn	AVRL	-	AVRH	V	
Reference voltage range	-	AVRH	AV_{CC} - 0.1	-	AV_{CC}	V	
	-	AVRL	AV_{SS}	-	AV_{SS} + 0.1	V	
Variation between channels	-	ANn	-	-	4.0	LSB	

*: Time for each channel.

(2) Accuracy and Setting of the A/D Converter Sampling Time

If the external impedance is too high or the sampling time too short, the analog voltage charged to the internal sample and hold capacitor is insufficient, adversely affecting the A/D conversion precision.

To satisfy the A/D conversion precision, a sufficient sampling time must be selected. The required sampling time (T_{samp}) depends on the external driving impedance R_{ext} , the board capacitance of the A/D converter input pin C_{ext} and the AV_{CC} voltage level. The following replacement model can be used for the calculation:



R_{ext} : External driving impedance

C_{ext} : Capacitance of PCB at A/D converter input

C_{VIN} : Analog input capacity (I/O, analog switch and ADC are contained)

R_{VIN} : Analog input impedance (I/O, analog switch and ADC are contained)

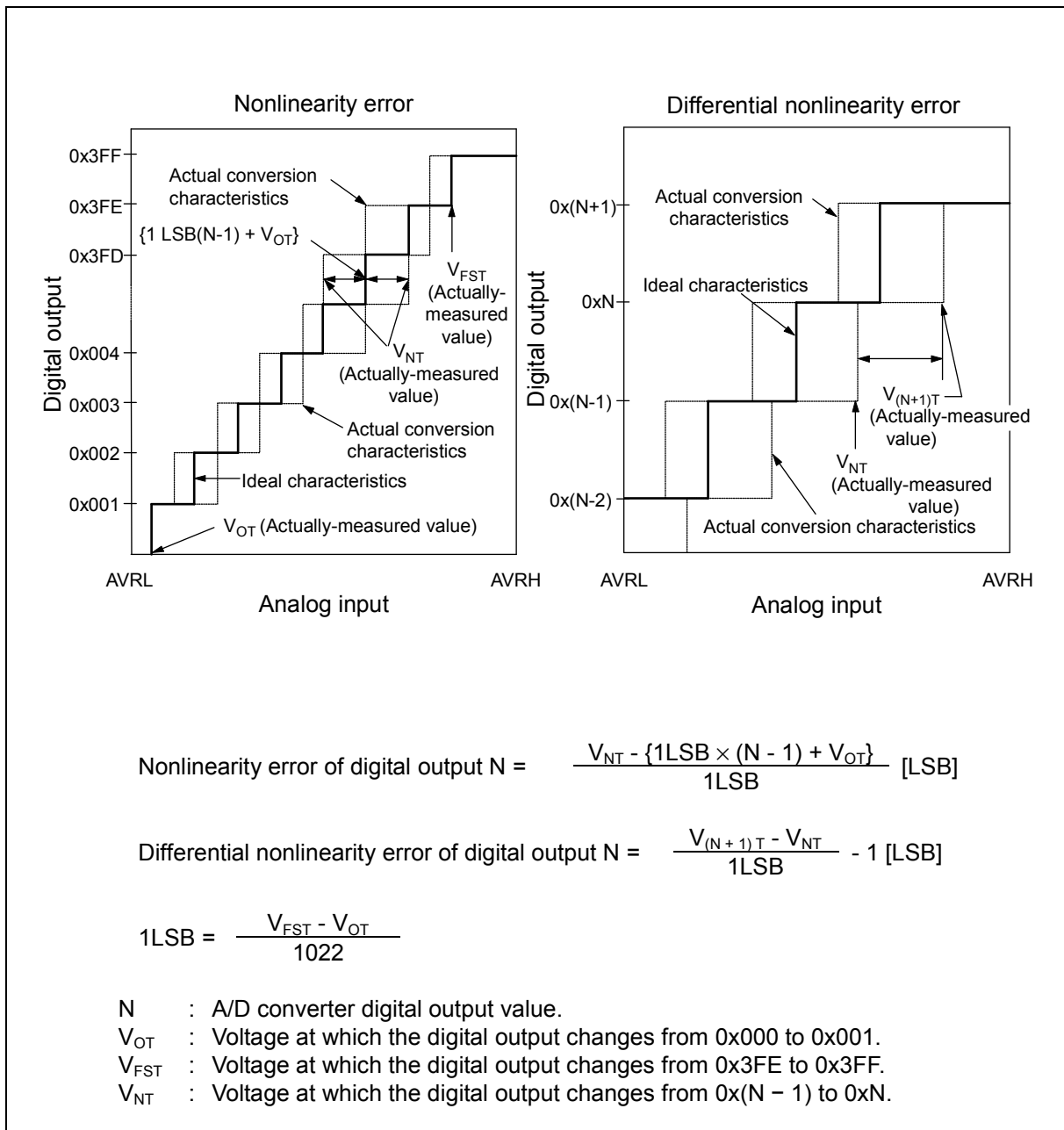
The following approximation formula for the replacement model above can be used:

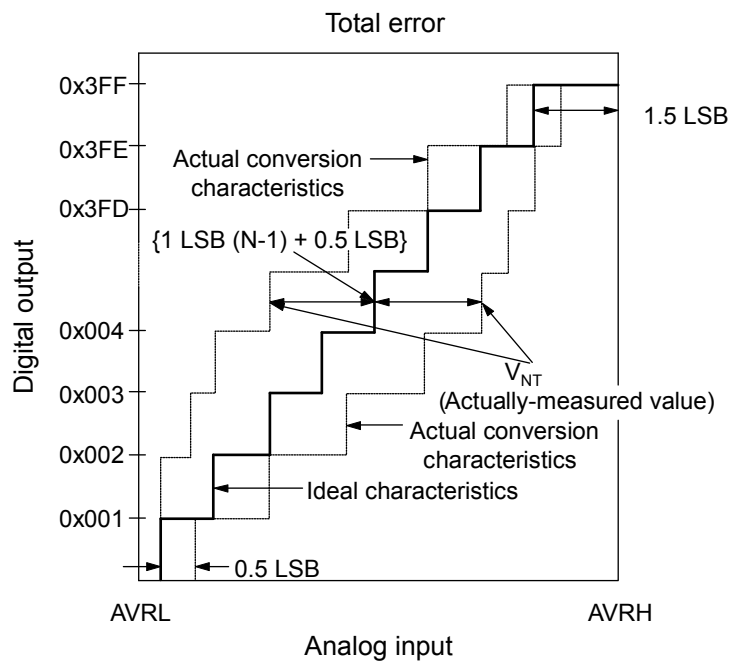
$$T_{\text{samp}} = 7.62 \times (R_{\text{ext}} \times C_{\text{ext}} + (R_{\text{ext}} + R_{\text{VIN}}) \times C_{\text{VIN}})$$

- Do not select a sampling time below the absolute minimum permitted value.
($0.5\mu\text{s}$ for $4.5\text{V} \leq AV_{\text{CC}} \leq 5.5\text{V}$, $1.2\mu\text{s}$ for $2.7\text{V} \leq AV_{\text{CC}} < 4.5\text{V}$)
- If the sampling time cannot be sufficient, connect a capacitor of about $0.1\mu\text{F}$ to the analog input pin.
- A big external driving impedance also adversely affects the A/D conversion precision due to the pin input leakage current I_{IL} (static current before the sampling switch) or the analog input leakage current I_{AIN} (total leakage current of pin input and comparator during sampling). The effect of the pin input leakage current I_{IL} cannot be compensated by an external capacitor.
- The accuracy gets worse as $|AV_{\text{RH}} - AV_{\text{RL}}|$ becomes smaller.

(3) Definition of A/D Converter Terms

- Resolution : Analog variation that is recognized by an A/D converter.
- Nonlinearity error : Deviation of the actual conversion characteristics from a straight line that connects the zero transition point (0b0000000000 ←→ 0b0000000001) to the full-scale transition point (0b1111111110 ←→ 0b1111111111).
- Differential nonlinearity error : Deviation from the ideal value of the input voltage that is required to change the output code by 1LSB.
- Total error : Difference between the actual value and the theoretical value. The total error includes zero transition error, full-scale transition error and nonlinearity error.
- Zero transition voltage: Input voltage which results in the minimum conversion value.
- Full scale transition voltage: Input voltage which results in the maximum conversion value.





$$1\text{LSB (Ideal value)} = \frac{\text{AVRH} - \text{AVRL}}{1024} \text{ [V]}$$

$$\text{Total error of digital output } N = \frac{V_{\text{NT}} - \{1\text{LSB} \times (N - 1) + 0.5\text{LSB}\}}{1\text{LSB}}$$

N : A/D converter digital output value.

V_{NT} : Voltage at which the digital output changes from $0x(N + 1)$ to $0xN$.

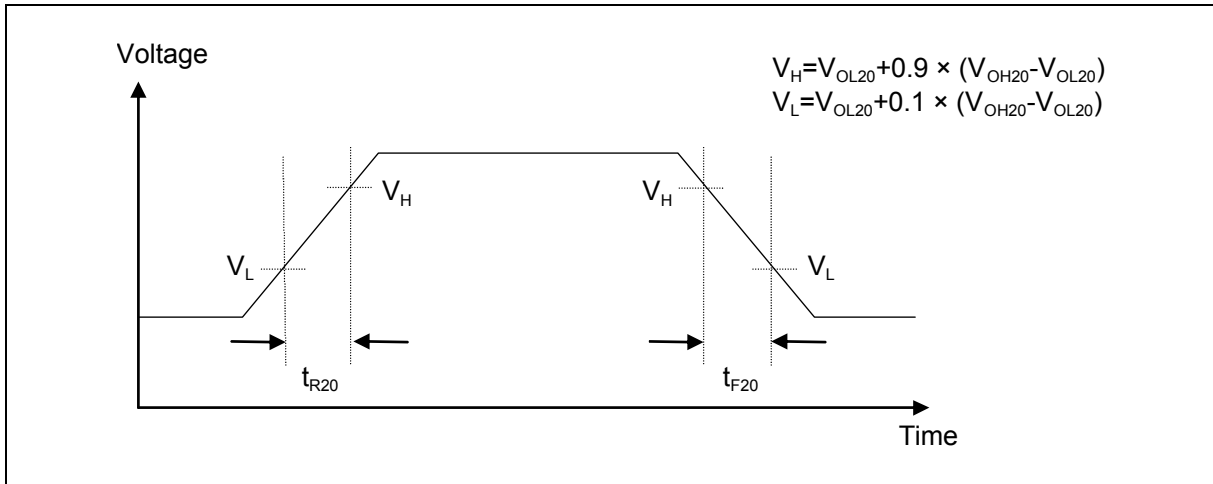
V_{OT} (Ideal value) = $\text{AVRL} + 0.5\text{LSB}$ [V]

V_{FST} (Ideal value) = $\text{AVRH} - 1.5\text{LSB}$ [V]

6. High Current Output Slew Rate

($V_{CC} = AV_{CC} = 2.7V$ to $5.5V$, $V_{SS} = AV_{SS} = 0V$, $T_A = -40^{\circ}C$ to $+125^{\circ}C$)

Parameter	Symbol	Pin name	Conditions	Value			Unit	Remarks
				Min	Typ	Max		
Output rise/fall time	t_{R20} , t_{F20}	P08_m, P09_m, P10_m	Outputs driving strength set to "20mA"	15	-	75	ns	$C_L=85pF$



MB966B0 Series

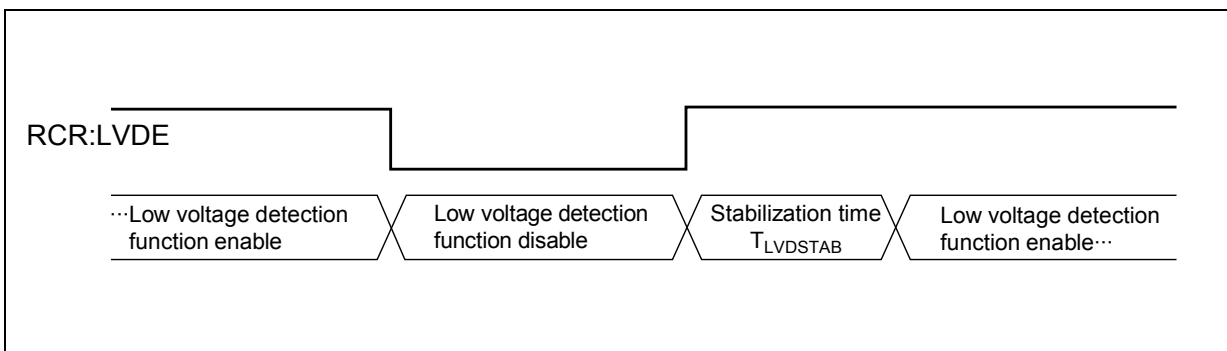
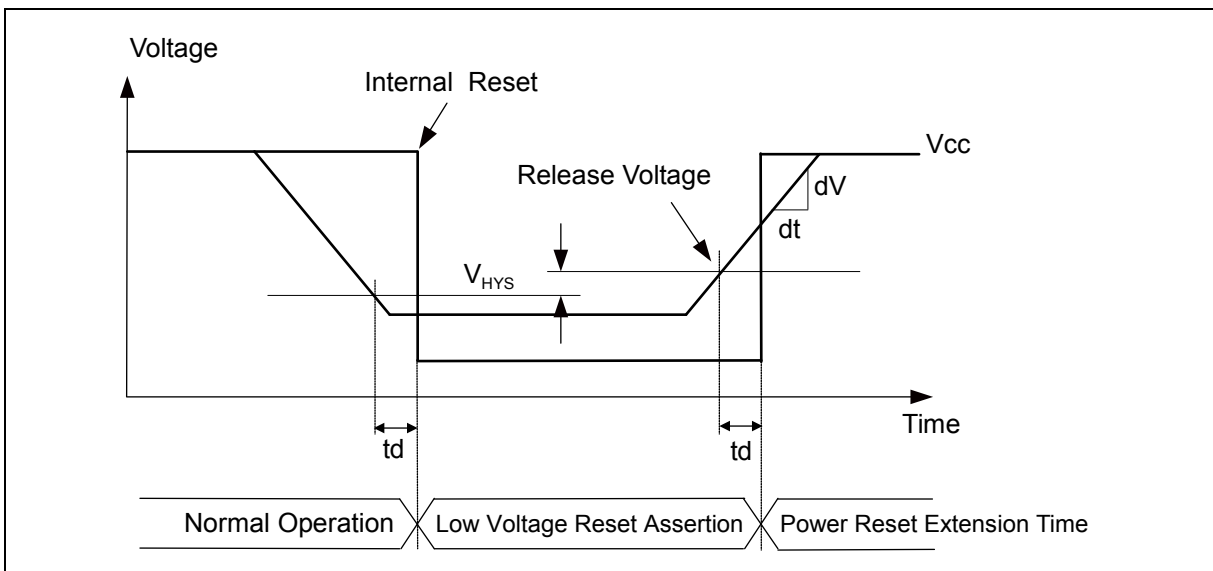
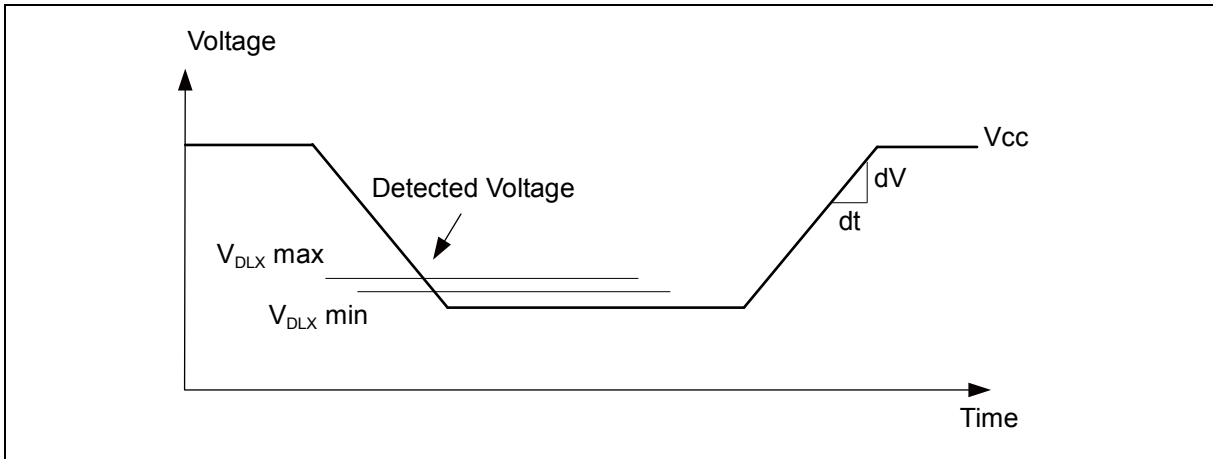
7. Low Voltage Detection Function Characteristics

($V_{CC} = AV_{CC} = 2.7V$ to $5.5V$, $V_{SS} = AV_{SS} = 0V$, $T_A = -40^{\circ}C$ to $+125^{\circ}C$)

Parameter	Symbol	Conditions	Value			Unit
			Min	Typ	Max	
Detected voltage ^{*1}	V_{DL0}	CILCR:LVL = 0000 _B	2.70	2.90	3.10	V
	V_{DL1}	CILCR:LVL = 0001 _B	2.79	3.00	3.21	V
	V_{DL2}	CILCR:LVL = 0010 _B	2.98	3.20	3.42	V
	V_{DL3}	CILCR:LVL = 0011 _B	3.26	3.50	3.74	V
	V_{DL4}	CILCR:LVL = 0100 _B	3.45	3.70	3.95	V
	V_{DL5}	CILCR:LVL = 0111 _B	3.73	4.00	4.27	V
	V_{DL6}	CILCR:LVL = 1001 _B	3.91	4.20	4.49	V
Power supply voltage change rate ^{*2}	dV/dt	-	- 0.004	-	+ 0.004	V/ μ s
Hysteresis width	V_{HYS}	CILCR:LVHYS=0	-	-	50	mV
		CILCR:LVHYS=1	80	100	120	mV
Stabilization time	$T_{LVDSTAB}$	-	-	-	75	μ s
Detection delay time	t_d	-	-	-	30	μ s

*1: If the power supply voltage fluctuates within the time less than the detection delay time (t_d), there is a possibility that the low voltage detection will occur or stop after the power supply voltage passes the detection range.

*2: In order to perform the low voltage detection at the detection voltage (V_{DLX}), be sure to suppress fluctuation of the power supply voltage within the limits of the change ration of power supply voltage.



MB966B0 Series

8. Flash Memory Write/Erase Characteristics

($V_{CC} = AV_{CC} = 2.7V$ to $5.5V$, $V_{SS} = AV_{SS} = 0V$, $T_A = -40^{\circ}C$ to $+125^{\circ}C$)

Parameter		Conditions	Value			Unit	Remarks
			Min	Typ	Max		
Sector erase time	Large Sector	$T_A \leq +105^{\circ}C$	-	1.6	7.5	s	Includes write time prior to internal erase.
	Small Sector	-	-	0.4	2.1	s	
	Security Sector	-	-	0.31	1.65	s	
Word (16-bit) write time	Large Sector	$T_A \leq +105^{\circ}C$	-	25	400	μs	Not including system-level overhead time.
	Small Sector	-	-	25	400	μs	
Chip erase time		$T_A \leq +105^{\circ}C$	-	8.31	40.05	s	Includes write time prior to internal erase.

Note: While the Flash memory is written or erased, shutdown of the external power (V_{CC}) is prohibited. In the application system where the external power (V_{CC}) might be shut down while writing or erasing, be sure to turn the power off by using a low voltage detection function.

To put it concrete, change the external power in the range of change ration of power supply voltage ($-0.004V/\mu s$ to $+0.004V/\mu s$) after the external power falls below the detection voltage (V_{DLX})^{*1}.

Write/Erase cycles and data hold time

Write/Erase cycles (cycle)	Data hold time (year)
1,000	20 ^{*2}
10,000	10 ^{*2}
100,000	5 ^{*2}

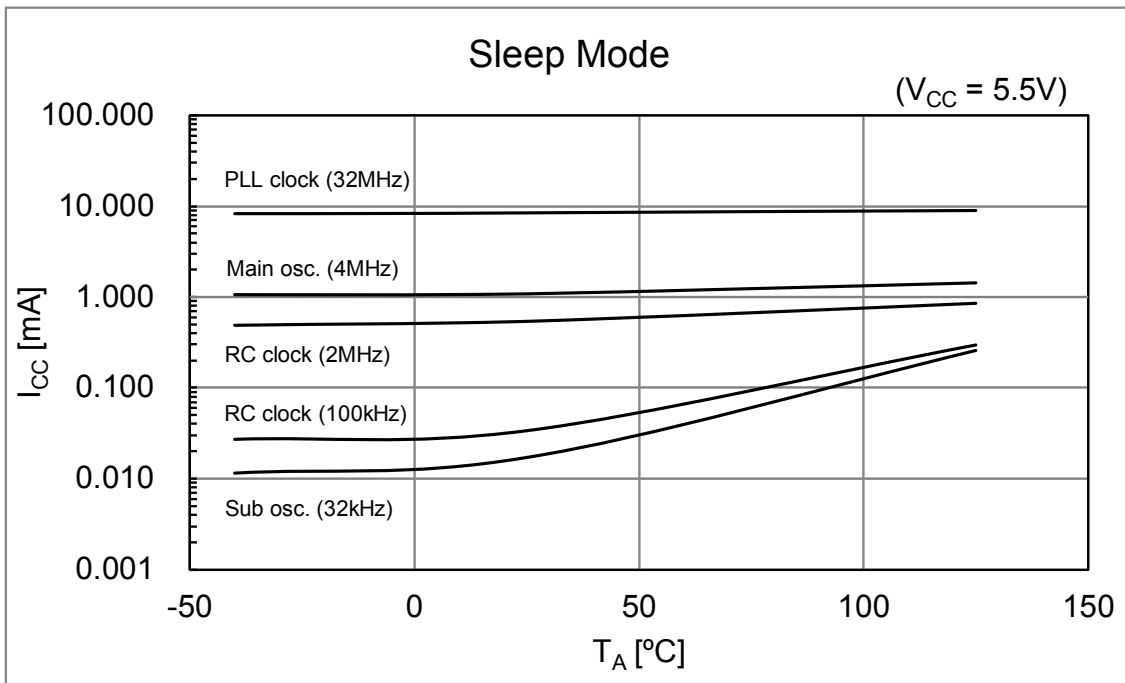
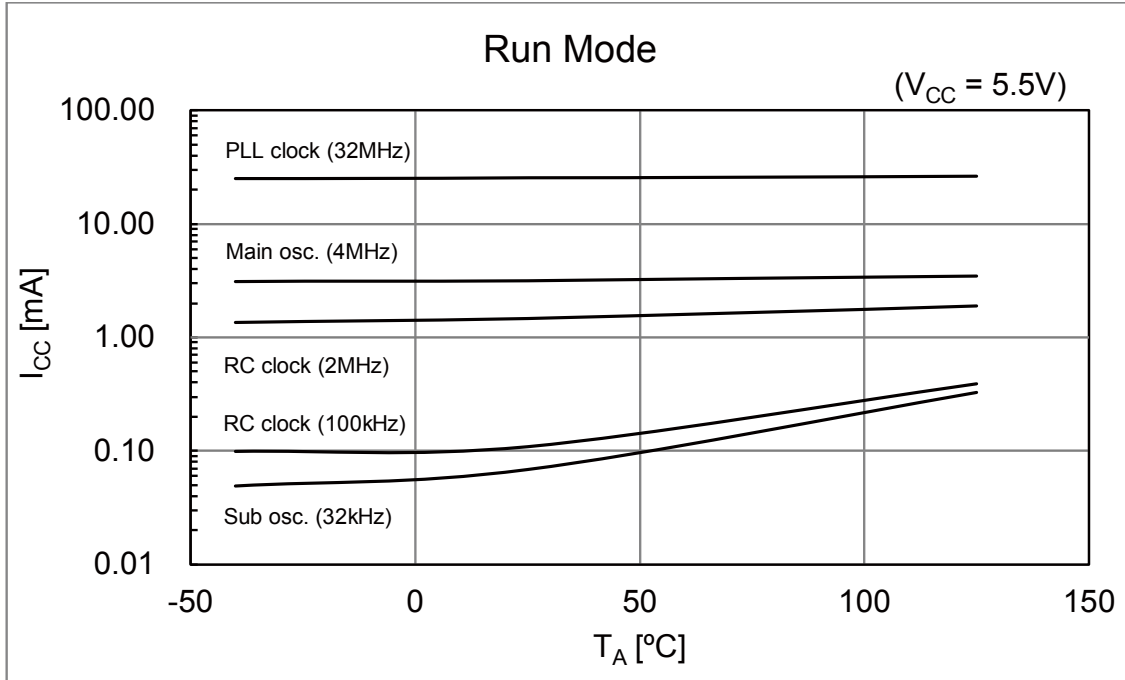
*1: See "7. Low Voltage Detection Function Characteristics".

*2: This value comes from the technology qualification (using Arrhenius equation to translate high temperature measurements into normalized value at $+85^{\circ}C$).

■ EXAMPLE CHARACTERISTICS

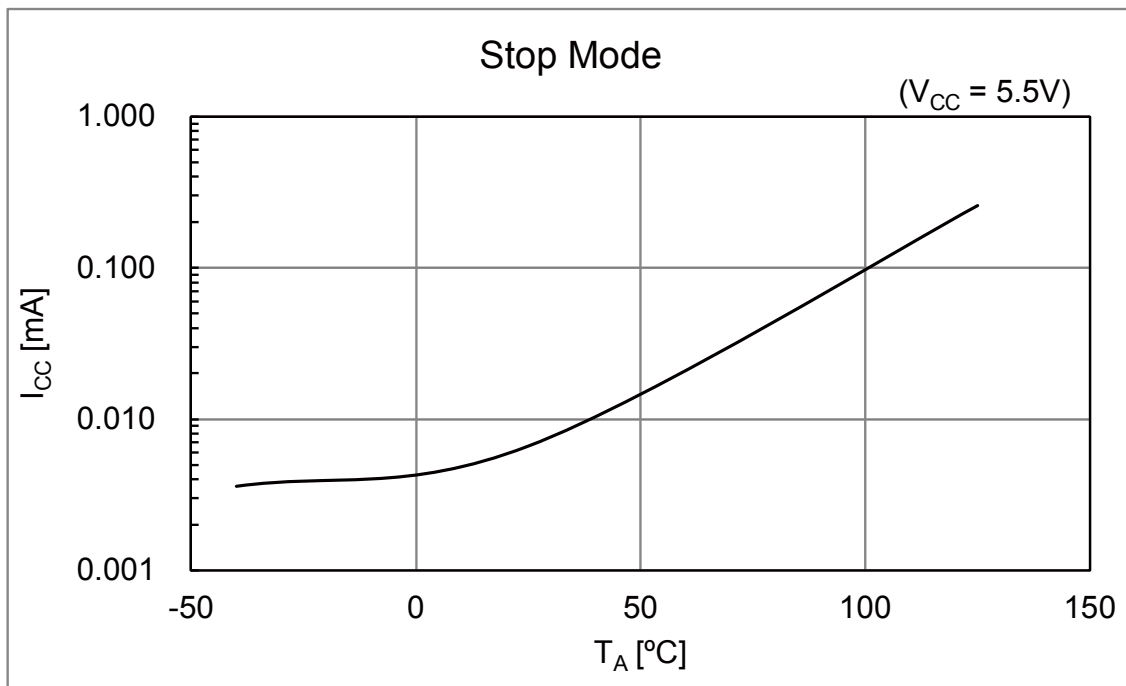
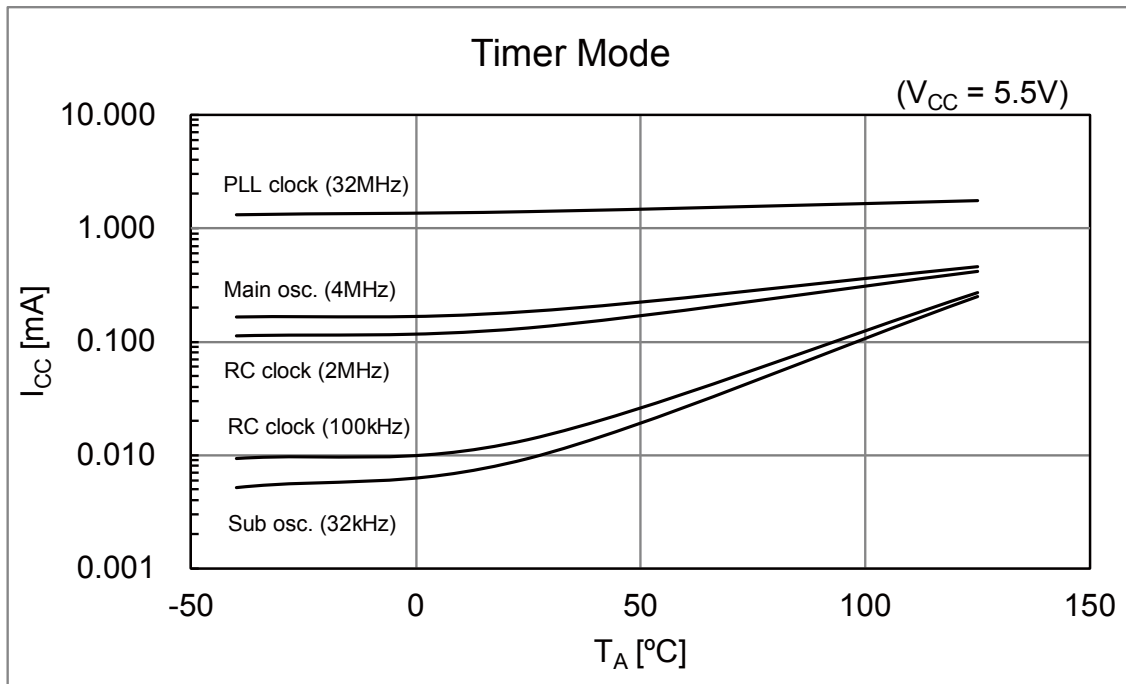
This characteristic is an actual value of the arbitrary sample. It is not the guaranteed value.

- MB96F6B6



MB966B0 Series

• MB96F6B6



• Used setting

Mode	Selected Source Clock	Clock/Regulator and FLASH Settings
Run mode	PLL	CLKS1 = CLKS2 = CLKB = CLKP1 = CLKP2 = 32MHz
	Main osc.	CLKS1 = CLKS2 = CLKB = CLKP1 = CLKP2 = 4MHz
	RC clock fast	CLKS1 = CLKS2 = CLKB = CLKP1 = CLKP2 = 2MHz
	RC clock slow	CLKS1 = CLKS2 = CLKB = CLKP1 = CLKP2 = 100kHz
	Sub osc.	CLKS1 = CLKS2 = CLKB = CLKP1 = CLKP2 = 32kHz
Sleep mode	PLL	CLKS1 = CLKS2 = CLKP1 = CLKP2 = 32MHz Regulator in High Power Mode, (CLKB is stopped in this mode)
	Main osc.	CLKS1 = CLKS2 = CLKP1 = CLKP2 = 4MHz Regulator in High Power Mode, (CLKB is stopped in this mode)
	RC clock fast	CLKS1 = CLKS2 = CLKP1 = CLKP2 = 2MHz Regulator in High Power Mode, (CLKB is stopped in this mode)
	RC clock slow	CLKS1 = CLKS2 = CLKP1 = CLKP2 = 100kHz Regulator in Low Power Mode, (CLKB is stopped in this mode)
	Sub osc.	CLKS1 = CLKS2 = CLKP1 = CLKP2 = 32kHz Regulator in Low Power Mode, (CLKB is stopped in this mode)
Timer mode	PLL	CLKMC = 4MHz, CLKPLL = 32MHz (System clocks are stopped in this mode) Regulator in High Power Mode, FLASH in Power-down / reset mode
	Main osc.	CLKMC = 4MHz (System clocks are stopped in this mode) Regulator in High Power Mode, FLASH in Power-down / reset mode
	RC clock fast	CLKMC = 2MHz (System clocks are stopped in this mode) Regulator in High Power Mode, FLASH in Power-down / reset mode
	RC clock slow	CLKMC = 100kHz (System clocks are stopped in this mode) Regulator in Low Power Mode, FLASH in Power-down / reset mode
	Sub osc.	CLKMC = 32 kHz (System clocks are stopped in this mode) Regulator in Low Power Mode, FLASH in Power-down / reset mode
Stop mode	stopped	(All clocks are stopped in this mode) Regulator in Low Power Mode, FLASH in Power-down / reset mode

MB966B0 Series

■ ORDERING INFORMATION

MCU with CAN controller

Part number	Flash memory	Package*
MB96F6B5RBPMC-GSE1	Flash A (160.5KB)	100-pin plastic LQFP (FPT-100P-M20)
MB96F6B5RBPMC-GSE2		
MB96F6B6RBPMC-GSE1	Flash A (288.5KB)	100-pin plastic LQFP (FPT-100P-M20)
MB96F6B6RBPMC-GSE2		

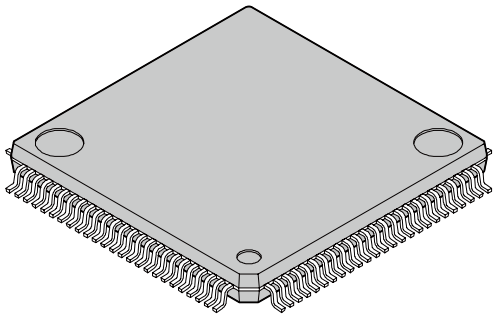
*: For details about package, see "■PACKAGE DIMENSION".

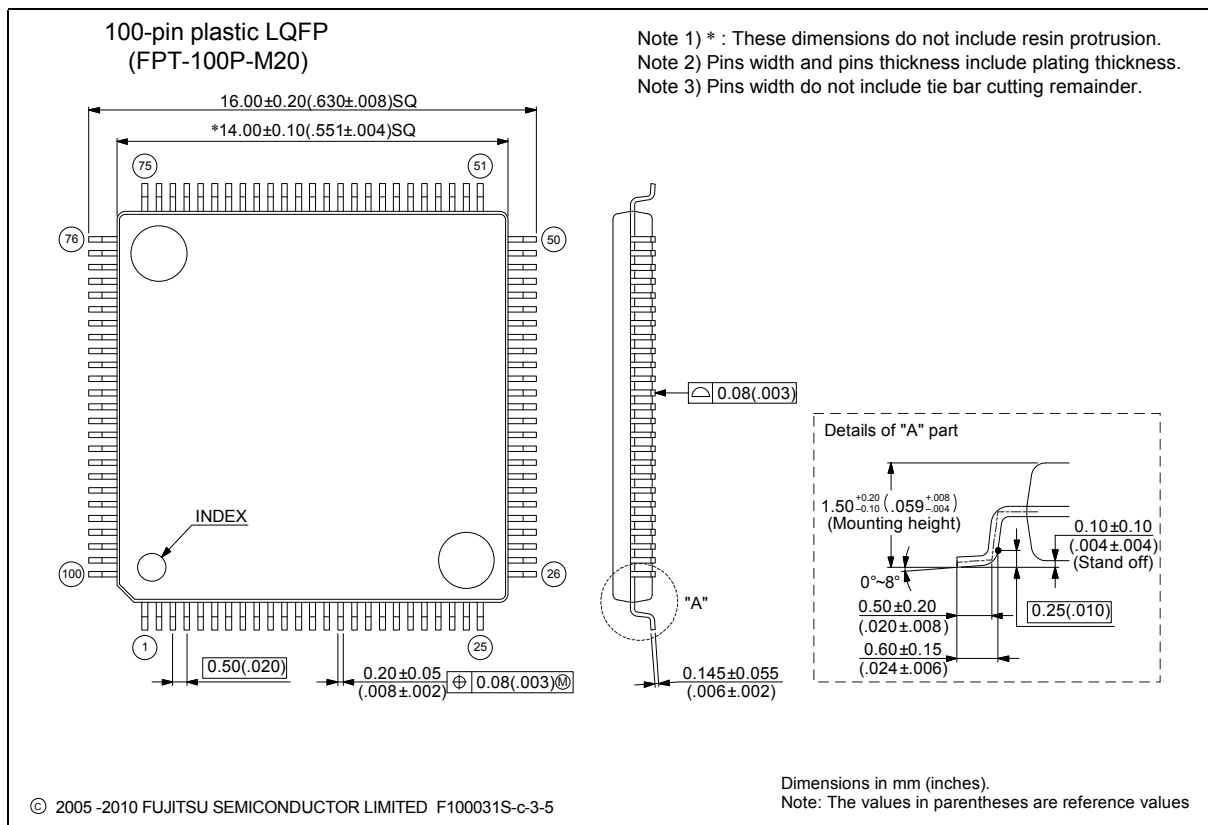
MCU without CAN controller

Part number	Flash memory	Package*
MB96F6B5ABPMC-GSE1	Flash A (160.5KB)	100-pin plastic LQFP (FPT-100P-M20)
MB96F6B5ABPMC-GSE2		

*: For details about package, see "■PACKAGE DIMENSION".

■ PACKAGE DIMENSION

<p>100-pin plastic LQFP</p>  <p>(FPT-100P-M20)</p>	Lead pitch	0.50 mm
	Package width × package length	14.0 mm × 14.0 mm
	Lead shape	Gullwing
	Sealing method	Plastic mold
	Mounting height	1.70 mm Max
	Weight	0.65 g
	Code (Reference)	P-LFQFP100-14×14-0.50



Please check the latest package dimension at the following URL.
<http://edevic.fujitsu.com/package/en-search/>

MB966B0 Series

■ MAJOR CHANGES IN THIS EDITION

A change on a page is indicated by a vertical line drawn on the left side of that page.

Page	Section	Change Results
-	-	PRELIMINARY → Data sheet
2	■FEATURES	Changed the description of “System clock” Up to 16 MHz external clock for devices with fast clock input feature → Up to 8 MHz external clock for devices with fast clock input feature
4		Changed the description of “LCD Controller” On-chip drivers for internal divider resistors or external divider resistors → Internal divider resistors or external divider resistors
		Added “Sound Generator”
		Changed the description of “External Interrupts” Interrupt mask and pending bit per channel → Interrupt mask bit per channel
5		Added the description of “I/O Ports” “Some pins offer high current output capability for LED driving.”
	Changed the description of “Built-in On Chip Debugger” - Event sequencer: 2 levels → - Event sequencer: 2 levels + reset	
6	■PRODUCT LINEUP	Added the Product
		Changed the Remark of RLT RLT 0/1/2/3/6 Only RLT6 can be used as PPG clock source → RLT 0 to 3/6
		Added the Feature of Sound Generator
8	■BLOCK DIAGRAM	Added the block of Sound Generator
		Deleted the block of RLT6 from PPG block
		Changed the RLT block 4ch → 0/1/2/3/6 5ch
9	■PIN ASSIGNMENT	Added the Pin Pin no.23, SGO1 Pin no.24, SGA1 Pin no.28, SGO1_R Pin no.29, SGA1_R Pin no.81, SGO0 Pin no.82, SGA0
10	■PIN DESCRIPTION	Changed the Description of PPGn_B Programmable Pulse Generator n output (8bit) → Programmable Pulse Generator n output (16bit/8bit)
		Added the Pin SGAn SGAn_R SGOn SGOn_R

Page	Section	Change Results
12	■PIN CIRCUIT TYPE	Added the Pin name Pin no.23, SGO1 Pin no.24, SGA1 Pin no.28, SGO1_R Pin no.29, SGA1_R
		Changed the I/O circuit type Pin no.30 to 34, 37 to 40 K → V
		Changed the I/O circuit type Pin no.41 to 43, 47, 49 K → V Pin no.46, 48 I → W
13		
14		Added the Pin name Pin no.81, SGO0 Pin no.82, SGA0
16	■I/O CIRCUIT TYPE	Changed the figure of type B
		Changed the Remarks of type B (CMOS hysteresis input with input shutdown function, $I_{OL} = 4\text{mA}$, $I_{OH} = -4\text{mA}$, Programmable pull-up resistor) → (CMOS level output ($I_{OL} = 4\text{mA}$, $I_{OH} = -4\text{mA}$), Automotive input with input shutdown function and programmable pull-up resistor)
		Changed the figure of type G
		Added the Type V
		Added the Type W
17		
20		
21		
22	■MEMORY MAP	Changed the START addresses of Boot-ROM 0F:E000 _H → 0F:C000 _H
24	■USER ROM MEMORY MAP FOR FLASH DEVICES	Changed the annotation Others (from DF:0200 _H to DF:1FFF _H) are all ROM Mirror area for SAS-512B. → Others (from DF:0200 _H to DF:1FFF _H) is mirror area of SAS-512B.
26	■INTERRUPT VECTOR TABLE	Changed the Description of CALLV0 to CALLV7 Reserved → CALLV instruction
		Changed the Description of RESET Reserved → Reset vector
		Changed the Description of INT9 Reserved → INT9 instruction
		Changed the Description of EXCEPTION Reserved → Undefined instruction execution

MB966B0 Series

Page	Section	Change Results
27	■INTERRUPT VECTOR TABLE	Changed the Vector name of Vector number 64 PPGRLT → RLT6
		Changed the Description of Vector number 64 Reload Timer 6 can be used as PPG clock source → Reload Timer 6
		Added Vector name to Vector number 95 SG0
28		Added Vector name to Vector number 121 SG1
29		
30 to 33	■HANDLING PRECAUTIONS	Added a section
35	■HANDLING DEVICES	Added the description to “3. External clock usage” (3) Opposite phase external clock
		Changed the description in “7. Turn on sequence of power supply to A/D converter and analog inputs” In this case, the voltage must not exceed AVR _H or AV _{CC} (turning the analog and digital power supplies simultaneously on or off is acceptable). → In this case, AVR _H must not exceed AV _{CC} . Input voltage for ports shared with analog input ports also must not exceed AV _{CC} (turning the analog and digital power supplies simultaneously on or off is acceptable).
		Added the description “12. Mode Pin (MD)”
36		
37	■ELECTRICAL CHARACTERISTICS 1. Absolute Maximum Ratings	Added Symbols of High current port
		Changed the annotation *3 Input/Output voltages of standard ports depend on V _{CC} . → Input/Output voltages of general I/O ports depend on V _{CC} .
38		Changed the annotation *4 Note that if the +B input is applied during power-on, the power supply is provided from the pins and the resulting supply voltage may not be sufficient to operate the Power reset (except devices with persistent low voltage reset in internal vector mode). → Note that if the +B input is applied during power-on, the power supply is provided from the pins and the resulting supply voltage may not be sufficient to operate the Power reset.
		Added the annotation *4 The DEBUG I/F pin has only a protective diode against V _{SS} . Hence it is only permitted to input a negative clamping current (4mA). For protection against positive input voltages, use an external clamping diode which limits the input voltage to maximum 6.0V.

Page	Section	Change Results
39	2. Recommended Operating Conditions	Added the Value and Remarks to “Power supply voltage” Min: 2.0V Typ: - Max: 5.5V Remarks: Maintains RAM data in stop mode
		Changed the Value of “Smoothing capacitor at C pin” Typ: 1.0μF → 1.0μF to 3.9μF Max: 1.5μF → 4.7μF
		Changed the Remarks of “Smoothing capacitor at C pin” Deleted “(Target value)” Added “3.9μF (Allowance within ± 20%)”
40	3. DC Characteristics (1) Current Rating	Deleted “(Target value)” from Remarks
		Added the Symbol to “Power supply current in Run modes” I _{CCRCH} , I _{CCRCL}
		Changed the Conditions of I _{CCPLL} , I _{CCMAIN} , I _{CCSUB} in “Power supply current in Run modes” “Flash 0 wait” is added
		Changed the Value of “Power supply current in Run modes” I _{CCPLL} TYP:28.5mA → 28mA (T _A = +25°C) I _{CCMAIN} TYP:5mA → 3.5mA (T _A = +25°C) Max: 10mA → 8mA (T _A = +105°C) Max: 11.5mA → 9.5mA (T _A = +125°C) I _{CCSUB} TYP:0.5mA → 0.1mA (T _A = +25°C) Max: 6mA → 3.3mA (T _A = +105°C) Max: 7.5mA → 4.8mA (T _A = +125°C)
41	3. DC Characteristics (1) Current Rating	Added the Symbol to “Power supply current in Sleep modes” I _{CCSRCH} , I _{CCSRCL}
		Changed the Conditions of I _{CCSMAIN} in “Power supply current in Sleep modes” “SMCR:LPMSS=0” is added
		Changed the Value of “Power supply current in Sleep modes” I _{CCSPLL} Typ: 10mA → 9.5mA (T _A = +25°C) I _{CCSMAIN} Typ: 3mA → 1.1mA (T _A = +25°C) Max: 8mA → 4.7mA (T _A = +105°C) Max: 9.5mA → 6.2mA (T _A = +125°C) I _{CCSSUB} Typ: 0.3mA → 0.04mA (T _A = +25°C) Max: 4.5mA → 2.7mA (T _A = +105°C) Max: 6mA → 4.2mA (T _A = +125°C)
42	3. DC Characteristics (1) Current Rating	Added the Symbol to “Power supply current in Timer modes” I _{CCTPLL} Changed the Conditions of I _{CCTMAIN} , I _{CCTRCH} in “Power supply current in Timer modes” “SMCR:LPMSS=0” is added

MB966B0 Series

Page	Section	Change Results
42	3. DC Characteristics (1) Current Rating	<p>Changed the Value of “Power supply current in Timer modes”</p> <p>$I_{CCTMAIN}$ Max: 335μA → 330μA ($T_A = +25^\circ$C) Max: 1320μA → 1200μA ($T_A = +105^\circ$C) Max: 2300μA → 2155μA ($T_A = +125^\circ$C)</p> <p>I_{CCTRCH} Max: 245μA → 215μA ($T_A = +25^\circ$C) Max: 1230μA → 1110μA ($T_A = +105^\circ$C) Max: 2205μA → 2065μA ($T_A = +125^\circ$C)</p> <p>I_{CCTRCL} Max: 105μA → 75μA ($T_A = +25^\circ$C) Max: 1030μA → 910μA ($T_A = +105^\circ$C) Max: 2005μA → 1870μA ($T_A = +125^\circ$C)</p> <p>I_{CCTSUB} Max: 90μA → 65μA ($T_A = +25^\circ$C) Max: 1000μA → 885μA ($T_A = +105^\circ$C) Max: 1980μA → 1845μA ($T_A = +125^\circ$C)</p>
43		<p>Changed the Value of “Power supply current in Stop mode”</p> <p>I_{CCH} Max: 90μA → 60μA ($T_A = +25^\circ$C) Max: 1000μA → 880μA ($T_A = +105^\circ$C) Max: 1980μA → 1840μA ($T_A = +125^\circ$C)</p> <p>Added the Symbol</p> <p>$I_{CCFLASHPD}$</p> <p>Changed the Value and condition of “Power supply current for active Low Voltage detector”</p> <p>I_{CCLVD} Typ: 5μA, Max: 15μA, Remarks: nothing → Typ: 5μA, Max: -, Remarks: $T_A = +25^\circ$C Typ: -, Max: 12.5μA, Remarks: $T_A = +125^\circ$C</p> <p>Changed the condition of “Flash Write/Erase current”</p> <p>$I_{CCFLASH}$ Typ: 12.5mA, Max: 20mA, Remarks: nothing → Typ: 12.5mA, Max: -, Remarks: $T_A = +25^\circ$C Typ: -, Max: 20mA, Remarks: $T_A = +125^\circ$C</p> <p>Changed the annotation *2 The power supply current is measured with a 4MHz external clock connected to the Main oscillator and a 32kHz external clock connected to the Sub oscillator. → When Flash is not in Power-down / reset mode, $I_{CCFLASHPD}$ must be added to the Power supply current. The power supply current is measured with a 4MHz external clock connected to the Main oscillator and a 32kHz external clock connected to the Sub oscillator. The current for "On Chip Debugger" part is not included.</p>
44	3. DC Characteristics (2) Pin Characteristics	<p>Added the Symbol for High Drive type</p> <p>V_{OH20}, V_{OL20}</p> <p>Added the Symbol for DEBUG I/F pin</p> <p>V_{OLD}</p>

Page	Section	Change Results
45	3. DC Characteristics (2) Pin Characteristics	Changed the Pin name of “Input capacitance” Other than Vcc, Vss, AVcc, AVss, AVRH, AVRL, P08_m, P09_m, P10_m → Other than C, Vcc, Vss, AVcc, AVss, AVRH, AVRL, P08_m, P09_m, P10_m
		Deleted the annotation “I _{OH} and I _{OL} are target value.”
		Added the annotation “In the case of high current outputs, set “1” to the bit in the Port High Drive Register.”
46	4. AC Characteristics (1) Main Clock Input Characteristics	Changed MAX frequency for f _{FCI} in all conditions 16 → 8 Changed MIN frequency for t _{CY_{LH}} 62.5 → 125 Changed MIN, MAX and Unit for P _{WH} , P _{WL} MIN: 30 → 55 MAX: 70 → - Unit: % → ns
		Added the figure (t _{CY_{LH}}) when using the external clock
47	4. AC Characteristics (2) Sub Clock Input Characteristics	Added the figure (t _{CY_{LL}}) when using the crystal oscillator clock
48	4. AC Characteristics (3) Built-in RC Oscillation Characteristics	Added “RC clock stabilization time”
49	4. AC Characteristics (5) Operating Conditions of PLL	Changed the Value of “PLL input clock frequency” Max: 16MHz → 8MHz
		Changed the Symbol of “PLL oscillation clock frequency” f _{PLLO} → f _{CLKVCO}
		Added Remarks to “PLL oscillation clock frequency”
	Added “ PLL phase jitter” and the figure	
	4. AC Characteristics (6) Reset Input	Added the figure for reset input time (t _{RSTL})

MB966B0 Series

Page	Section	Change Results
51	4. AC Characteristics (8) USART Timing	Changed the condition ($V_{CC} = AV_{CC} = 2.7V$ to $5.5V$, $V_{SS} = AV_{SS} = 0V$, $T_A = -40^{\circ}C$ to $+125^{\circ}C$) → ($V_{CC} = AV_{CC} = 2.7V$ to $5.5V$, $V_{SS} = AV_{SS} = 0V$, $T_A = -40^{\circ}C$ to $+125^{\circ}C$, $C_L=50pF$)
		Changed the HARDWARE MANUAL “MB966B0 series HARDWARE MANUAL” → “MB96600 series HARDWARE MANUAL”
52		Changed the figure for “Internal shift clock mode”
54	4. AC Characteristics (10) I ² C timing	Added parameter, “Noise filter” and an annotation *5 for it
		Added t_{SP} to the figure
55	5. A/D Converter (1) Electrical Characteristics for the A/D Converter	Added “Analog impedance”
		Added “Variation between channels”
		Added the annotation
56	5. A/D Converter (2) Accuracy and Setting of the A/D Converter Sampling Time	Deleted the unit “[Min]” from approximation formula of Sampling time
57	5. A/D Converter (3) Definition of A/D Converter Terms	Changed the Description and the figure “Linearity” → “Nonlinearity” “Differential linearity error” → “Differential nonlinearity error”
		Changed the Description Linearity error: Deviation of the line between the zero-transition point (0b0000000000 ←→ 0b0000000001) and the full-scale transition point (0b1111111110 ←→ 0b1111111111) from the actual conversion characteristics. → Nonlinearity error: Deviation of the actual conversion characteristics from a straight line that connects the zero transition point (0b0000000000 ←→ 0b0000000001) to the full-scale transition point (0b1111111110 ←→ 0b1111111111).
		Added the Description “Zero transition voltage” “Full scale transition voltage”
59	6. High Current Output Slew Rate	Added the item of “6. High Current Output Slew Rate”
60	7. Low Voltage Detection Function Characteristics	Added the Value of “ Power supply voltage change rate” Max: +0.004 V/μs
		Added “Hysteresis width” (V_{HYS})
		Added “Stabilization time” ($T_{LVDSTAB}$)
		Added “Detection delay time” (t_d)
		Deleted the Remarks
61		Added the annotation *1, *2
		Added the figure for “Hysteresis width” Added the figure for “Stabilization time”

Page	Section	Change Results
62	8. Flash Memory Write/Erase Characteristics	Changed the Value of “Sector erase time”
		Added “Security Sector” to “Sector erase time”
		Changed the Parameter “Half word (16 bit) write time” → “Word (16-bit) write time”
		Changed the Value of “Chip erase time”
		Changed the Remarks of “Sector erase time” Excludes write time prior to internal erase → Includes write time prior to internal erase
		Added the Note and annotation *1
		Deleted “(targeted value)” from title “ Write/Erase cycles and data hold time”
63 to 65	<ul style="list-style-type: none"> ■EXAMPLE CHARACTERISTICS 	Added a section
66	<ul style="list-style-type: none"> ■ORDERING INFORMATION 	Changed part number <ul style="list-style-type: none"> • MCU with CAN controller MB96F6B6RAPMC-GSE1* → MB96F6B6RBPMC-GSE1 MB96F6B6RAPMC-GSE2* → MB96F6B6RBPMC-GSE2
		Added part number <ul style="list-style-type: none"> • MCU with CAN controller MB96F6B5RBPMC-GSE1 MB96F6B5RBPMC-GSE2 • MCU without CAN controller MB96F6B5ABPMC-GSE1 MB96F6B5ABPMC-GSE2

MB966B0 Series

FUJITSU SEMICONDUCTOR LIMITED

Nomura Fudosan Shin-yokohama Bldg. 10-23, Shin-yokohama 2-Chome,
Kohoku-ku Yokohama Kanagawa 222-0033, Japan

Tel: +81-45-415-5858

<http://jp.fujitsu.com/fsl/en/>

For further information please contact:

North and South America

FUJITSU SEMICONDUCTOR AMERICA, INC.
1250 E. Arques Avenue, M/S 333
Sunnyvale, CA 94085-5401, U.S.A.
Tel: +1-408-737-5600 Fax: +1-408-737-5999
<http://us.fujitsu.com/micro/>

Asia Pacific

FUJITSU SEMICONDUCTOR ASIA PTE. LTD.
151 Lorong Chuan,
#05-08 New Tech Park 556741 Singapore
Tel : +65-6281-0770 Fax : +65-6281-0220
<http://sg.fujitsu.com/semiconductor/>

Europe

FUJITSU SEMICONDUCTOR EUROPE GmbH
Pittlerstrasse 47, 63225 Langen, Germany
Tel: +49-6103-690-0 Fax: +49-6103-690-122
<http://emea.fujitsu.com/semiconductor/>

FUJITSU SEMICONDUCTOR SHANGHAI CO., LTD.

30F, Kerry Parkside, 1155 Fang Dian Road,
Pudong District, Shanghai 201204, China
Tel : +86-21-6146-3688 Fax : +86-21-6146-3660
<http://cn.fujitsu.com/fss/>

Korea

FUJITSU SEMICONDUCTOR KOREA LTD.
902 Kosmo Tower Building, 1002 Daechi-Dong,
Gangnam-Gu, Seoul 135-280, Republic of Korea
Tel: +82-2-3484-7100 Fax: +82-2-3484-7111
<http://kr.fujitsu.com/fsk/>

FUJITSU SEMICONDUCTOR PACIFIC ASIA LTD.

2/F, Green 18 Building, Hong Kong Science Park,
Shatin, N.T., Hong Kong
Tel : +852-2736-3232 Fax : +852-2314-4207
<http://cn.fujitsu.com/fsp/>

Specifications are subject to change without notice. For further information please contact each office.

All Rights Reserved.

The contents of this document are subject to change without notice.

Customers are advised to consult with sales representatives before ordering.

The information, such as descriptions of function and application circuit examples, in this document are presented solely for the purpose of reference to show examples of operations and uses of FUJITSU SEMICONDUCTOR device; FUJITSU SEMICONDUCTOR does not warrant proper operation of the device with respect to use based on such information. When you develop equipment incorporating the device based on such information, you must assume any responsibility arising out of such use of the information.

FUJITSU SEMICONDUCTOR assumes no liability for any damages whatsoever arising out of the use of the information.

Any information in this document, including descriptions of function and schematic diagrams, shall not be construed as license of the use or exercise of any intellectual property right, such as patent right or copyright, or any other right of FUJITSU SEMICONDUCTOR or any third party or does FUJITSU SEMICONDUCTOR warrant non-infringement of any third-party's intellectual property right or other right by using such information. FUJITSU SEMICONDUCTOR assumes no liability for any infringement of the intellectual property rights or other rights of third parties which would result from the use of information contained herein.

The products described in this document are designed, developed and manufactured as contemplated for general use, including without limitation, ordinary industrial use, general office use, personal use, and household use, but are not designed, developed and manufactured as contemplated (1) for use accompanying fatal risks or dangers that, unless extremely high safety is secured, could have a serious effect to the public, and could lead directly to death, personal injury, severe physical damage or other loss (i.e., nuclear reaction control in nuclear facility, aircraft flight control, air traffic control, mass transport control, medical life support system, missile launch control in weapon system), or (2) for use requiring extremely high reliability (i.e., submersible repeater and artificial satellite).

Please note that FUJITSU SEMICONDUCTOR will not be liable against you and/or any third party for any claims or damages arising in connection with above-mentioned uses of the products.

Any semiconductor devices have an inherent chance of failure. You must protect against injury, damage or loss from such failures by incorporating safety design measures into your facility and equipment such as redundancy, fire protection, and prevention of over-current levels and other abnormal operating conditions.

Exportation/release of any products described in this document may require necessary procedures in accordance with the regulations of the Foreign Exchange and Foreign Trade Control Law of Japan and/or US export control laws.

The company names and brand names herein are the trademarks or registered trademarks of their respective owners.