

## Product Change Notice

**Issue Date: 13 March 2008**

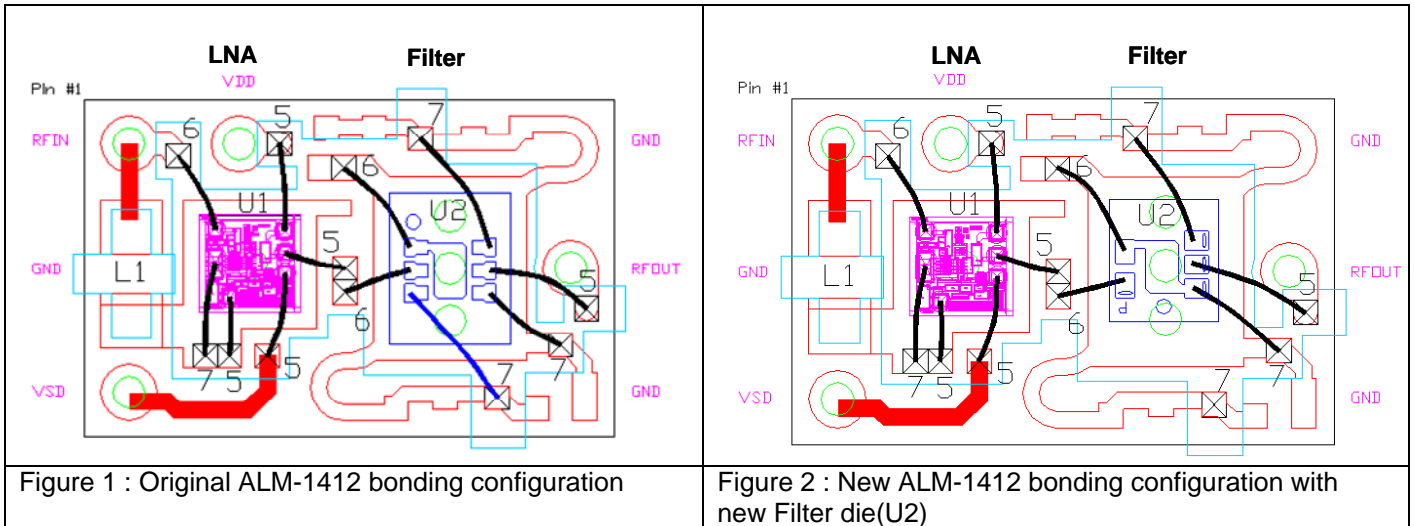
**Change Type:**

Die change : New GPS Filter Die  
Assemble : New Wire bonding configuration for GPS Filter Die

**Parts Affected:**

ALM-1412

**Description and Extent of Change:**



The new ALM-1412 have new GPS filter die (U2) with new bonding configuration as shown in Figure 2.

**Reasons for Change:**

Improve productivity.

**Effect of Change on Fit, Form, Function, Quality, or Reliability:**

The new ALM-1412 has the new GPS filter die & new bonding configuration as shown above. The product characteristic has been tested and confirmed to be meeting the guarantee electrical test parametric specification. The footprint will remain the same for the new ALM-1412. There is no change to the external form, fit, function, quality or reliability in the final product.

Appropriate qualifications are being performed to ensure continued high quality and performance.

**Effective Date of Change:**

The approximate dates for sample availability, qualification completion and effective date of change are shown in table 3 below:

---

These changes have been reviewed and approved by Avago Technologies engineers and managers per Avago Technologies procedure: Change Control and Customer Notification, A-5962-6052-80.

Please contact your Avago Technologies field sales engineer or Contact Center (<http://www.avagotech.com/contact/>) for any questions or support requirements. Please return any response as soon as possible, but not to exceed 30 days.

Table 3:

Sample availability	End March 08
Reliability Qualification Completion	End March 08
Target Date of Change	Mid June 2008

Mixed shipments are expected after the effective date of change. Timing of the shipments of the changed parts will vary depending on customer demand and inventory levels.

**Qualification data:**

The electrical characterization and the preliminary reliability qualification are available now upon request.

---

These changes have been reviewed and approved by Avago Technologies engineers and managers per Avago Technologies procedure: Change Control and Customer Notification, A-5962-6052-80.

Please contact your Avago Technologies field sales engineer or Contact Center (<http://www.avagotech.com/contact/>) for any questions or support requirements. Please return any response as soon as possible, but not to exceed 30 days.

## ***Appendix***

### **Parts Affected:**

**ALM-1412-BLKG**

**ALM-1412-TR1G**

**ALM-1412-SG1G**

**ALM-1412-SG2G**

---

These changes have been reviewed and approved by Avago Technologies engineers and managers per Avago Technologies procedure: Change Control and Customer Notification, A-5962-6052-80.

Please contact your Avago Technologies field sales engineer or Contact Center (<http://www.avagotech.com/contact/>) for any questions or support requirements. Please return any response as soon as possible, but not to exceed 30 days.