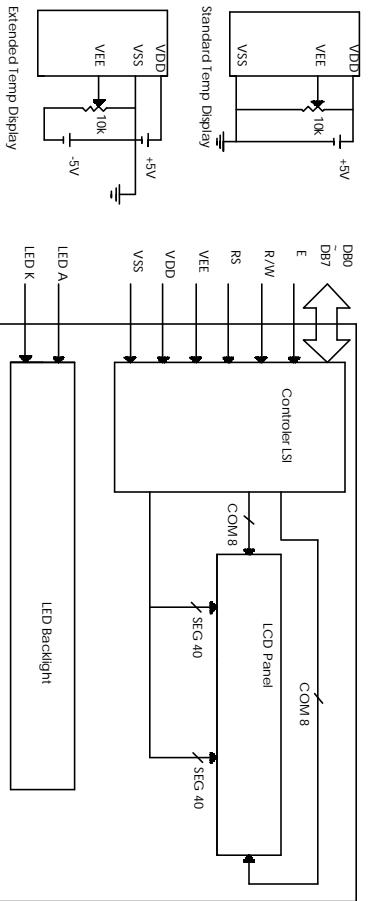


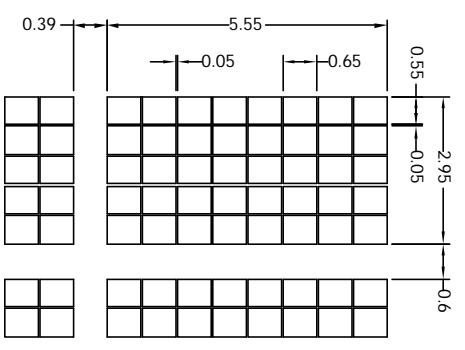
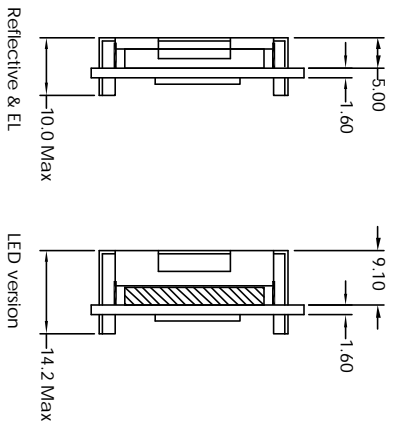
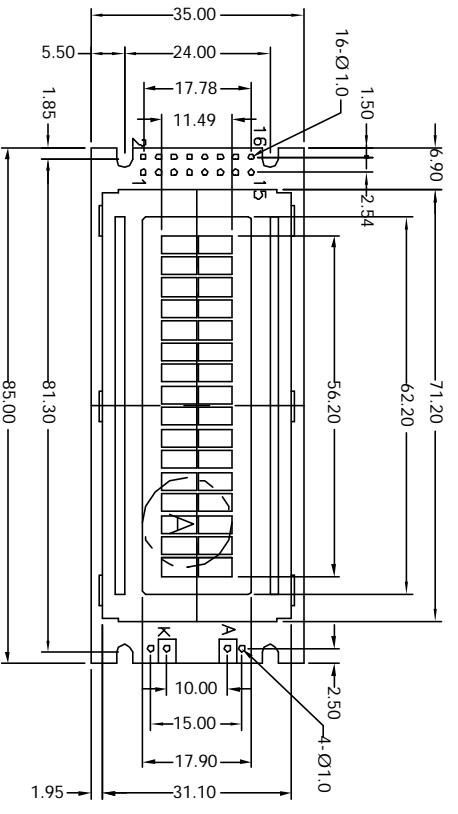
Block Diagram



REVISIONS				
ZONE	REV	DESCRIPTION	DATE	APPROVED
	1	New Release	7/19/01	KK

Pin	Symbol	Signal Description
1	VDD	Power Supply (5V)
2	VSS	Logic Ground (0V)
3	VEE	LCD Drive Voltage
4	RS	Register Select High = Data Low = Instruction
5	R/W	Signal Description High = LCM to MPU Low = MPU to LCM
6	E	Signal Description R/W = Low/Data read at falling edge of E R/W = High: Data can be read when E is high
7-14	DB0-DB7	Data Bus
15	LED A	LED power supply
16	LED K	LED power supply




A BLOCK

Mechanical Data

Parameter	Dimensions	Units
Module Size (W x H x T)	85.0 x 35.0 x 10.0*	mm
View Area	62.2 x 17.9	mm
Character Size	5.55 x 2.95	mm
Dot Size	0.65 x 0.55	mm

\* reflective version



**DATA INTERNATIONAL**  
 15000 Highway 70, Suite 200  
 Channahon, IL 61317  
 Phone: 407-380-2342  
 Fax: 407-380-0778

DV-16235		16 characters x 2 line LCM	
SIZE	FSCM NO.	DMC NO.	REV
SCALE	DATE	SHEET	1