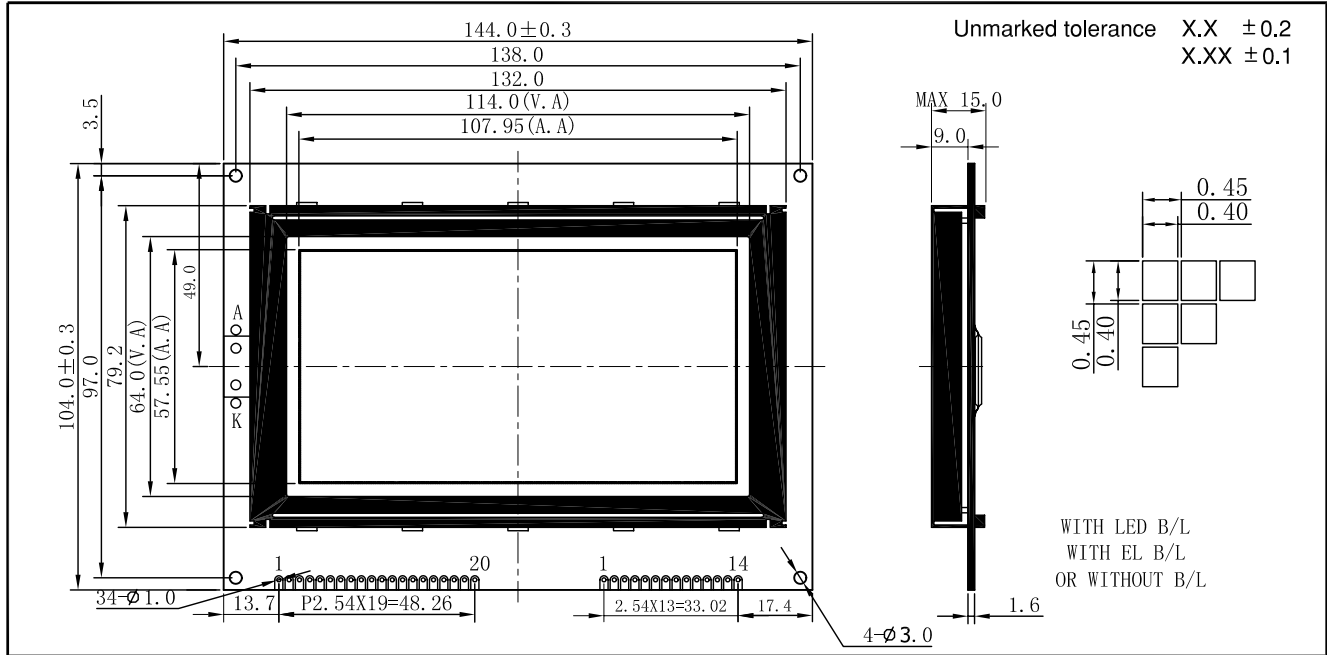


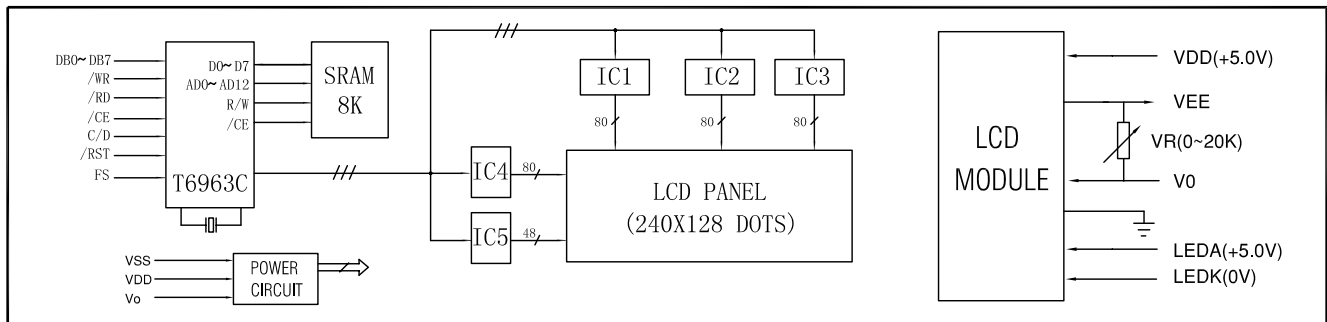
# AV-DISPLAY **ABG240128M Series**

240x128 DOTS  
1/128 DUTY, 1/12 BIAS

## OUTLINE DIMENSIONS



## BLOCK DIAGRAM & POWER SUPPLY



## MECHANICAL SPECIFICATIONS & FEATURE

Item	Normal Dimensions(mm)	FEATURE	
Module Size (W*H*T)	144.0x104.0x15.0	LCD Type	STN、FSTN
View Area (W*H)	114.0x64.0	LCD Colour	STN:Yellow-Green、Gray FSTN:Gray
DotsxDots (W*H)	240x128	View Angle	6 O'clock、12 O'clock
Dot Pitch (W*H)	0.45x0.45	Display Type	Positive Type、Negative Type
Dot Size (W*H)	0.40x0.40	Rear polarizer	Transmissive、Reflective、Transflective
---	---	Operating Temperature	0°C ~ 50°C、-20°C ~ 70°C
---	---	Backlight	LED:YELLOW

## ELECTRICAL CHARACTERISTICS

Item	Symbol	Test Condition	Min.	Typ.	Max.	Unit
Operating Voltage	Vdd	Ta=25°C	---	5.0	---	V
Operating Voltage for LCD	Vlcd	Ta=25°C	---	14.5	---	V
Supply Current	Idd	Ta=25°C, Vdd=5.0V	---	15.0	20.0	mA
Supply Current for Backlight(LED)	If	Ta=25°C, Vf=4.2V	---	220	---	mA

## INTERFACE PIN CONNECTIONS

Pin No	Symbol	Level	Description	Pin No	Symbol	Level	Description
1	VSS	--	Ground for logic	1'	FRM	H	Synchronous frame signal
2	VDD	--	Power supply for logic	2'	CL2	H→L	Data shift clock
3	V0	--	Supply power for LCD drive	3'	CL1	H→L	Data latch clock
4	C/D	H/L	Data or Instruction select signal	4'	M	H/L	Alternated signal for LCD driver
5	/RD	--	Read signal	5'	VDD	--	Supply power for the logic
6	/WR	--	Write signal	6'	VSS	--	Ground for logic
7-14	DB0-DB7	H/L	Data bus lines	7'	VEE	--	Negative Voltage Output
15	/CE	L	Chip enable signal	8'-11'	DB0-DB3	H/L	Data Bus lines
16	/RST	L	Reset signal	12'	V0	--	Supply power for LCD drive
17	VEE	--	Negative Voltage Output	13'	LEDA	--	Power supply for backlight(+)
18	FS	H/L	Font selection terminal	14'	LEDK	--	Power supply for backlight(-)
19	LEDA	--	Power supply for backlight(+)	--	--	--	--
20	LEDK	--	Power supply for backlight(-)	--	--	--	--

## REMARK

Old No:HY-240128M Series