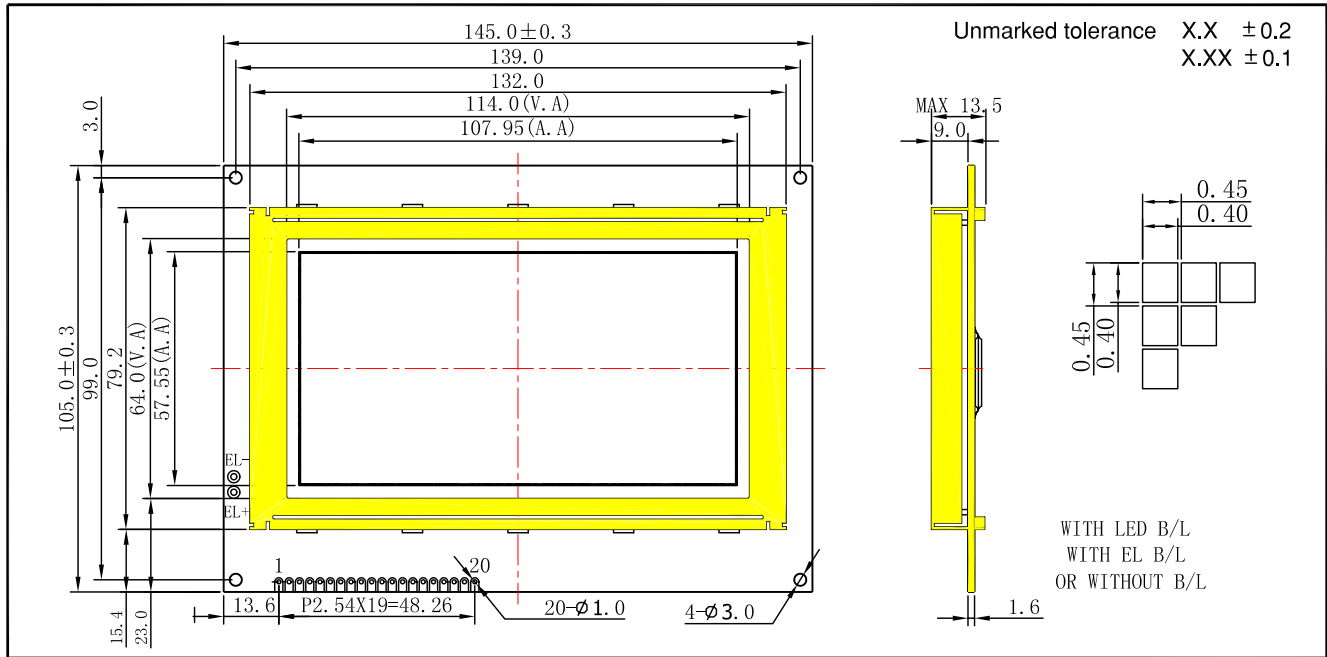
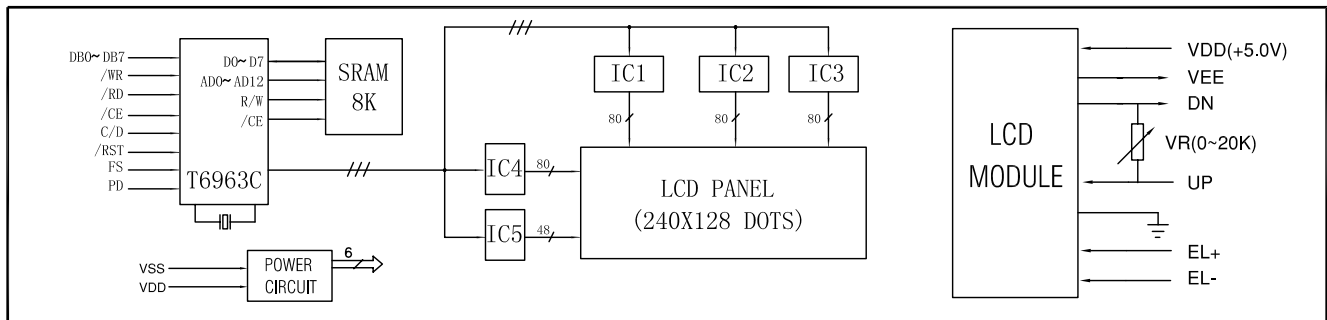


OUTLINE DIMENSIONS



BLOCK DIAGRAM & POWER SUPPLY



MECHANICAL SPECIFICATIONS & FEATURE

Item	Normal Dimensions(mm)	FEATURE	
Module Size (W*H*T)	145.0x105.0x13.5	LCD Type	STN、FSTN
View Area (W*H)	114.0x64.0	LCD Colour	STN:Yellow-Green、Gray FSTN:Gray
DotsxDots (W*H)	240x128	View Angle	6 O'clock、12 O'clock
Dot Pitch (W*H)	0.45x0.45	Display Type	Positive Type、Negative Type
Dot Size (W*H)	0.40x0.40	Rear polarizer	Transmissive、Reflective、Transflective
---	---	Operating Temperature	0°C ~ 50°C、-20°C ~ 70°C
---	---	Backlight	LED:YELLOW EL:Green、Blue CCFL:White Without

ELECTRICAL CHARACTERISTICS

Item	Symbol	Test Condition	Min.	Typ.	Max.	Unit
Operating Voltage	Vdd	Ta=25°C	---	5.0	---	V
Operating Voltage for LCD	Vlcd	Ta=25°C	---	20.0	---	V
Supply Current	Idd	Ta=25°C, Vdd=5.0V	---	20.0	25.0	mA
Supply Current for Backlight(EL)	If	Ta=25°C, Vf=5.0V	---	30	---	mA

INTERFACE PIN CONNECTIONS

Pin No	Symbol	Level	Description
1	UP	--	Voltage level for LCD contrast adjustment up
2	DN	--	Voltage level for LCD contrast adjustment down
3	PD	H	Chip enable signal H:Normal, L:Stop the oscillation of the clock
4	VSS	--	Ground for Logic
5	VDD	--	Power supply for Logic(+5.0V)
6	VEE	--	Negative voltage output
7	/WR	L	Write signal
8	/RD	L	Read signal
9	/CE	L	Chip enable signal
10	C/D	H/L	Data or instruction select signal (H:data register, L:instruction register)
11	/RST	L	Reset signal
12-19	DB0-DB7	H/L	Data Bus lines
20	FS	H/L	Font selection

REMARK

Old No:HY-240128F Series