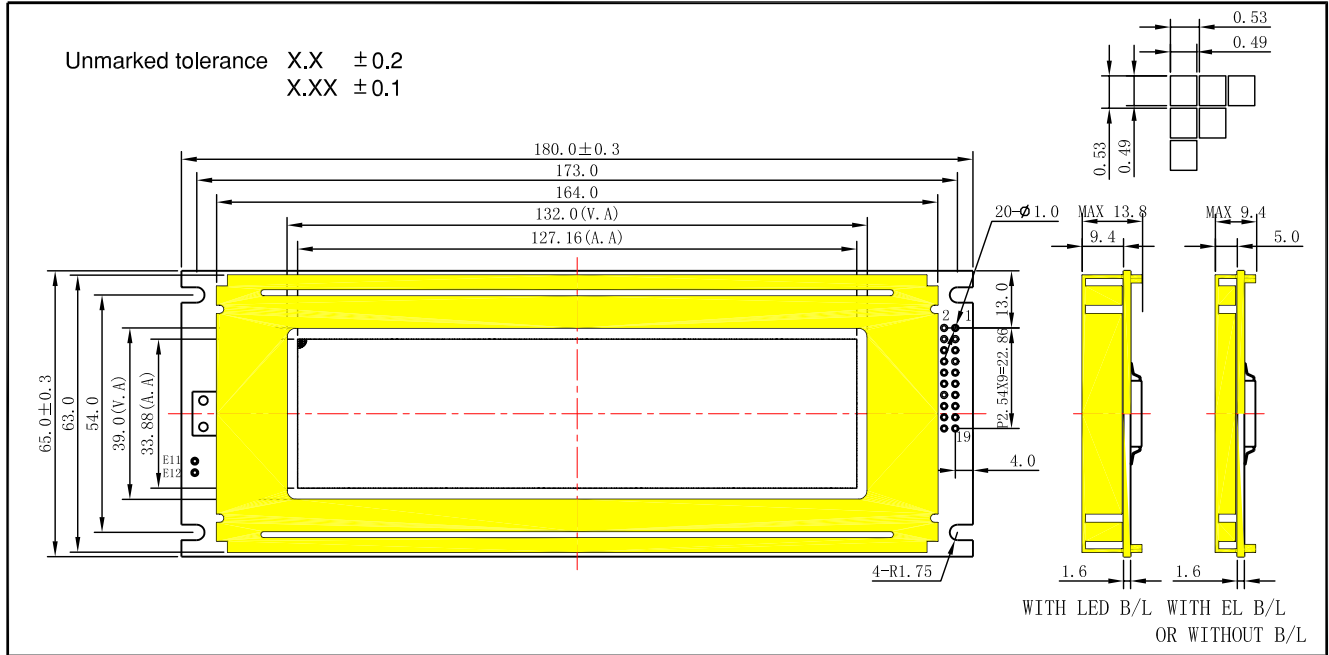
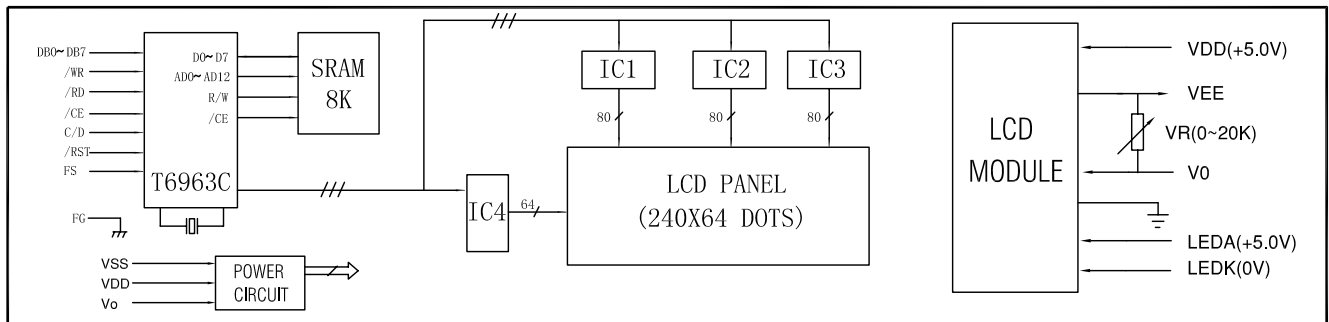


OUTLINE DIMENSIONS



BLOCK DIAGRAM & POWER SUPPLY



MECHANICAL SPECIFICATIONS & FEATURE

Item	Normal Dimensions(mm)	FEATURE	
Module Size (W*H*T)	180.0x65.0x9.4/13.8	LCD Type	STN、FSTN
View Area (W*H)	132.0x39.0	LCD Colour	STN:Yellow-Green、Gray FSTN:Gray
DotsxDots (W*H)	240x64	View Angle	6 O'clock、12 O'clock
Dot Pitch (W*H)	0.53x0.53	Display Type	Positive Type、Negative Type
Dot Size (W*H)	0.49x0.49	Rear polarizer	Transmissive、Reflective、Transflective
---	---	Operating Temperature	0°C ~ 50°C、-20°C ~ 70°C
---	---	Backlight	LED:Yellow EL:Green、Blue Without

ELECTRICAL CHARACTERISTICS

Item	Symbol	Test Condition	Min.	Typ.	Max.	Unit
Operating Voltage	Vdd	Ta=25°C	---	5.0	---	V
Operating Voltage for LCD	Vlcd	Ta=25°C	---	12.0	---	V
Supply Current	Idd	Ta=25°C, Vdd=5.0V	---	9.0	15.0	mA
Supply Current for Backlight(LED)	If	Ta=25°C, Vf=4.2V	---	100	---	mA

INTERFACE PIN CONNECTIONS

Pin No	Symbol	Level	Description
1	FG	--	Frame Ground
2	VSS	--	Ground for Logic
3	VDD	--	Power supply for Logic
4	Vo	--	Power supply for LCD drive
5	/WR	L	Write signal
6	/RD	L	Read signal
7	/CE	L	Chip enable signal
8	C/D	H/L	Register select signal (H:data register, L:instruction register)
9	NC	--	No connection
10	/RST	L	Reset signal
11-18	DB0-DB7	H/L	Data Bus lines
19	FS	H/L	Font selection
20	VEE	--	Negative voltage output
EL1	LEDA	--	Backlight supply voltage(+5.0V)
EL2	LEDK	--	Backlight supply voltage(0V)

REMARK

Old No:HY-24064A Series