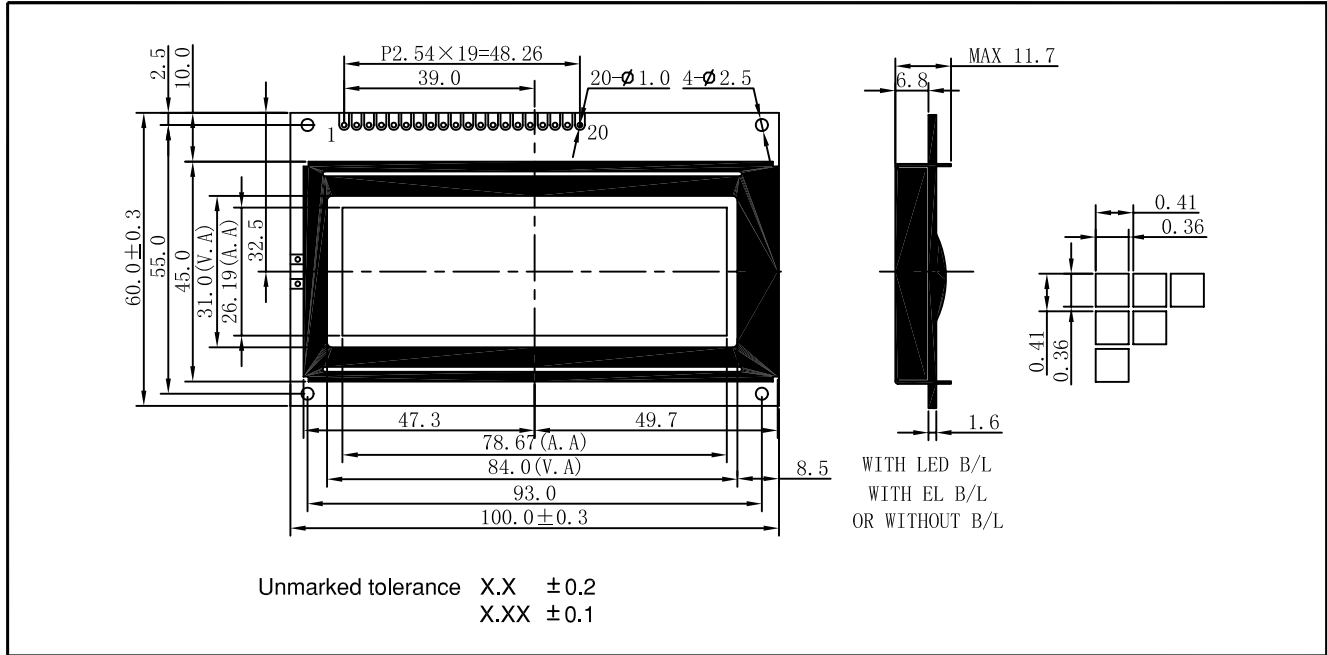
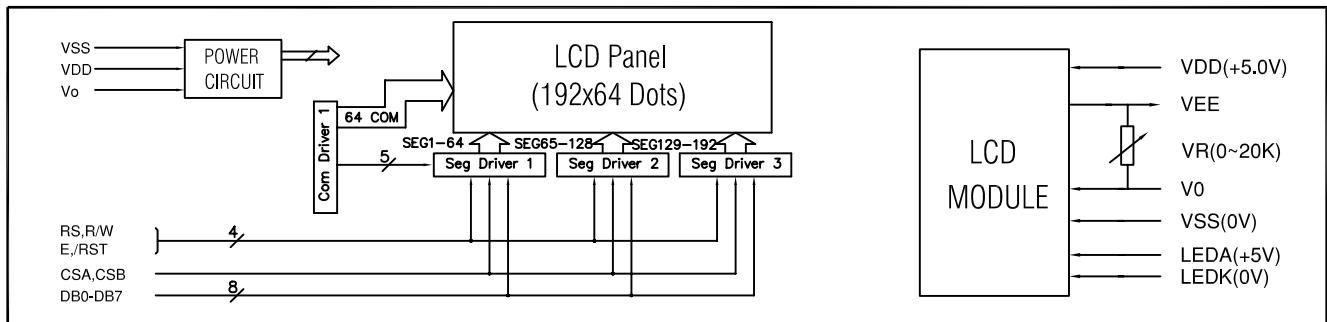


OUTLINE DIMENSIONS



BLOCK DIAGRAM & POWER SUPPLY



MECHANICAL SPECIFICATIONS & FEATURE

Item	Normal Dimensions(mm)	FEATURE	
Module Size (W*H*T)	100.0x60.0x11.7	LCD Type	STN、FSTN
View Area (W*H)	84.0x31.0	LCD Colour	STN:Yellow-Green、Gray FSTN:Gray
DotsxDots	192x64	View Angle	6 O'clock、12 O'clock
Dot Pitch (W*H)	0.41x0.41	Display Type	Positive Type、Negative Type
Dot Size (W*H)	0.36x0.36	Rear polarizer	Transmissive、Reflective、Transflective
---	---	Operating Temperature	0°C ~ 50°C、-20°C ~ 70°C
---	---	Backlight	LED:Yellow EL:Green、Blue-Green、Blue Without

ELECTRICAL CHARACTERISTICS

Item	Symbol	Test Condition	Min.	Typ.	Max.	Unit
Operating Voltage	Vdd	Ta=25°C	---	5.0	---	V
Operating Voltage for LCD	Vlcd	Ta=25°C	---	13.0	---	V
Supply Current	Idd	Ta=25°C, Vdd=5.0V	---	2.5	3.5	mA
Supply Current for Backlight(LED)	If	Ta=25°C, Vf=4.2V	---	150	---	mA

INTERFACE PIN CONNECTIONS

Pin No	Symbol	Level	Description
1-8	DB7-DB0	H/L	Data Bus lines
9	E	H/H — L	Enable signal
10	R/W	H/L	Read/write selection (H:Read,L:Write)
11	RS	H/L	Register selection (H:Data register, L:Instruction register)
12	V0	--	Power supply for LCD
13	VDD	--	Power supply for logic(+5.0V)
14	VSS	--	Ground for Logic
15	CSB	H/L	CSA=0,CSB=0: Left part CSA=0,CSB=1:Middle part
16	CSA	H/L	CSA=1,CSB=0: Right part
17	VEE	--	Negative Voltage Output
18	/RSTB	L	Reset signal
19	LEDA	--	Power supply for Backlight(+)
20	LEDK	--	Power supply for Backlight(-)

REMARK

Old No:HY-19264B Series