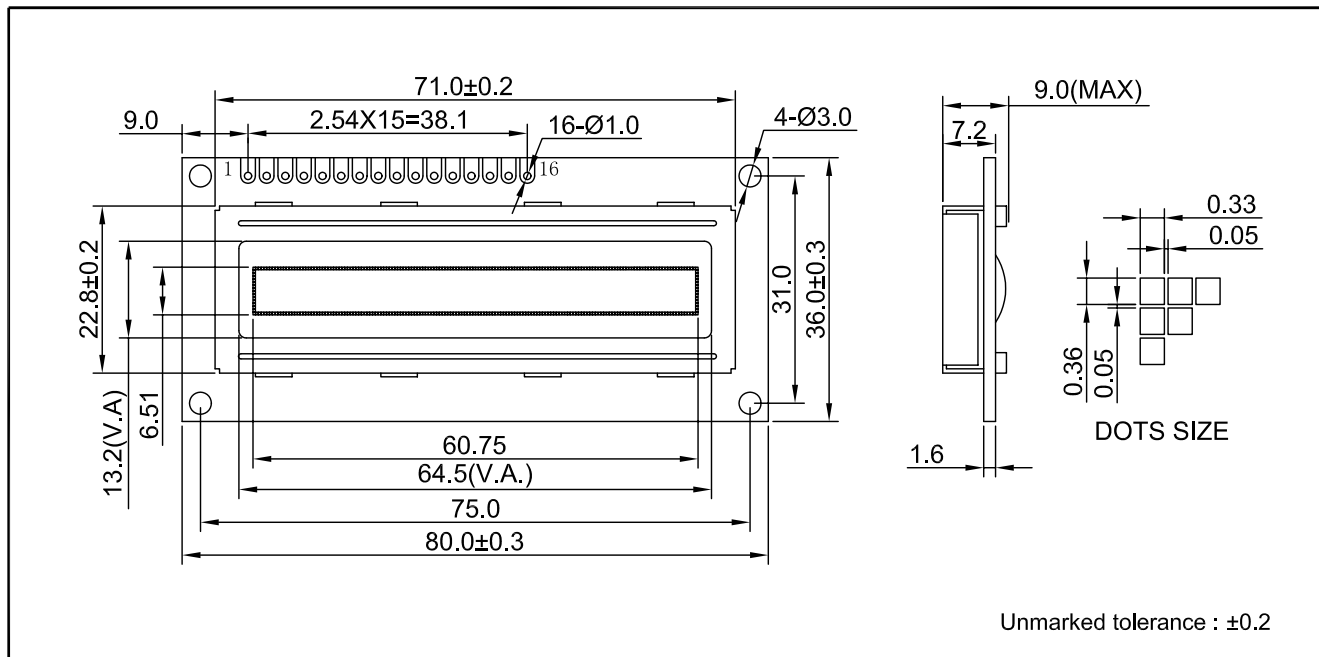


AV-DISPLAY **ABG160016A SERIES**

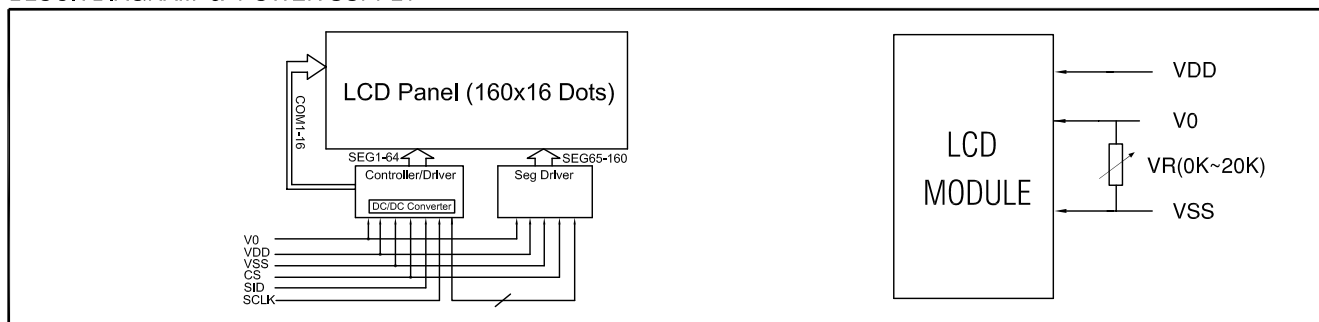
160X16 DOTS

1/32 DUTY, 1/5 BIAS

OUTLINE DIMENSIONS



BLOCK DIAGRAM & POWER SUPPLY



MECHANICAL SPECIFICATIONS & FEATURE

Item	Normal Dimensions(mm)	FEATURE	
Module Size (W*H*T)	80.0x36.0x9.0MAX	LCD Type	STN、FSTN
View Area (W*H)	64.5X13.2	LCD Colour	STN:Yellow-Green、Gray FSTN:Gray
DotsxDots (W*H)	160X16	View Angle	6 O'clock、12 O'clock
Dot Pitch (W*H)	0.38X0.41	Display Type	Positive Type、Negative Type
Dot Size (W*H)	0.33X0.36	Rear polarizer	Transmissive、Reflective、Transflective
---	---	Operating Temperature	0°C ~ 50°C、-20°C ~ 70°C
---	---	---	---

ELECTRICAL CHARACTERISTICS

Item	Symbol	Test Condition	Min.	Typ.	Max.	Unit
Operating Voltage	Vdd	Ta=25°C	---	3.0	---	V
Operating Voltage for LCD	Vlcd	Ta=25°C	---	4.6	---	V
Supply Current	Idd	Ta=25°C, Vdd=3.0V	---	2.0	3.0	mA
---	---	---	---	---	---	---

INTERFACE PIN CONNECTIONS

Pin No	Symbol	Description
1	VSS	Ground for Logic
2	VDD	Power supply for Logic
3	Vo	Power supply for LCD drive
4	CS	Chip select for serial mode. (1): chip enable (0): chip disable
5	NC	no connection
6	SID	Read write control (0): write (1): read (serial data input)
7~10	NC	no connection
11	SCLK	Enable trigger (serial clock)
12~16	NC	no connection

REMARK

Negative type LCD colour:Blue
Old No:HY-16016A SERIES