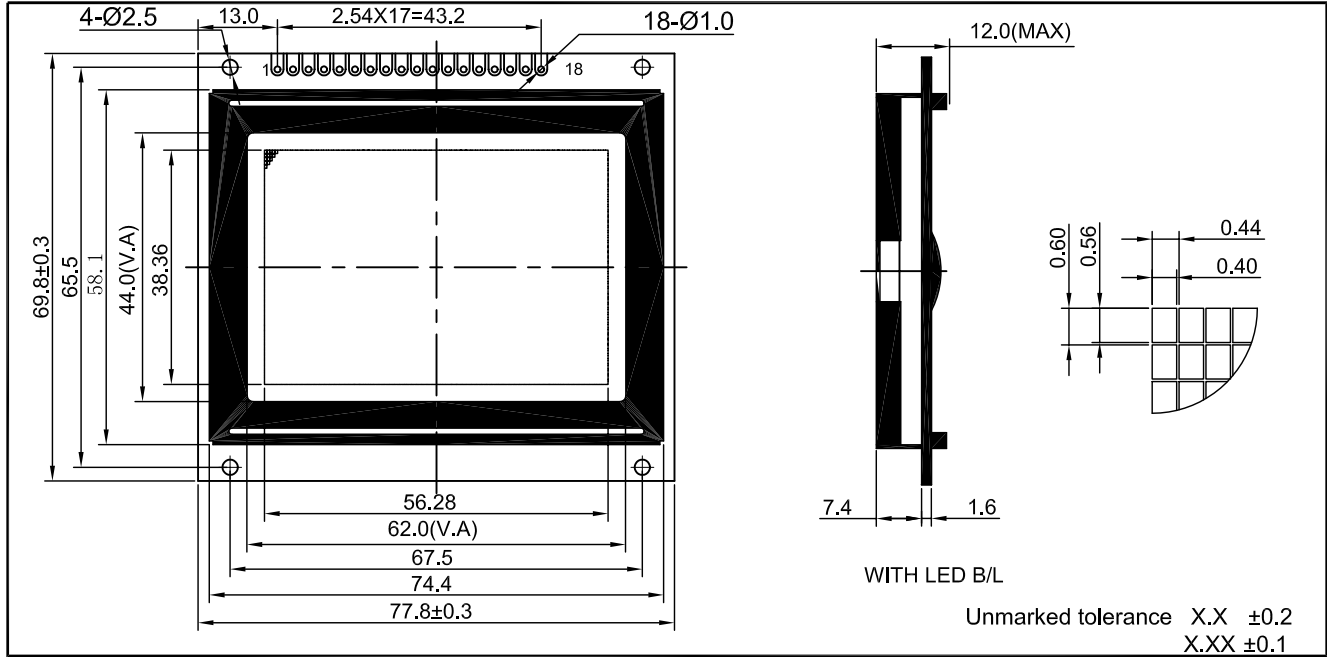
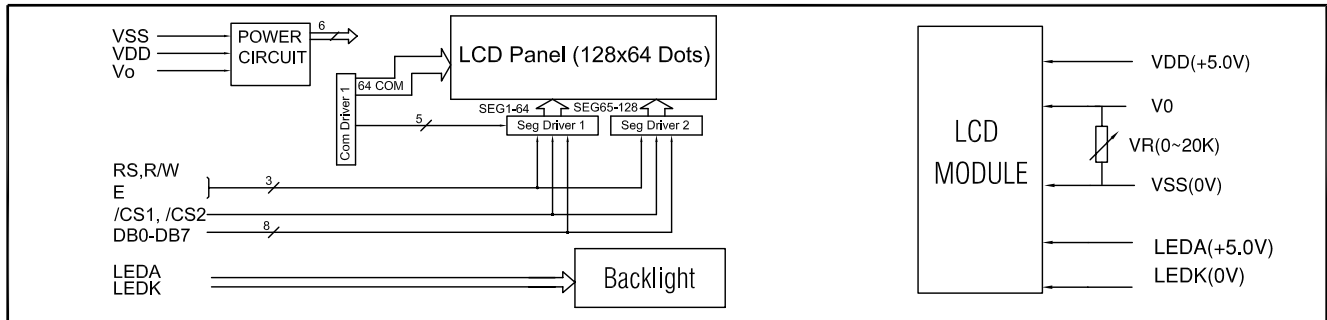


OUTLINE DIMENSIONS



BLOCK DIAGRAM & POWER SUPPLY



MECHANICAL SPECIFICATIONS & FEATURE

Item	Normal Dimensions(mm)	FEATURE	
Module Size (W*H*T)	77.8x69.8x12.0MAX	LCD Type	STN, FSTN
View Area (W*H)	62.0x44.0	LCD Colour	STN:Yellow-Green、Gray FSTN:Gray
DotsxDots(W*H)	128x64	View Angle	6 O'clock、12 O'clock
Dot Pitch (W*H)	0.44x0.60	Display Type	Positive Type、Negative Type
Dot Size (W*H)	0.40x0.56	Rear polarizer	Transmissive、Reflective、Transflective
---	---	Operating Temperature	0°C ~ 50°C、-20°C ~ 70°C
---	---	Backlight	LED:Yellow EL:Green、Blue-Green、Blue Without

ELECTRICAL CHARACTERISTICS

Item	Symbol	Test Condition	Min.	Typ.	Max.	Unit
Operating Voltage	Vdd	Ta=25°C	---	5.0	---	V
Operating Voltage for LCD	Vlcd	Ta=25°C	---	13.0	---	V
Supply Current	Idd	Ta=25°C, Vdd=5.0V	---	3.0	4.0	mA
Supply Current for Backlight(LED)	If	Ta=25°C, Vf=4.1V	---	150	---	mA

INTERFACE PIN CONNECTIONS

Pin No	Symbol	Level	Description
1	/CS2	L	Chip Select Signal for Right Half of the panel
2	/CS1	L	Chip Select Signal for Left Half of the panel
3	VSS	--	Ground for Logic
4	VDD	--	Power supply for Logic
5	V0	--	Power supply for LCD drive
6	RS	H/L	Register selection (H:Data register, L:Instruction register)
7	R/W	H/L	Read/write selection (H:Read,L:Write)
8	E	H/H—L	Enable signal for LCM
9~16	DB0-DB7	H/L	Data Bus lines
17	LEDA	--	Power supply for Backlight(+)
18	LEDK	--	Power supply for Backlight(-)

REMARK

Negative type LCD colour: Blue  
Old No:HY-12864Z Series