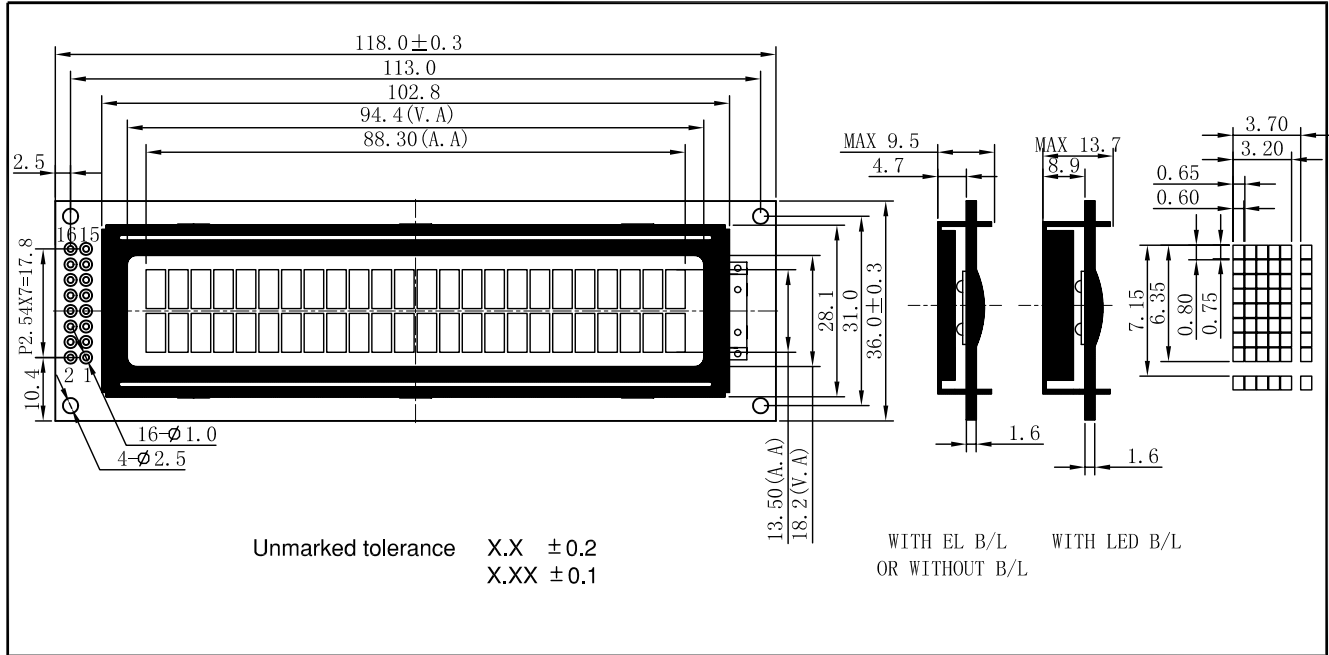
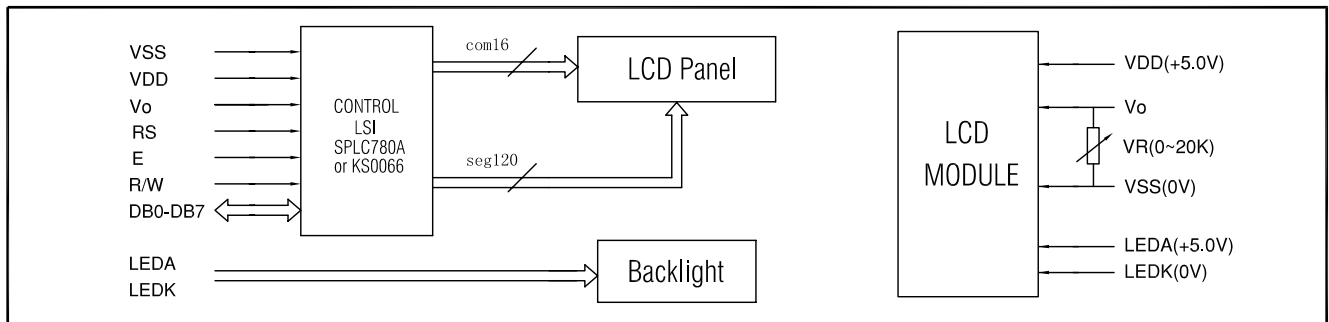


OUTLINE DIMENSIONS



BLOCK DIAGRAM & POWER SUPPLY



MECHANICAL SPECIFICATIONS & FEATURE

Item	Normal Dimensions(mm)	FEATURE	
Module Size (W*H*T)	118.0x36.0x9.5/13.7	LCD Type	STN, FSTN
View Area (W*H)	94.4x18.2	LCD Colour	STN:Yellow-Green, Gray Other:Gray
Character Pitch(W*H)	3.70x7.15	View Angle	6 O'clock, 12 O'clock
Character Size(W*H)	3.20x6.35	Display Type	Positive Type
Character Font	5x8	Rear polarizer	Transmissive, Reflective, Transflective
Dot Pitch (W*H)	0.65x0.80	Operating Temperature	0°C ~ 50°C, -20°C ~ 70°C
Dot Size (W*H)	0.60x0.75	Backlight	LED:Yellow EL:Green, Blue-Green, Blue Without

ELECTRICAL CHARACTERISTICS

Item	Symbol	Test Condition	Min.	Typ.	Max.	Unit
Operating Voltage	Vdd	Ta=25°C	---	5.0	---	V
Operating Voltage for LCD	Vlcd	Ta=25°C	---	4.2	---	V
Supply Current	Idd	Ta=25°C, Vdd=5.0V	---	2.0	3.0	mA
Supply Current for Backlight(LED)	If	Ta=25°C, Vf=4.2V	---	150	---	mA

INTERFACE PIN CONNECTIONS

Pin No	Symbol	Level	Description
1	VSS	--	Ground for Logic
2	VDD	--	Power supply for Logic
3	Vo	--	Power supply for LCD drive
4	RS	H/L	Register selection (H:Data register, L:Instruction register)
5	R/W	H/L	Read/write selection (H:Read,L:Write)
6	E	H/H—L	Enable signal for LCM
7-14	DB0-DB7	H/L	Data Bus lines
15	LEDA	--	Power supply for Backlight(+)
16	LEDK	--	Power supply for Backlight(-)

REMARK

Pin15 and Pin16 electrode(A, K) can be exchanged  
CGROM font option: English, Japanese, Russian, etc  
Old NO.:HY-2402A Series