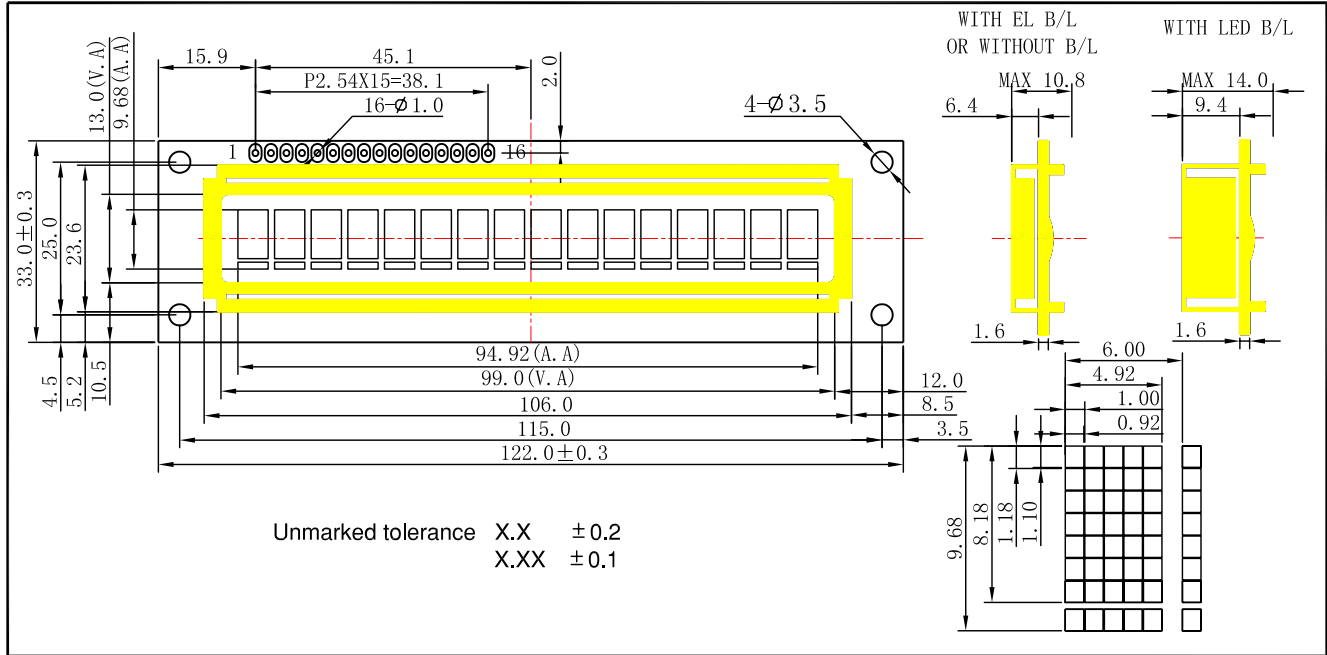
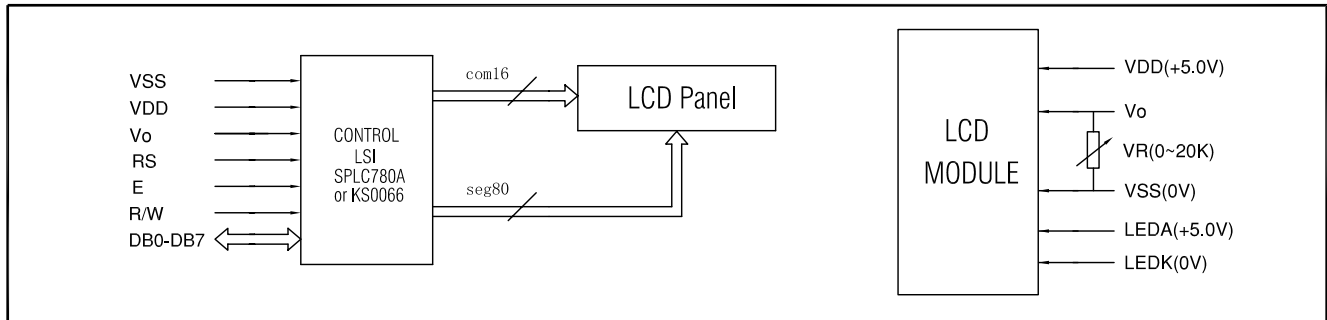


OUTLINE DIMENSIONS



BLOCK DIAGRAM & POWER SUPPLY



MECHANICAL SPECIFICATIONS & FEATURE

Item	Normal Dimensions(mm)	FEATURE	
Module Size (W*H*T)	122.0X33.0X10.8/14.0	LCD Type	STN、TN、HTN、FSTN
View Area (W*H)	99.0X13.0	LCD Colour	STN:Yellow-Green、Gray Other:Gray
Character Pitch(W*H)	6.00X9.68	View Angle	6 O'clock、12 O'clock
Character Size(W*H)	4.92×8.18	Display Type	Positive Type、Negative Type
Character Font	5×8	Rear polarizer	Transmissive、Reflective、Transflective
Dot Pitch (W*H)	1.00×1.18	Operating Temperature	0°C ~ 50°C、-20°C ~ 70°C
Dot Size (W*H)	0.92×1.10	Backlight	LED:Yellow EL:Green、Blue-Green、Blue Without

ELECTRICAL CHARACTERISTICS

Item	Symbol	Test Condition	Min.	Typ.	Max.	Unit
Operating Voltage	Vdd	Ta=25°C	---	5.0	---	V
Operating Voltage for LCD	Vlcd	Ta=25°C	---	4.6	---	V
Supply Current	Idd	Ta=25°C, Vdd=5.0V	---	2.0	3.0	mA
Supply Current for Backlight	If	Ta=25°C, Vf=4.2V	---	100	---	mA

INTERFACE PIN CONNECTIONS

Pin No	Symbol	Level	Description
1	VSS	--	Ground for Logic
2	VDD	--	Power supply for Logic
3	Vo	--	Power supply for LCD drive
4	RS	H/L	Register selection (H:Data register, L:Instruction register)
5	R/W	H/L	Read/write selection (H:Read,L:Write)
6	E	H/H—L	Enable signal for LCM
7-14	DB0-DB7	H/L	Data Bus lines
15	LEDA	--	Power supply for Backlight(+)
16	LEDK	--	Power supply for Backlight(-)

REMARK

Negative type LCD colour: Blue  
CGROM font option: English、Japanese、Russian、etc  
Old NO.:HY-1601E Series