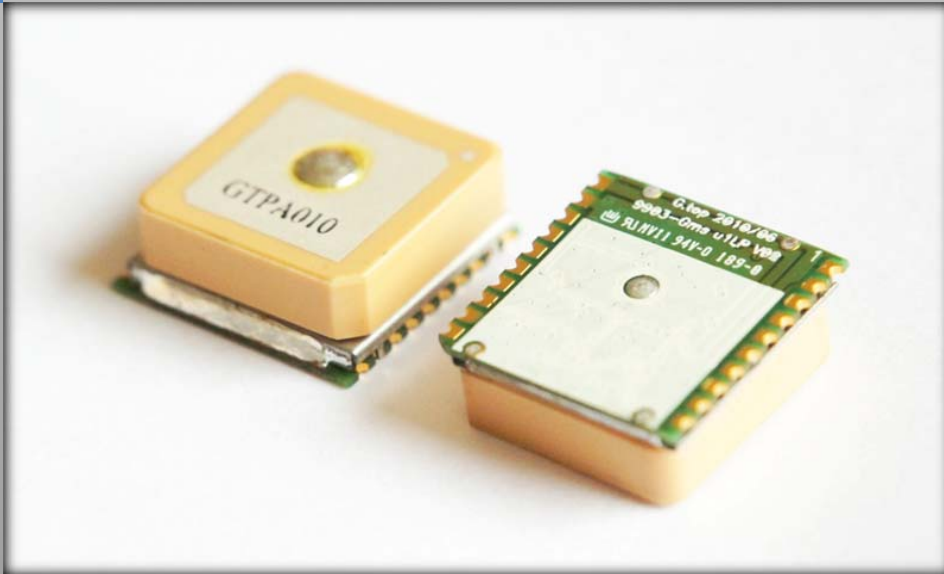




GlobalTop Technology Inc.

Gms-u1LP GPS Module Data sheet

Revision: V01



The Gms-u1LP is a stand-alone GPS antenna module with ultra-high sensitivity (-165dBm) in an ultra-small form factor (16*16*6mm) that has super-efficient low power consumption.

This document is the exclusive property of GlobalTop Tech Inc. and should not be distributed, reproduced, into any other format without prior permission of GlobalTop Tech Inc. Specifications subject to change without prior notice.

Copyright © 2011 GlobalTop Technology Inc. All Rights Reserved.

No.16 Nan-ke 9th Rd, Science-Based Industrial Park, Tainan, 741, Taiwan, R.O.C.

Tel: +886-6-5051268 / Fax: +886-6-5053381 / Email: sales@gtop-tech.com / Web: www.gtop-tech.com

Version History

Title: GlobalTop Gms-u1LP Datasheet

Subtitle: GPS Module

Doc Type: Datasheet

Doc Id:

Revision	Date	Author	Description
V0A	2010-04-21	Ethan	First Release
V0B	2010-07-16	Ethan	Add USB-VCC Remove I2C
V0C	2010-09-13	Gavin	Add External GPS External Antenna Specification Add vibration test criterion
V0D	2010-09-27	Gavin	Update Mechanical Dimension Update Recommended PCB pad Layout
V0E	2010-11-29	Eric	Add more cautions on reflow-soldering
V0F	2010-12-20	Gavin	Enable SPI function for data logger solution
V0G	2011-02-01	Gavin	Update Mechanical Dimension Update Recommended PCB pad Layout Update Title Page Picture
V0H	2011-05-13	Gavin	Update Company contact information Firmware Customization Services Add application description about 3D-Fix Pin (Pin 5)
V0I	2011-05-27	Delano	Recommendation: 3.0V for power input.



Table of Contents

1. Functional Description	4
1.1 Overview	4
1.2 Highlights and Features	5
1.3 System Block Diagram.....	6
2. Specifications	7
2.1 Mechanical Dimension	7
2.2 Recommended PCB pad Layout.....	8
2.3 Pin Configuration	10
2.4 Pin Assignment	11
2.5 Description of I/O Pin	12
2.6 Specification List	15
2.7 Absolute Maximum Ratings.....	16
2.8 Operating Conditions.....	16
2.9 GPS External Antenna Specification (Recommended)	17
3. Protocols	18
3.1 NMEA Output Sentences	18
3.2 MTK NMEA Command Protocols	23
3.3 Firmware Customization Services.....	24
4. Reference Design	25
4.1 Reference Design Circuit.....	25
5. Packing and Handling	28
5.1 Moisture Sensitivity	28
5.2 Packing.....	29
5.3 Storage and Floor Life Guideline.....	31
5.4 Drying.....	31
5.5 ESD Handling.....	32
6. Reflow Soldering Temperature Profile	33
6.1 SMT Reflow Soldering Temperature Profile.....	33
6.2 Cautions on Reflow Soldering with Patch Antenna	34
6.3 Manual Soldering.....	37
7. Contact Information	37

1. Functional Description

1.1 Overview

The GlobalTop Gms-u1LP is an all-in-one, high sensitivity, small SMD form factor, and low power consumption GPS antenna module. It utilizes MediaTek GPS MT3329 solution that supports up to 66 channels of satellite searching with -165dBm sensitivity and 10Hz maximum update rate for precise GPS signal processing under low receptive, high velocity conditions.

Gms-u1LP comes with the addition of a power saving switching mode power supply (SMPS) that can help reduce the overall GPS power consumption by over 30% when compared to the previous generation.

Supplementary to using integrated ceramic patch antenna for reception, Gms-u1LP also has support for external antenna input with automatic antenna switching once the connection to an external antenna is established and detected. This external antenna I/O pin is short-circuit protected and will lower voltage to a safe level in the event of short-circuiting.

In addition, with the help of GlobalTop special firmware and additional flash memory in the design, Gms-1LP can be transformed into a fully functional data logger.

The major advancement in power saving, coupled with flexible GPS firmware customization for enhancing overall processing efficiency (not included in standard firmware), and its small size and I/O versatility makes this simple-to-integrate module the best ideal solution for the next generation of mobile and embedded devices.

Suitable Application:

- ✓ AVL
- ✓ Personal tracker
- ✓ Bike computer
- ✓ Mobile phone
- ✓ PND



1.2 Highlights and Features

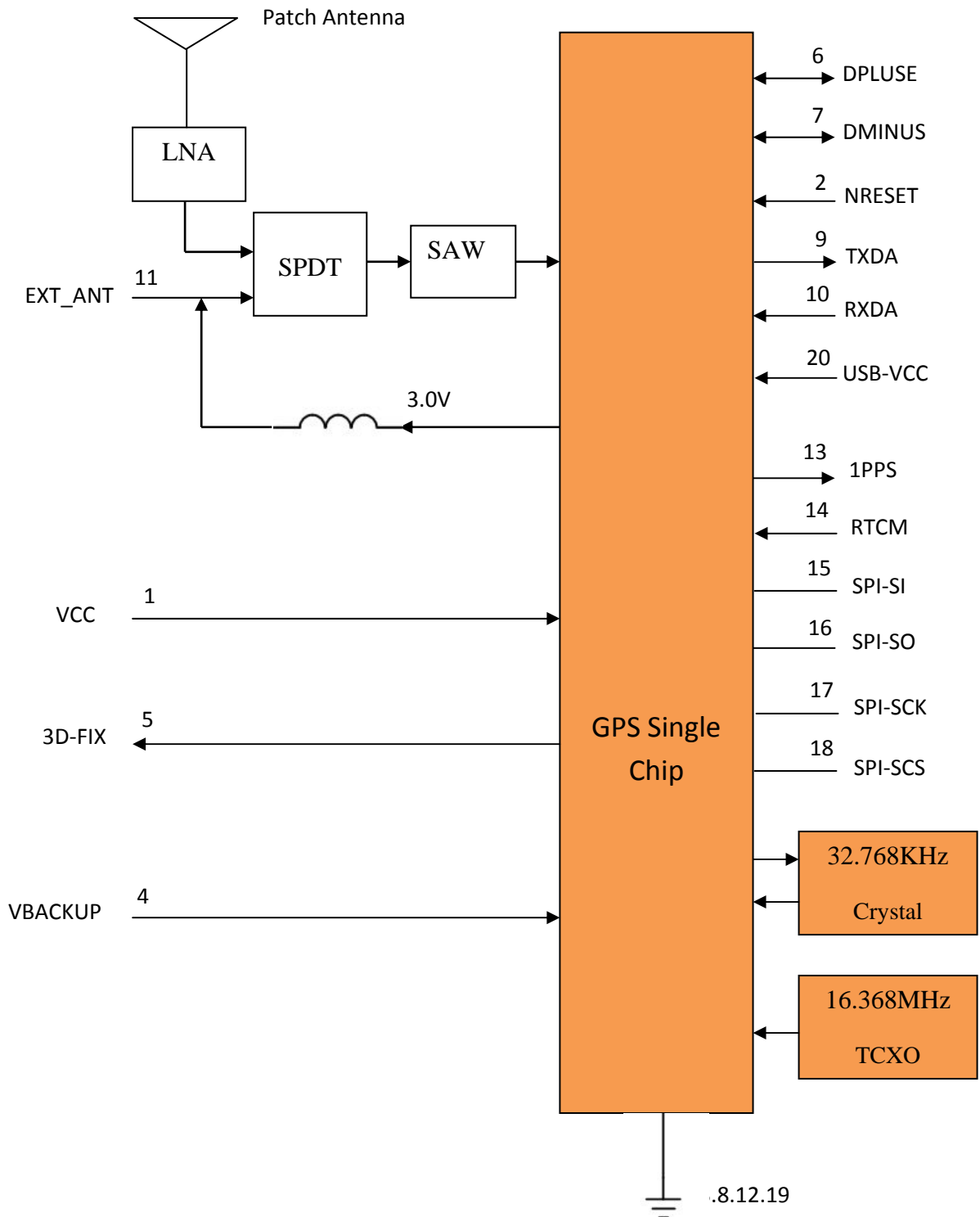
- ◆ Super Low Power Consumption with SMPS Power Saving Management:
Acquisition: 30mA Typical
Tracking: 24mA Typical
- ◆ Integrated Ceramic GPS Antenna with External Antenna I/O Support and Auto-Switching
- ◆ External Antenna Shortage Protection
- ◆ Ultra-High Sensitivity: -165dBm¹
- ◆ L1 Frequency, C/A code, 66-channels satellite searching
- ◆ High Update Rate: up to 10Hz
- ◆ DGPS (WAAS/EGNOS/MSAS/GAGAN) and RTCM Support²
- ◆ AGPS Support for Fast TTFF
- ◆ Multi-Path Detection and Compensation
- ◆ Magnetic Variation Support (Configurable by Customized Firmware)
- ◆ 1-PPS Support for Timing Applications
- ◆ USB Interface support (Desktop Windows and Linux Platform)
- ◆ Support SPI Interface for Data logger solution³
- ◆ Small Dimension: 16mmx16mmx6 mm
- ◆ RoHS, REACH compliant

¹ Reference to GPS chipset specification

²: SBAS can only be enabled when update rate is less than or equal to 5Hz.

³ The SPI interface connects to dedicated serial flash memory for GlobalTop data logger solution and is not explicitly described in this document, please contact your supplier for details.

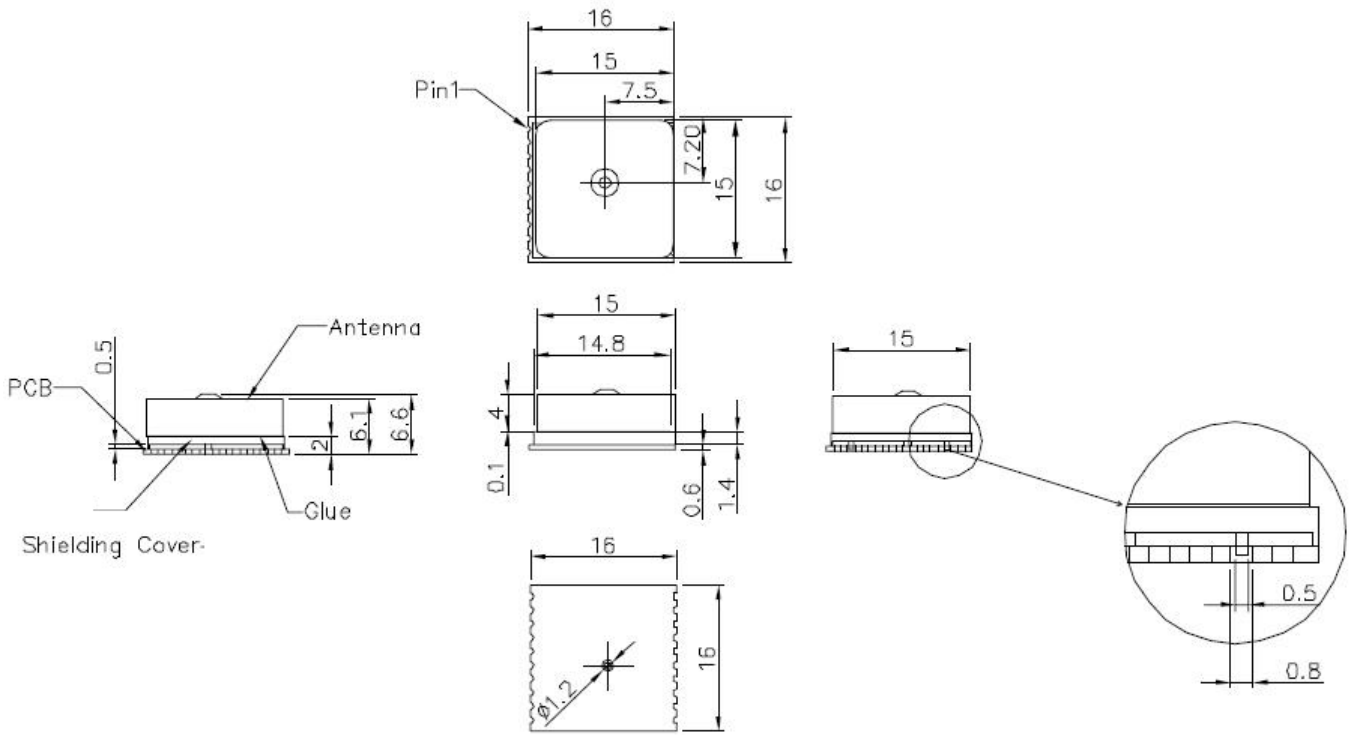
1.3 System Block Diagram



2. Specifications

2.1 Mechanical Dimension

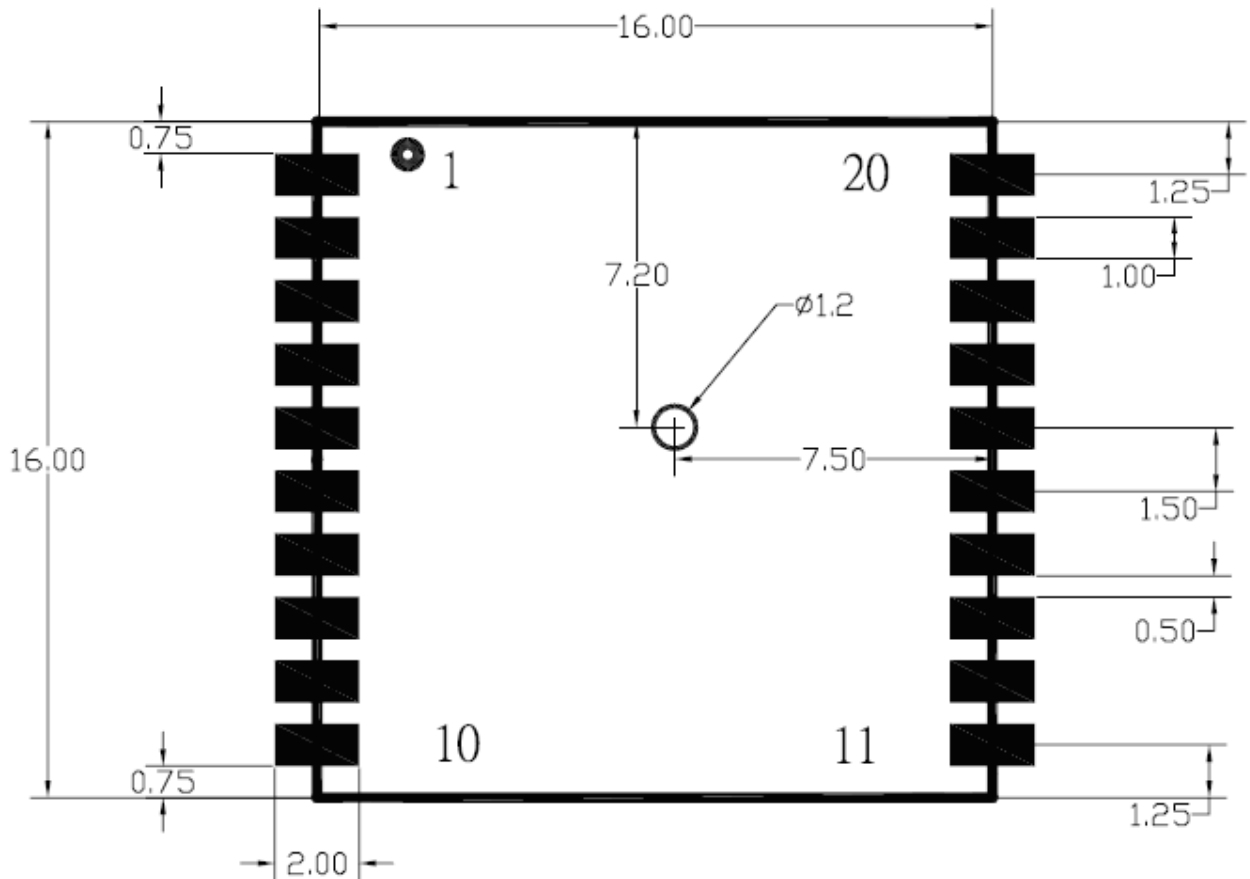
Dimension: (Unit: mm, Tolerance: +/- 0.1mm)



(Top view)

2.2 Recommended PCB pad Layout

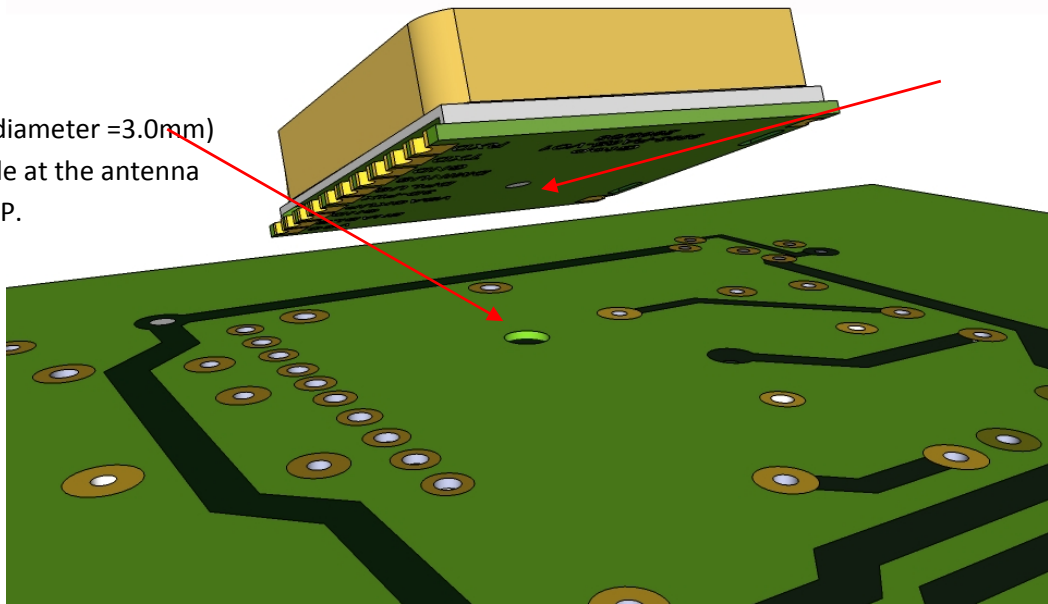
(Unit: mm, Tolerance: 0.1mm)



(Top view)

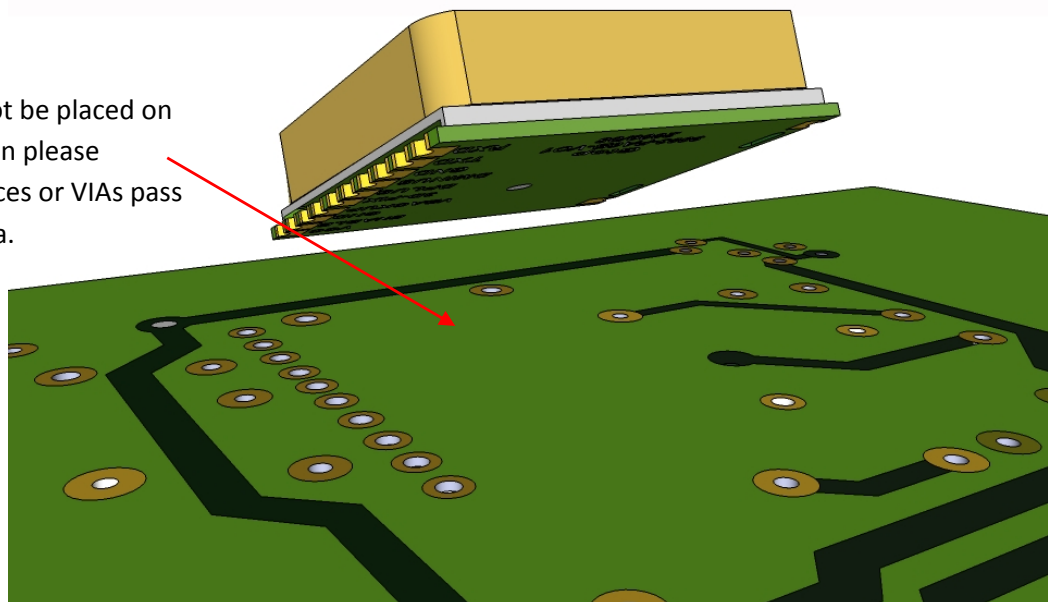
Note:

Place one hole (diameter =3.0mm)
under the module at the antenna
pad for Gms-u1LP.

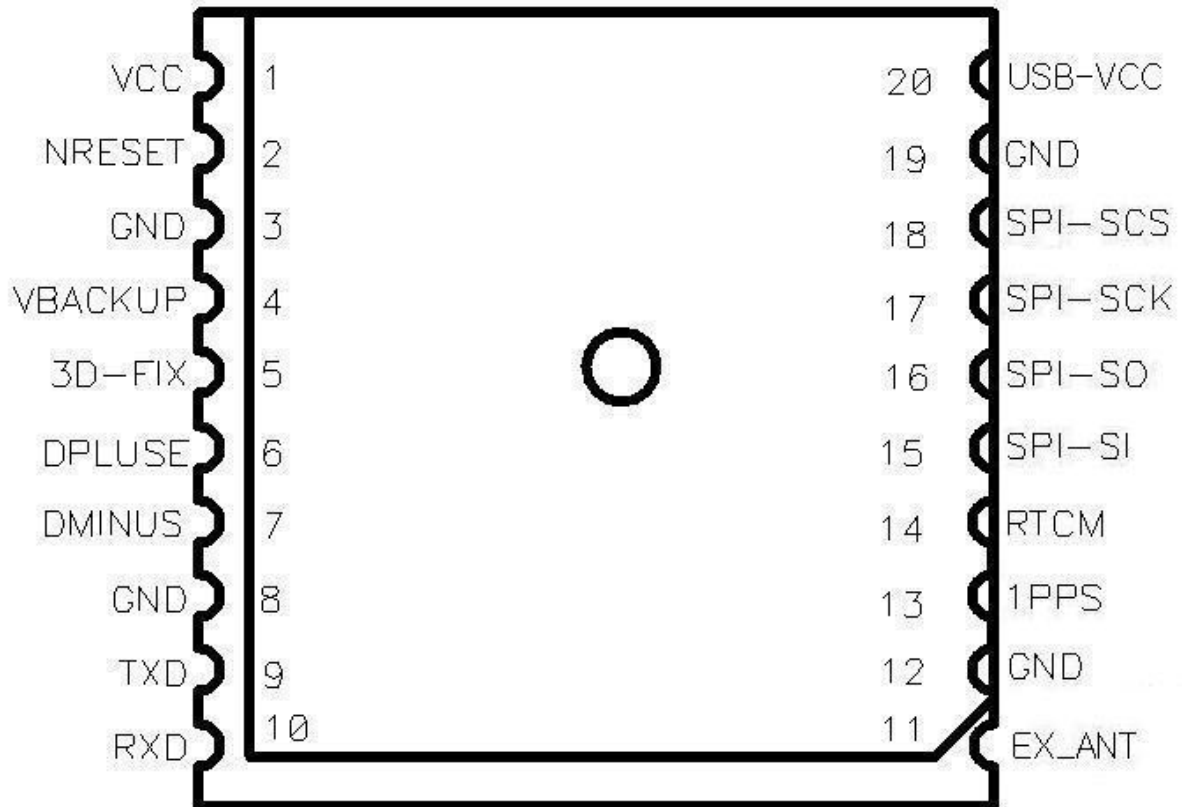


Note:

If the hole cannot be placed on
the PCB pad, then please
don't let any traces or VIAs pass
through this area.



2.3 Pin Configuration



2.4 Pin Assignment

Pin	Name	I/O	Description & Note
1	VCC	PI	Main DC Power Input
2	NRESET	I	Reset Input, Low Active
3	GND	P	Ground
4	VBACKUP	PI	Backup Power Input for RTC & Navigation Data Retention
5	3D-FIX	O	3D-Fix Indicator
6	DPLUS	I/O	USB Port D+
7	DMINUS	I/O	USB Port D-
8	GND	P	Ground
9	TXDA	O	Serial Data Output for NMEA Output (UART TTL)
10	RXDA	I	Serial Data Input for Firmware Update (UART TTL)
11	EX_ANT	I	External antenna 3.0V input and output for external antenna. The maximum consumption current for the GPS antenna is limited to 30mA. When a 3mA or higher current is detected, the IC will acknowledge the external antenna as functional. In the event of short circuit occurring at external antenna, the module will limit the drawn current to a safe level.
12	GND	P	Ground
13	1PPS	O	1PPS Time Mark Output 2.8V CMOS Level
14	RTCM	I	Serial Data Input for DGPS RTCM Data Streaming
15	SPI-SI	I	Transfers data serially into the device (for data logger solution only)
16	SPI-SO	O	Transfers data serially out of the device (for data logger solution only)
17	SPI-SCK	I	Provides serial interface timing clock (for data logger solution only)
18	SPI-SCS	I	Places device in active power mode when driven low (for data logger solution only)
19	GND	P	Ground
20	USB-VCC	PI	USB DC Power Input

2.5 Description of I/O Pin

VCC, Pin1

The main DC power supply for the module. The voltage should be kept between from 3V to 3.6V. **The ripple must be controlled under 50mV_{pp} (Recommendation : 3.0V).**

NRESET, Pin2

With a low level, it causes the module to reset. If not used, keep floating.

GND, Pin3

Ground

VBACKUP, Pin4

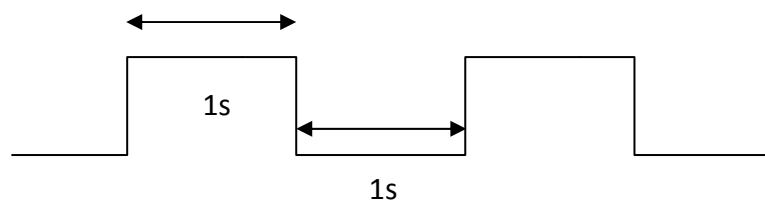
This is the power for GPS chipset to keep RTC running when main power is removed. The voltage should be kept between 2.0V~4.3V, **Typical 3.0V**. If Vbackup is no supplied with power, GPS module will revert back to default setting and perform cold start when re-started.

3D-FIX, Pin5

The 3D-FIX is assigned as a fix flag output. The timing behavior of this pin can be configured by custom firmware for different applications (Example: waking up host MCU). If not used, keep floating.

- Before 2D Fix

The pin should continuously output one-second high-level with one-second low-level signal.



- After 2D or 3D Fix

The pin should continuously output low-level signal.

Low _____

DPLUSE, Pin6

USB Port DPLUS signal (Differential Signal +)

DMINUS, Pin7

USB Port DMINUS signal (Differential Signal -)

GND, Pin8

Ground

TXDA, Pin9

This is the UART transmitter of the module. It outputs the GPS information for application.

RXDA, Pin10

This is the UART receiver of the module. It is used to receive commands from system.

EX_ANT, Pin11

External Antenna input and output 3.0V power for external antenna

GND, Pin12

Ground

1PPS, Pin13

This pin provides one pulse-per-second output from the module, which is synchronized to GPS time. If not used, keep floating; default duration 100ms.

RTCM, Pin14

This pin receive DGPS data of RTCM protocol (TTL level), if not used keep floating'

RTCM is not enabled by default, please consult GlobalTop support to enable this feature.

SPI-SI, Pin15 (Data logger function only)

Transfers serial data into the device using SPI interface, only for external serial flash rom connection used in data logger solution, If not used, keep floating.

SPI-SO, Pin16 (Data logger function only)

Transfers serial data out of the device using SPI interface, only for external serial flash rom connection used in data logger solution, If not used, keep floating.

SPI-SCK, Pin17 (Data logger function only)

Provides serial interface timing, only for external serial flash rom connection used in data logger solution, If not used, keep floating.

SPI-SCS, Pin18 (Data logger function only)

Places device in active power mode when driven low, only for external serial flash rom connection used in data logger solution, If not used, keep floating.

GND, Pin19

Ground

USB-VCC, Pin20

The USB power supply for the USB function; the voltage should be kept between from 3V to 3.6V.
The ripple must be controlled under 50mV_{pp} (Typical: 3.3V).

2.6 Specification List

	Description
GPS Solution	MTK MT3329
Frequency	L1, 1575.42MHz
Sensitivity ¹	Acquisition -148dBm, cold start Reacquisition -160dBm Tracking -165dBm
Channel	66 channels
TTF ¹	Hot start: 1 second typical Warm start: 33 seconds typical Cold start: 35 seconds typical
Position Accuracy	Without aid:3.0m 2D-RMS DGPS(RTM,SBAS(WAAS,EGNOS,MSAS)):2.5m 2D-RMS
Velocity Accuracy	Without aid : 0.1m/s DGPS(RTM,SBAS(WAAS,EGNOS,MSAS,GAGAN)):0.05m/s Without aid:0.1 m/s²
Acceleration Accuracy	Without aid:0.1 m/s² DGPS(RTM,SBAS(WAAS,EGNOS,MSAS)):0.05m/s²
Timing Accuracy (1PPS Output)	100 ns RMS
Altitude	Maximum 18,000m (60,000 feet)
Velocity	Maximum 515m/s (1000 knots)
Acceleration	Maximum 4G
Update Rate	1Hz (default), maximum 10Hz
Baud Rate	9600 bps (default)
DGPS	RTCM protocol(configurable by firmware) or SBAS(default) [WAAS, EGNOS, MSAS,GAGAN]
AGPS	Support
Power Supply	VCC: 3V to 3.6V(Recommendation: 3.0V) ; VBACKUP: 2.0V to 4.3V
Current Consumption	30mA acquisition, 24mA tracking
Working Temperature	-40 °C to +85 °C
Vibration Condition Tested	Frequency range: 10Hz~55Hz Magnitude: 0~7G Test period: 1 min/cycle, 120 cycles, 3 axis (X,Y,Z)
Dimension	16 x 16 x 6 mm, SMD
Weight	6g
¹ Reference to GPS chipset specification	

2.7 Absolute Maximum Ratings

The voltage applied for VCC should not exceed 3.6VDC.

	Symbol	Min.	Typ.	Max.	Unit
Power Supply Voltage	VCC	3	--	3.6	V
Backup battery Voltage	VBACKUP	2.0	--	4.3	V
USB Supply Voltage	USB_VCC	3	--	3.6	V

2.8 Operating Conditions

	Condition	Min.	Typ.	Max.	Unit
Operation supply Ripple Voltage	—	—	—	50	mVpp
RX0 TTL H Level	VCC=3.3V	2.0	—	VCC	V
RX0 TTL L Level	VCC=3.3V	0	—	0.8	V
TX0 TTL H Level	VCC=3.3V	2.4	—	2.8	V
TX0 TTL L Level	VCC=3.3V	0	—	0.4	V
RTCM TTL H Level	VCC=3.3V	2.0	—	VCC	V
RTCM TTL L Level	VCC=3.3V	0	—	0.8	V
USB D+	Standard	—	—	—	V
USB D-	Standard	—	—	—	V
Current Consumption @ 3.3V	Acquisition		30		mA
	Tracking		24		mA
Backup Power Consumption@ 3V	25°C		7		uA

2.9 GPS External Antenna Specification (Recommended)

It is important that the antenna gets a clear view of the sky and is positioned on a surface level to the horizon for best results. The following specification has to meet for the use reference design.

Characteristic	Specification
Polarization	Right-hand circular polarized
Frequency Received	1.57542GHz +/- 1.023MHz
Power Supply	3V to 3.6V
DC Current	3mA ~ 30mA at 3.3V
Total Gain	+ 15dBi
Output VSWR	< 2.5
Impedance	50ohm
Noise Figure	< 1.5dB

3. Protocols

3.1 NMEA Output Sentences

Table-1 A list of each of the NMEA output sentences specifically developed and defined by MTK for use within MTK products

Table-1: NMEA Output Sentence	
Option	Description
GGA	Time, position and fix type data.
GSA	GPS receiver operating mode, active satellites used in the position solution and DOP values.
GSV	The number of GPS satellites in view satellite ID numbers, elevation, azimuth, and SNR values.
RMC	Time, date, position, course and speed data. Recommended Minimum Navigation Information.
VTG	Course and speed information relative to the ground.

GGA—Global Positioning System Fixed Data. Time, Position and fix related data

Table-2 contains the values for the following example :

\$GPGGA,064951.000,2307.1256,N,12016.4438,E,1,8,0.95,39.9,M,17.8,M,,*65

Table-2: GGA Data Format			
Name	Example	Units	Description
Message ID	\$GPGGA		GGA protocol header
UTC Time	064951.000		hhmmss.sss
Latitude	2307.1256		ddmm.mmmm
N/S Indicator	N		N=north or S=south
Longitude	12016.4438		dddmm.mmmm
E/W Indicator	E		E=east or W=west
Position Fix Indicator	1		See Table-3
Satellites Used	8		Range 0 to 14
HDOP	0.95		Horizontal Dilution of Precision
MSL Altitude	39.9	meters	Antenna Altitude above/below mean-sae-level
Units	M	meters	Units of antenna altitude
Geoidal Separation	17.8	meters	
Units	M	meters	Units of geoid separation
Age of Diff. Corr.		second	Null fields when DGPS is not used
Checksum	*65		
<CR> <LF>			End of message termination

Table-3: Position Fix Indicator	
Value	Description
0	Fix not available
1	GPS fix
2	Differential GPS fix

GSA—GNSS DOP and Active Satellites

Table-4 contains the values for the following example :

\$GPGSA,A,3,29,21,26,15,18,09,06,10,,,,,2.32,0.95,2.11*00

Table-4: GSA Data Format			
Name	Example	Units	Description
Message ID	\$GPGSA		GSA protocol header
Mode 1	A		See Table-5
Mode 2	3		See Table-6
Satellite Used	29		SV on Channel 1
Satellite Used	21		SV on Channel 2
....
Satellite Used			SV on Channel 12
PDOP	2.32		Position Dilution of Precision
HDOP	0.95		Horizontal Dilution of Precision
VDOP	2.11		Vertical Dilution of Precision
Checksum	*00		
<CR> <LF>			End of message termination

Table-5: Mode 1	
Value	Description
M	Manual—forced to operate in 2D or 3D mode
A	2D Automatic—allowed to automatically switch 2D/3D

Table-6: Mode 2	
Value	Description
1	Fix not available
2	2D (< 4 SVs used)
3	3D (≥ 4 SVs used)

GSV—GNSS Satellites in View

Table-7 contains the values for the following example :

\$GPGSV,3,1,09,29,36,029,42,21,46,314,43,26,44,020,43,15,21,321,39*7D

\$GPGSV,3,2,09,18,26,314,40,09,57,170,44,06,20,229,37,10,26,084,37*77

\$GPGSV,3,3,09,07,,,26*73

Table-7: GSV Data Format			
Name	Example	Units	Description
Message ID	\$GPGSV		GSV protocol header
Number of Messages	3		Range 1 to 3 <i>(Depending on the number of satellites tracked, multiple messages of GSV data may be required.)</i>
Message Number1	1		Range 1 to 3
Satellites in View	09		
Satellite ID	29		Channel 1 (Range 1 to 32)
Elevation	36	degrees	Channel 1 (Maximum 90)
Azimuth	029	degrees	Channel 1 (True, Range 0 to 359)
SNR (C/No)	42	dBHz	Range 0 to 99, (null when not tracking)
....
Satellite ID	15		Channel 4 (Range 1 to 32)
Elevation	21	degrees	Channel 4 (Maximum 90)
Azimuth	321	degrees	Channel 4 (True, Range 0 to 359)
SNR (C/No)	39	dBHz	Range 0 to 99, (null when not tracking)
Checksum	*7D		
<CR> <LF>			End of message termination

RMC—Recommended Minimum Navigation Information

Table-8 contains the values for the following example :

\$GPRMC,064951.000,A,2307.1256,N,12016.4438,E,0.03,165.48,260406, 3.05,W,A*55

Table-8: RMC Data Format			
Name	Example	Units	Description
Message ID	\$GPRMC		RMC protocol header
UTC Time	064951.000		hhmmss.sss
Status	A		A=data valid or V=data not valid
Latitude	2307.1256		ddmm.mmmm
N/S Indicator	N		N=north or S=south
Longitude	12016.4438		dddmm.mmmm
E/W Indicator	E		E=east or W=west
Speed over Ground	0.03	knots	
Course over Ground	165.48	degrees	True
Date	260406		ddmmyy
Magnetic Variation	3.05,W	degrees	E=east or W=west (Need GlobalTop Customization Service)
Mode	A		A= Autonomous mode D= Differential mode E= Estimated mode
Checksum	*55		
<CR> <LF>			End of message termination

VTG—Course and speed information relative to the ground

Table-9 contains the values for the following example:

\$GPVTG,165.48,T,,M,0.03,N,0.06,K,A*37

Table-9: VTG Data Format			
Name	Example	Units	Description
Message ID	\$GPVTG		VTG protocol header
Course	165.48	degrees	Measured heading
Reference	T		True
Course		degrees	Measured heading
Reference	M		Magnetic (Need GlobalTop Customization Service)
Speed	0.03	knots	Measured horizontal speed
Units	N		Knots
Speed	0.06	km/hr	Measured horizontal speed
Units	K		Kilometers per hour
Mode	A		A= Autonomous mode D= Differential mode E= Estimated mode
Checksum	*06		
<CR> <LF>			End of message termination

3.2 MTK NMEA Command Protocols

The complete MTK NMEA Command list document is available by request. Contact GlobalTop for more details.

Packet Type:

103 PMTK_CMD_COLD_START

Packet Meaning:

Cold Start : Don't use Time, Position, Almanacs and Ephemeris data at re-start.

Example:

\$PMTK103*30<CR><LF>

3.3 Firmware Customization Services

GlobalTop also offers flexible, value-adding GPS firmware customization services that maximizes the over system efficiencies and power consumptions. Latest functions like Binary Mode, 1-Sentence Output, Geo-fencing and Last Position Retention, please see our website at www.gtop-tech.com under Products / GPS Modules / Software Services for more details.

Note: Not all firmware customization services listed below are supported by Gmm-u5j. Please contact GlobalTop Sales or Technical Support for more details.



The infographic features a central image of a Mediatek MT3329 GPS chip. Surrounding the chip are eight service categories, each with a title and a brief description:

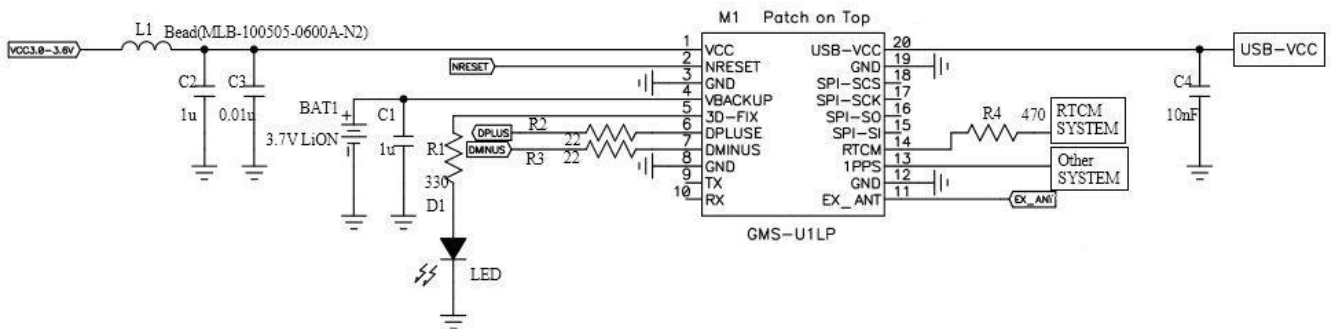
- AGPS**: fast position fix with preloaded ephemeris
- BINARY MODE**: outputs position in binary format for increase efficiency
- PERIODIC MODE**: saves battery by powering off unused components
- DISTANCE CALCULATION**: calculates line of sight distance between receiver and other points of interest
- TIMING MODE**: advanced 1 PPS control for synchronization equipments
- DATA LOGGER SOLUTION**: turns GPS receiver into data logger with additional flash memory
- 10 HZ UPDATE**: fast refresh rate for high speed applications
- LAST POSITION RETENTION**: outputs last known position coordinates after losing GPS satellite fix
- ONE SENTENCE**: decreases calculation load on processor by simplifying output NMEA sentences

4. Reference Design

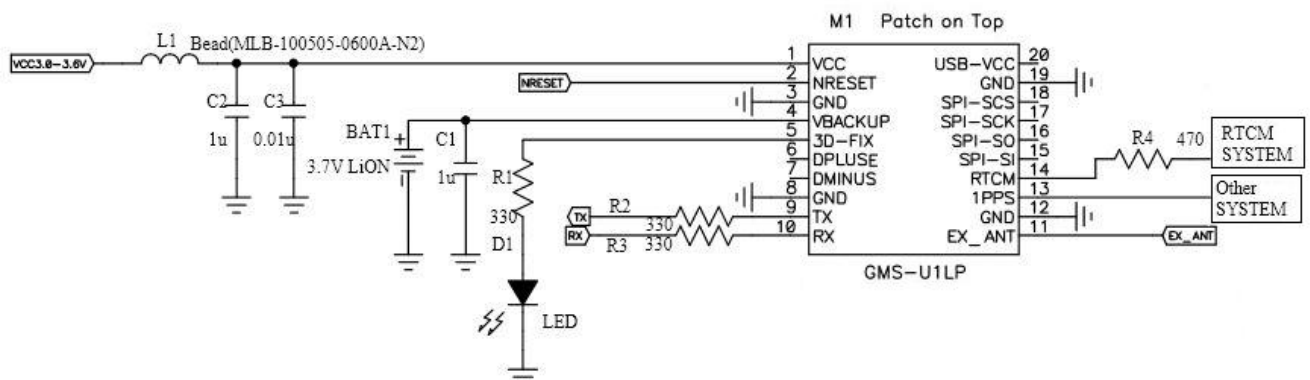
This chapter introduces the reference schematic design for the best performance. Additional tips and cautions on design are well documented on Application Note, which is available upon request.

4.1 Reference Design Circuit

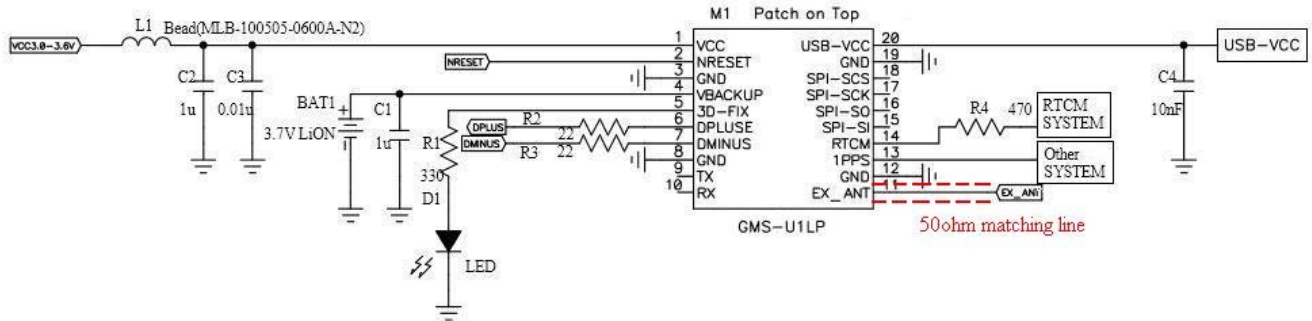
USB Interface



UART Interface

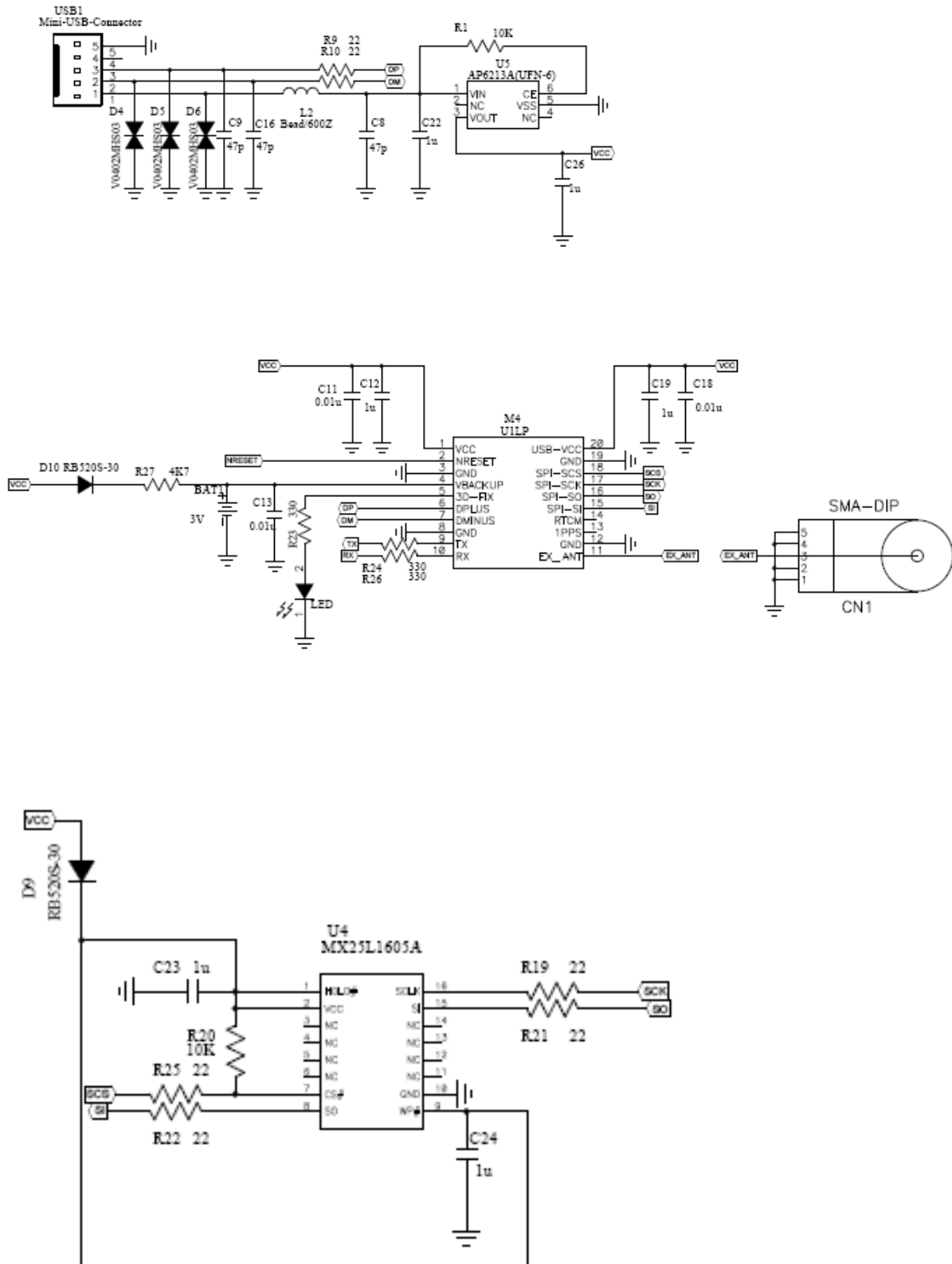


Active Antenna Application



1. If you need more support and information on antenna implementation, please directly contact us at sales@gtop-tech.com for further services.


Data Logger Application (SPI Interface)



5. Packing and Handling

GPS modules, like any other SMD devices, are sensitive to moisture, electrostatic discharge, and temperature. By following the standards outlined in this document for GlobalTop GPS module storage and handling, it is possible to reduce the chances of them being damaged during production set-up. This document will go through the basics on how GlobalTop packages its modules to ensure they arrive at their destination without any damages and deterioration to performance quality, as well as some cautionary notes before going through the surface mount process.

 **Please read the sections II to V carefully to avoid damages permanent damages due to moisture intake**

 **GPS receiver modules contain highly sensitive electronic circuits and are electronic sensitive devices and improper handling without ESD protections may lead to permanent damages to the modules. Please read section VI for more details.**

5.1 Moisture Sensitivity

GlobalTop GPS modules are moisture sensitive, and must be pre-baked before going through the solder reflow process. It is important to know that:

GlobalTop GPS modules must complete solder reflow process in 72 hours after pre-baking.

This maximum time is otherwise known as “Floor Life”

If the waiting time has exceeded 72 hours, it is possible for the module to suffer damages during the solder reflow process such as cracks and delamination of the SMD pads due to excess moisture pressure.

5.2 Packing

GlobalTop GPS modules are packed in such a way to ensure the product arrives to SMD factory floor without any damages.

GPS modules are placed individually on to the packaging tray. The trays will then be stacked and packaged together.

Included are:

1. Two packs of desiccant for moisture absorption
2. One moisture level color coded card for relative humidity percentage.

Each package is then placed inside an antistatic bag (or PE bag) that prevents the modules from being damaged by electrostatic discharge.



Figure 1: One pack of GPS modules

Each bag is then carefully placed inside two levels of cardboard carton boxes for maximum protection.



Figure 2: Box protection

The moisture color coded card provides an insight to the relative humidity percentage (RH). When the GPS modules are taken out, it should be around or lower than 30% RH level.

Outside each electrostatic bag is a caution label for moisture sensitive device.

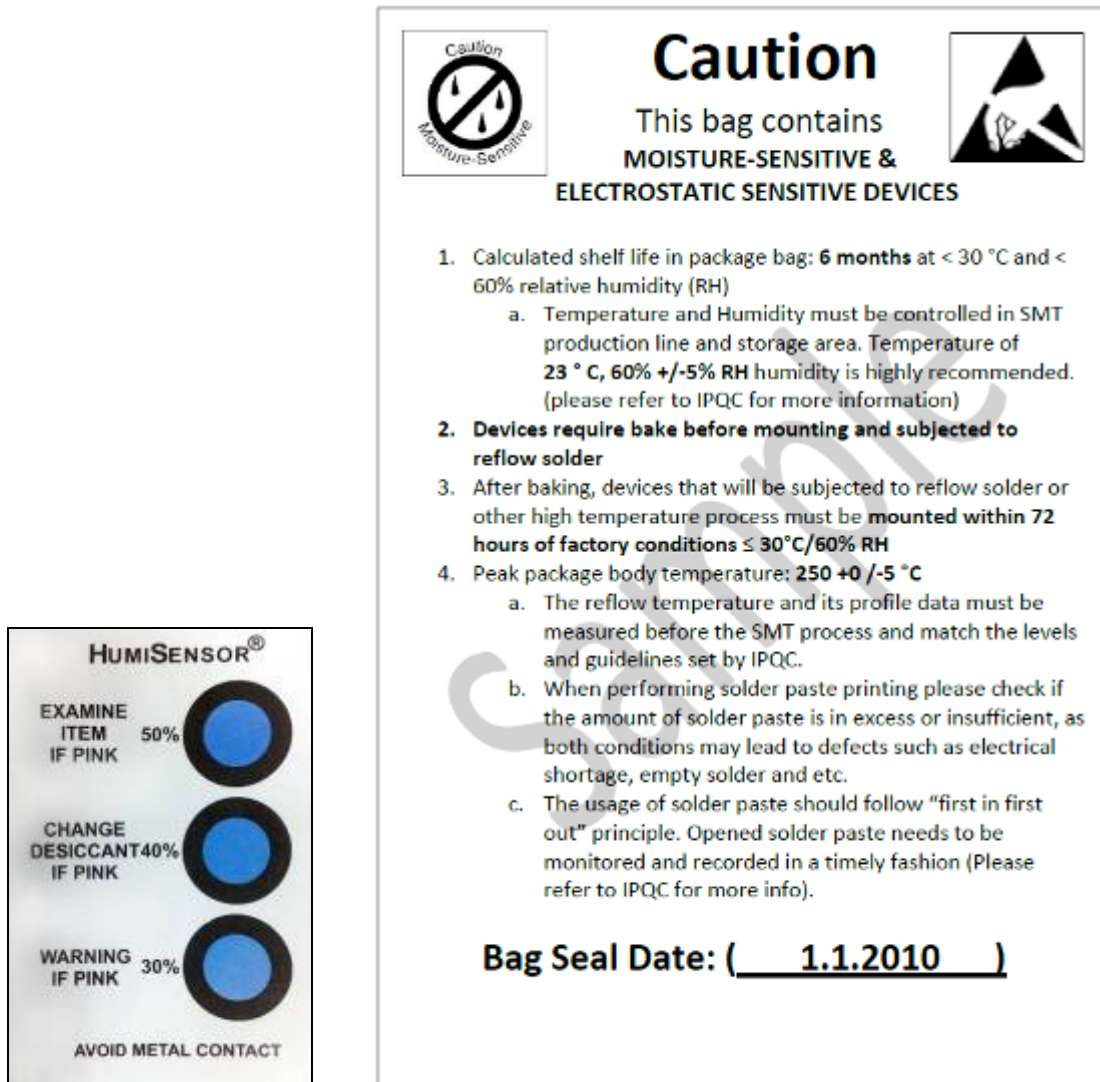


Figure 3: Example of moisture color coded card and caution label

5.3 Storage and Floor Life Guideline

Since GlobalTop modules must undergo solder-reflow process in 72 hours after it has gone through pre-baking procedure, therefore if it is not used by then, it is recommended to store the GPS modules in dry places such as dry cabinet.

The approximate shelf life for GlobalTop GPS modules packages is 6 months from the bag seal date, when store in a non-condensing storage environment (<30°C/60% RH)

 **It is important to note that it is a required process for GlobalTop GPS modules to undergo pre-baking procedures, regardless of the storage condition.**


5.4 Drying


Because the vapor pressures of moisture inside the GPS modules increase greatly when it is exposed to high temperature of solder reflow, in order to prevent internal delaminating, cracking of the devices, or the “popcorn” phenomenon, it is a **necessary requirement** for GlobalTop GPS module to undergo pre-baking procedure before any high temperature or solder reflow process.

The recommendation baking time for GlobalTop GPS module is as follows:

- ✓ **60°C for 8 to 12 hours**

Once baked, the module’s floor life will be “reset”, and has additional 72 hours in normal factory condition to undergo solder reflow process.

 **Please limit the number of times the GPS modules undergoes baking processes as repeated baking process has an effect of reducing the wetting effectiveness of the SMD pad contacts. This applies to all SMT devices.**

 **Oxidation Risk: Baking SMD packages may cause oxidation and/or intermetallic growth of the terminations, which if excessive can result in solder ability problems during board assembly. The temperature and time for baking SMD packages are therefore limited by solder ability considerations. The cumulative bake time at a temperature greater than 90°C and up to 125°C shall not exceed 96 hours. Bake temperatures higher than 125°C are now allowed.**

5.5 ESD Handling



Please carefully follow the following precautions to prevent severe damage to GPS modules.

GlobalTop GPS modules are sensitive to electrostatic discharges, and thus are Electrostatic Sensitive Devices (ESD). Careful handling of the GPS modules and in particular to its patch antenna (if included) and RF_IN pin must follow the standard ESD safety practices:

- ✓ Unless there is a galvanic coupling between the local GND and the PCB GND, then the first point of contact when handling the PCB shall always be between the local GND and PCB GND.
- ✓ Before working with RF_IN pin, please make sure the GND is connected
- ✓ When working with RF_IN pin, do not contact any charges capacitors or materials that can easily develop or store charges such as patch antenna, coax cable, soldering iron.
- ✓ Please do not touch the mounted patch antenna to prevent electrostatic discharge from the RF input
- ✓ When soldering RF_IN pin, please make sure to use an ESD safe soldering iron (tip).

6. Reflow Soldering Temperature Profile

The following reflow temperature profile was evaluated by GlobalTop and has been proven to be reliable qualitatively. Please contact us beforehand if you plan to solder this component using a deviated temperature profile as it may cause significant damage to our module and your device.

All the information in this sheet can only be used only for Pb-free manufacturing process.

6.1 SMT Reflow Soldering Temperature Profile (Reference Only)

Average ramp-up rate (25 ~ 150°C): 3°C/sec. max.

Average ramp-up rate (270°C to peak): 3°C/sec. max.

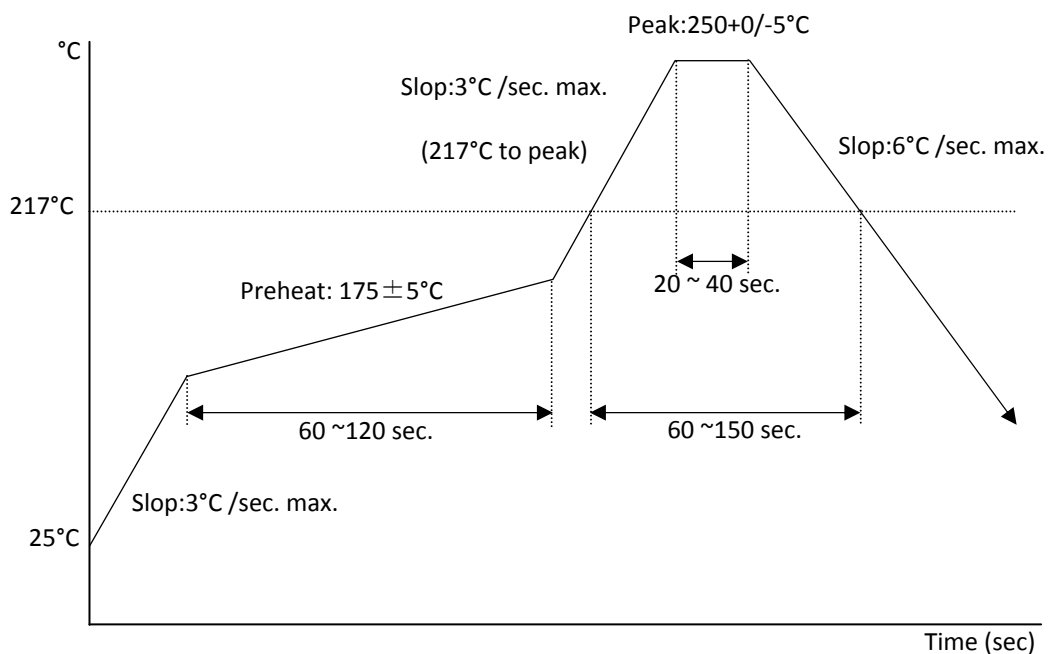
Preheat: 175 ± 25°C, 60 ~ 120 seconds

Temperature maintained above 217°C: 60~150 seconds

Peak temperature: 250 +0/-5°C, 20~40 seconds

Ramp-down rate: 6°C/sec. max.

Time 25°C to peak temperature: 8 minutes max.



6.2 Cautions on Reflow Soldering with Patch Antenna

	Details	Suggestions	Notes
1	Before proceeding with the reflow-soldering process, the GPS module must be pre-baked.	Pre-bake Time: 6 Hours @ 60°±5°C or 4 Hours @ 70°±5°C	The maximum tolerated temperature for the tray is 100°C. After the pre-baking process, please make sure the temperature is sufficiently cooled down to 35°C or below in order to prevent any tray deformation.
2	Because PCBA (along with the patch antenna) is highly endothermic during the reflow-soldering process, extra care must be paid to the GPS module's solder joint to see if there are any signs of cold weld(ing) or false welding.	The parameters of the reflow temperature must be set accordingly to module's reflow-soldering temperature profile.	Double check to see if the surrounding components around the GPS module are displaying symptoms of cold weld(ing) or false welding.
3	Special attentions are needed for PCBA board during reflow-soldering to see if there are any symptoms of bending or deformation to the PCBA board, possibility due to the weight of the module. If so, this will cause concerns at the latter half of the production process.	A loading carrier fixture must be used with PCBA if the reflow soldering process is using rail conveyors for the production.	If there is any bending or deformation to the PCBA board, this might causes the PCBA to collide into one another during the unloading process.
4	Before the PCBA is going through the reflow-soldering process, the production operators must check by eyesight to see if there are positional offset to the module, because it will be difficult to readjust after the module has gone through reflow-soldering process.	The operators must check by eyesight and readjust the position before reflow-soldering process.	If the operator is planning to readjust the module position, please do not touch the patch antenna while the module is hot in order to prevent rotational offset between the patch antenna and module.

	Details	Suggestions	Notes
5	Before handling the PCBA, they must be cooled to 35°C or below after they have gone through the reflow-soldering process, in order to prevent positional shift that might occur when the module is still hot.	<ol style="list-style-type: none"> 1. Can use electric fans behind the Reflow machine to cool them down. 2. Cooling the PCBA can prevent the module from shifting due to fluid effect. 	It is very easy to cause positional offset to the module and its patch antenna when handling the PCBA under high temperature.
6	<ol style="list-style-type: none"> 1. When separating the PCBA panel into individual pieces using the V-Cut process, special attentions are needed to ensure there are sufficient gap between patch antennas so the patch antennas are not in contact with one another. 2. If V-Cut process is not available and the pieces must be separated manually, please make sure the operators are not using excess force which may cause rotational offset to the patch antennas. 	<ol style="list-style-type: none"> 1. The blade and the patch antenna must have a distance gap greater than 0.6mm. 2. Do not use patch antenna as the leverage point when separating the panels by hand. 	<ol style="list-style-type: none"> 1. Test must be performed first to determine if V-Cut process is going to be used. There must be enough space to ensure the blade and patch antenna do not touch one another. 2. An uneven amount of manual force applied to the separation will likely to cause positional shift in patch antenna and module.
7	When separating panel into individual pieces during latter half of the production process, special attentions are needed to ensure the patch antennas do not come in contact with one another in order to prevent chipped corners or positional shifts.	Use tray to separate individual pieces.	It is possible to chip corner and/or cause a shift in position if patch antennas come in contact with each other.

Other Cautionary Notes on Reflow-Soldering Process:

1. Module must be pre-baked **before** going through SMT solder reflow process.
2. The usage of solder paste should follow “first in first out” principle. Opened solder paste needs to be monitored and recorded in a timely fashion (can refer to IPQC for related documentation and examples).
3. Temperature and humidity must be controlled in SMT production line and storage area. Temperature of 23°C, 60±5% RH humidity is recommended. (please refer to IPQC for related documentation and examples)
4. When performing solder paste printing, please notice if the amount of solder paste is in excess or insufficient, as both conditions may lead to defects such as electrical shortage, empty solder and etc.
5. Make sure the vacuum mouthpiece is able to bear the weight of the GPS module to prevent positional shift during the loading process.
6. Before the PCBA is going through the reflow-soldering process, the operators should check by eyesight to see if there are positional offset to the module.
7. The reflow temperature and its profile data must be measured before the SMT process and match the levels and guidelines set by IPQC.
8. If SMT protection line is running a double-sided process for PCBA, please process GPS module during the second pass only to avoid repeated reflow exposures of the GPS module. This is because the patch antenna and its shielding on GPS module are endothermic and if the GPS module has been already processed in the first pass, can result in the separation of the patch antenna and PCBA during the second pass due to gravitational pull. Please contact GlobalTop if you must process GPS module during the 1st pass of double-side process.

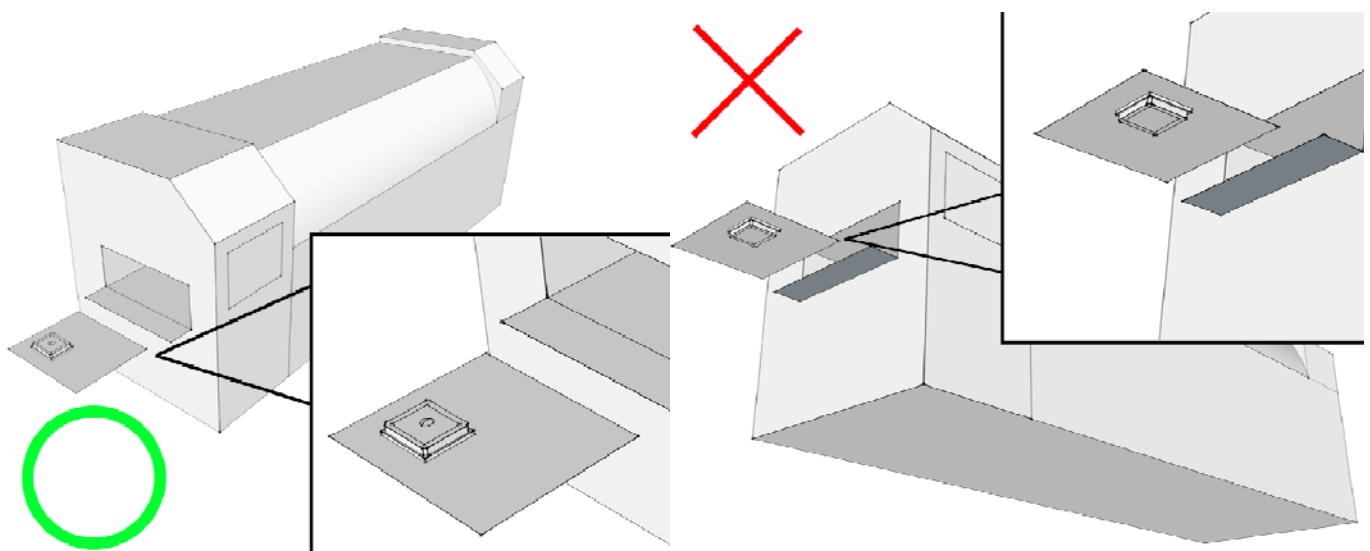


Figure 6.2: Place GPS module right-side up when running reflow-solder process, do not invert.

6.3 Manual Soldering

Soldering iron:

Bit Temperature: Under 380°C Time: Under 3 sec.

Notes:

1. Please do not directly touch the soldering pads on the surface of the PCB board, in order to prevent further oxidation
2. The solder paste must be defrosted to room temperature before use so it can return to its optimal working temperature. The time required for this procedure is unique and dependent on the properties of the solder paste used.
3. The steel plate must be properly assessed before and after use, so its measurement stays strictly within the specification set by SOP.
4. Please watch out for the spacing between soldering joint, as excess solder may cause electrical shortage
5. Please exercise with caution and do not use extensive amount of flux due to possible siphon effects on neighboring components, which may lead to electrical shortage.
6. Please do not use the heat gun for long periods of time when removing the shielding or inner components of the GPS module, as it is very likely to cause a shift to the inner components and will leads to electrical shortage.

7. Contact Information

GlobalTop Technology Inc.

Address: No.16 Nan-ke 9th Rd, Science-Based Industrial Park, Tainan, 741, Taiwan, R.O.C.

Tel: +886-6-505-1268

Fax: +886-6-505-3381

Website: www.gtop-tech.com

Email: sales@gtop-tech.com