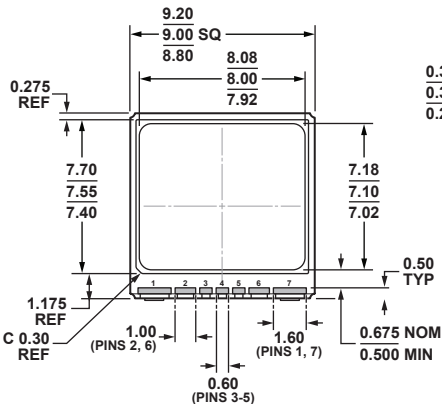


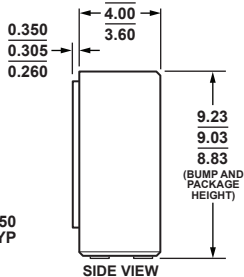
**14-Terminal Ceramic Leadless Chip Carrier, Vertical Form [LCC_V]
(EY-14-1)**

Dimensions shown in millimeters.

FRONT VIEW



SIDE VIEW



BACK VIEW

