

FEATURES:

- Universal Input range from 100V–250V.
- Suitable for High Power LEDs lighting application.
- Power Factor : Pf> 0.5
- Wall Mount Adaptor with US,Euro,UK Plug
- IP20 for dry location
- Tc Point measured, Max case temperature: 70° C
- Protections: Short-Circuit / Over Heat

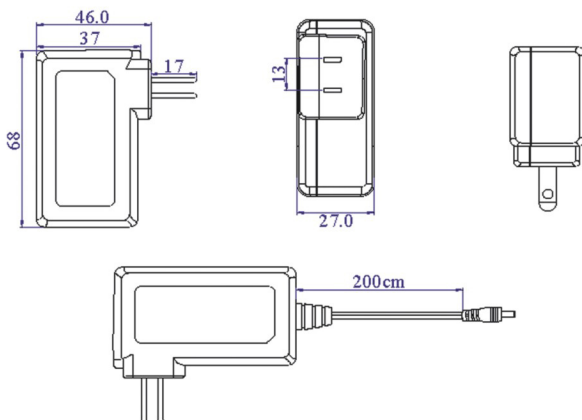
Safety Approval:



SPECIFICATION:

	Model No.	LD-PI3503AF	LD-PI3536AF	LD-PI7006AF	LD-PI7021AF
Input	Voltage Range (VAC)	100V–240Vac			
	Frequency Range (Hz)	50 Hz / 60 Hz			
	AC Current	0.22A@115VAC / 0.085A@230VAC			
	Max. Inrush Current	<15A	<18A	<16A	<20A
	Leakage Current	<1mA / 240 Vac		<1mA / 240 Vac	
Output	Voltage Range (VDC)	3–12 Vdc	3–36 Vdc	3–12 Vdc	3–21 Vdc
	Rated Current Range (mA)	350mA ± 6%	350mA ± 6%	700mA ± 6%	700mA ± 6%
	Rated Power (W)	3W	8W	6W	9W
	Numbers of LEDs	1–3pcs x 1.2W	1–8pcs x 1.2W	1–2pcs x 3W	1–3pcs x 3W
	Efficiency (Typ.)	60%	68%	55%	61%
Environment	Ambient Temp.	–10°C~+40°C full load .			
	Operating Humidity	20% ~ 95% RH non-condensing.			
	Storage Temp. / Humidity	–20 ~ +80°C / 10% ~ 95% RH			
Safety Approval	Safety Standards	UL, Cul 1310 class 2		CE EN 61347 / EN55015	
Other	Cord code/ Cord Color	Secondary:2468/#20 200cm w/DC jack (5.5mm x 2.1mm)			

Mechanical Dimension:



Note 1: Lamps must be wired in series, and total value of Vf should be under rated DC Voltage.

Note 2: Disconnect the mains supply before installing. Do not turn on/off from output port.

Note 3: Parameter measured at full load 25°C ambient temperature.

Note 4: Two years warranty