



# 16.8W AC Dimmable LED Power Supply For High Power LED Lighting Source

15D-15 series

## ◆ Features

- Input Range From 240Vac ± 6%
- Work with leading edge and trailing edge dimmers
- With Power Factor Correction function: PF > 0.9
- Compact, lightweight in plastic case.
- Designed for indoor application.
- Tc Point measured, Max case temperature: 85°C
- Protections: Short-Circuit / Over Load / Over Heat and Auto-recovery Mode
- 2 years warranty
- RoHS Compliant



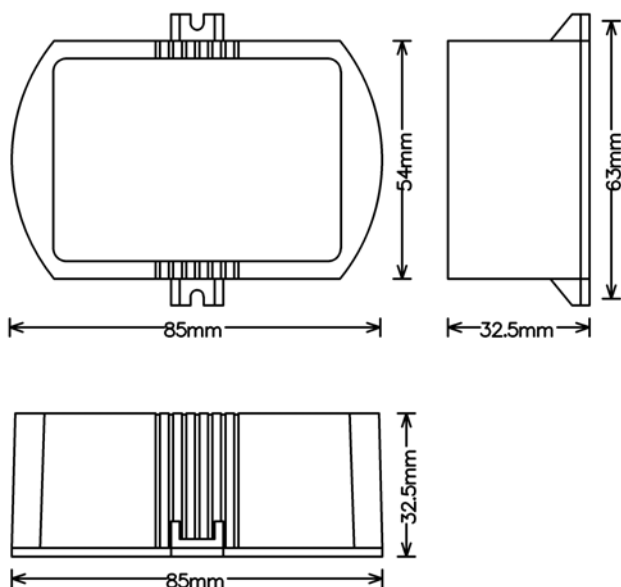
## ◆ Safety Approval



## ◆ Specification

Model No.		LD015D-CE12512-15	LD015D-CE10516-15	LD015D-CE07024-15	LD015D-CE04736-15	LD015D-CE03548-15
Primary	Voltage Range (VAC)	240 Vac ± 6%				
	Frequency Range (Hz)	50 Hz				
	AC Current	0.12A@240VAC				
	THD(Total Harmonic Distortion)	Less than 30% at full load				
	Max. Inrush Current	< 20A				
	Leakage Current	<1mA / 240 Vac				
	Available Dimmers	◆ Standard Light Switches ◆ Triac based Incandescent Dimmers ( Standard phase - leading edge) ◆ Electronic Low Voltage Dimmers (Reverse Phase - trailing edge)				
Secondary	Voltage Range (VDC)	8-12 Vdc	10-16 Vdc	16-24 Vdc	24-36 Vdc	30-48 Vdc
	Ripple & Noise (max.)	2Vp-p	2.1Vp-p	2.4Vp-p	3Vp-p	4Vp-p
	Rated Current Range (mA)	1250mA ± 6%	1050mA ± 6%	700mA ± 6%	470mA ± 6%	350mA ± 6%
	Rated Power (W)	15W Max	16.8W Max	16.8W Max	16.8W Max	16.8W Max
	Efficiency (Typ.)	80%	80%	81%	82.5%	80%
	Hold up time	Half cycle minimum at 240VAC and 80% of rated.				
Environment	Operating Temp.	-20°C~ +50°C full load .				
	Operating Humidity	20% ~ 95% RH non-condensing.				
	Storage Temp. / Humidity	-20 ~ +80°C / 10% ~ 95% RH				
	Ambient Temp.	25°C at 240Vac				
	Vibration Frequency	5 to 50 HZ				
	MTBF	>100,000 Hours at full load and 25°C ambient conditions(MIL-HDBK-217F)				
Safety Approval	Safety Standards	CE EN61347 / EN55015				

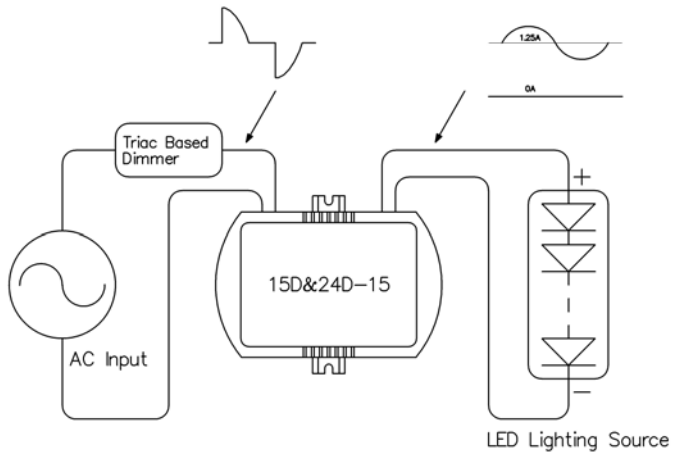
## ◆ Mechanical Dimension



Ever Shining Optotech Co.,Ltd.

Taiwan Office: Tel:+886-3-455-3195 Fax:+886-3-455-5195 <http://www.esop.com.tw>  
 China Factory: Tel:+86-769-8792-2455 Fax:+86-769-8791-1634 <http://www.dgesop.com.cn>

## ◆ Wiring Diagram



## ◆ Dimmer Recommended Chart

Manufacturer	Dimmer Model
DUWI	ET1 53850
BUSCH-JAEGER	2247U
BUSCH-JAEGER	U102
HPM	CAT400T
HPM	CAT250T
CLIPSAL	32E450UDM
CLIPSAL	NO32E450LM

## ◆ Note

1. AC-Dimm series, a new AC/DC LED driver that operate directly from AC line dimmer and provide an isolated, Class 2 low voltage constant current to properly drive the LED luminaires.
2. Lamps must be wired in series, and total value of Vf should be under rated DC Voltage.
3. Disconnect the mains supply before installing, Do not turn on/off from output port.
4. Parameter measured at full load 25°C ambient temperature.
5. Under direct driving, the power supply will work in "constant current mode (CC)" and output voltage of the power supply will be clamped by sum of forward voltage (V) of the LED strip