

FEATURES:

- Universal Input range from 100V–240V.
- Suitable for High Power LEDs lighting application.
- Fly leads 20AWG 15cm for rapid connection
- Power Factor : P_f> 0.5
- Waterproof : IP65 for dry and wet location
- T_c Point measured, Max case temperature: 70° C
- Protections: Short-Circuit / Over Heat

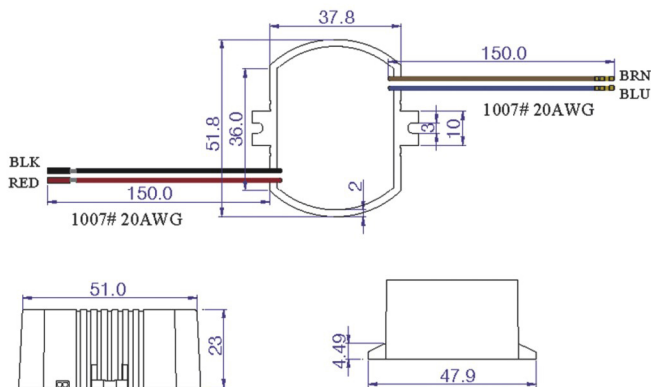
Safety Approval:



SPECIFICATION:

Model No.		LD-CU3512-08	LD-CU3536-08	LD-CU7012-08	LD-CU7021-08
Input	Voltage Range (VAC)	100V–240Vac			
	Frequency Range (Hz)	50 Hz / 60 Hz			
	AC Current	0.22A@115VAC / 0.085A@230VAC			
	Inrush Current	<15A	<18A	<16A	<20A
	Leakage Current	<1mA / 240 Vac		<1mA / 240 Vac	
Output	Voltage Range (VDC)	3–12Vdc	3–36Vdc	3–12Vdc	3–21Vdc
	Rated Current Range (mA)	350mA ± 6%	350mA ± 6%	700mA ± 6%	700mA ± 6%
	Rated Power (W)	1–3W Max	1–8W Max	3–6W Max	3–9W Max
	Numbers of LEDs	1–3pcs x 1W	1–8pcs x 1W	1–2pcs x 3W	1–3pcs x 3W
	Efficiency (Typ.)	60%	68%	55%	61%
Environment	Ambient Temp.	–10°C~+40°C full load .			
	Operating Humidity	20% ~ 95% RH non–condensing.			
	Storage Temp. / Humidity	–20 ~ +80°C / 10% ~ 95% RH			
Safety Approval	Safety Standards	EN 61347 / EN55015			
Other	Cord code/ Cord Color	Primary: 1007/#20 15cm L:brown N:blue Secondary: 1007/#20 15cm +:red -:black			

Mechanical Dimension: 52Lx38Wx23H mm



Note 1: Lamps must be wired in series, and total value of V_f should be under rated DC Voltage.

Note 2: Disconnect the mains supply before installing. Do not turn on/off from output port.

Note 3: Parameter measured at full load 25°C ambient temperature.

Note 4: Two years warranty