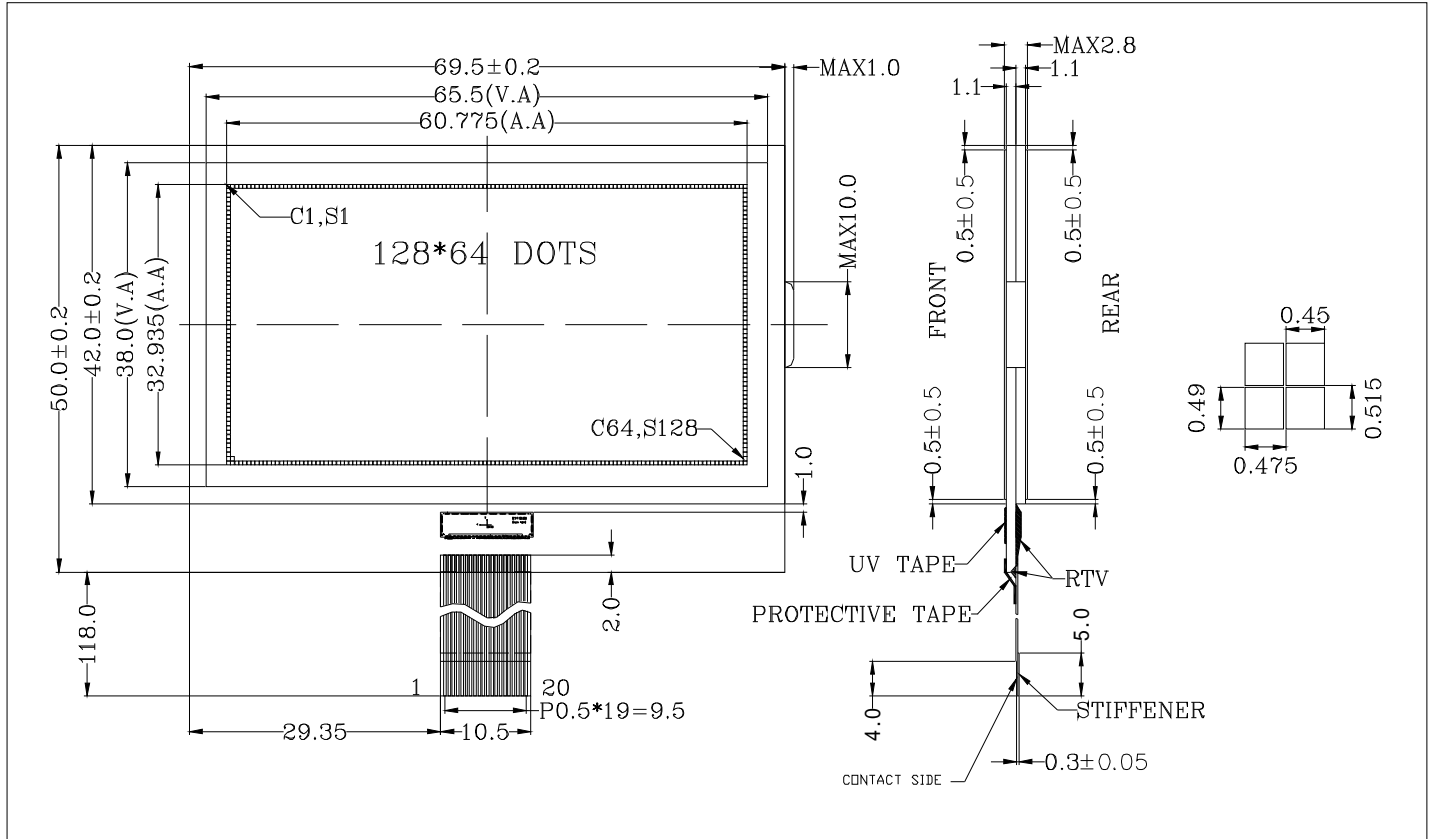
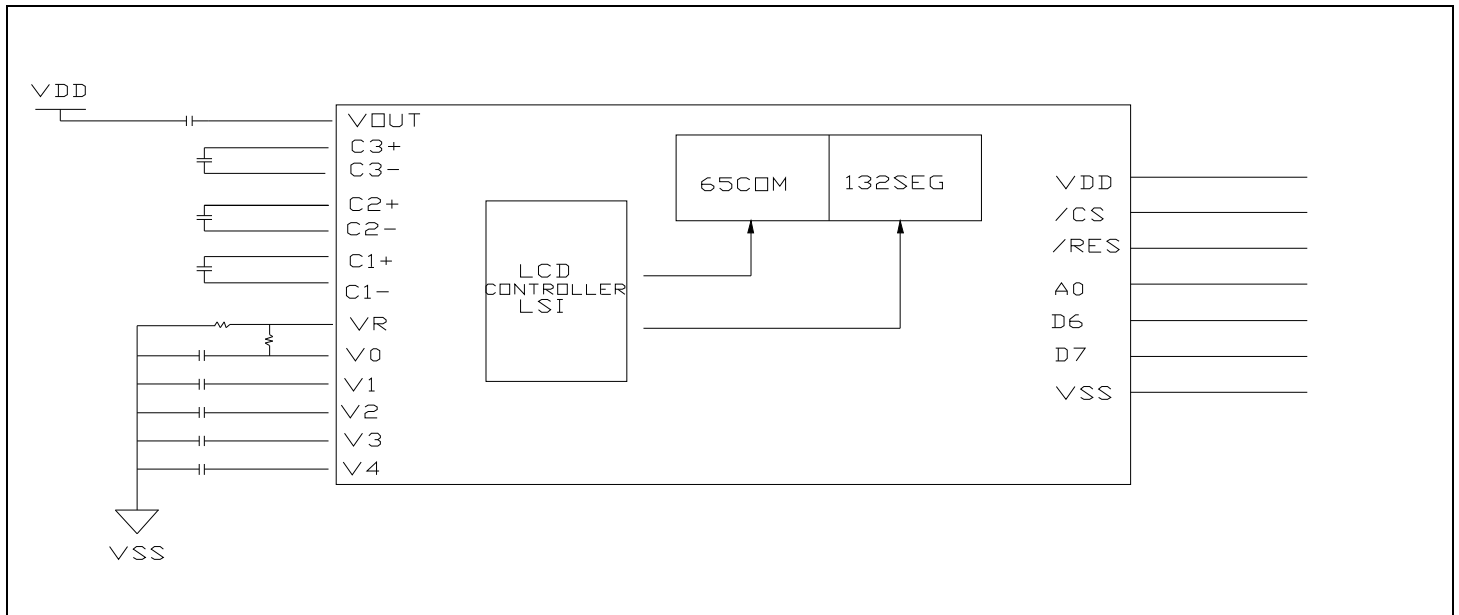


1.0 DIMENSIONAL DRAWING



2.0 BLOCK DIAGRAM



3.0 ELECTRICAL CHARACTERISTICS (Ta = -40 to 85 °C, V_{DD} = 3.0V ± 10%)

Item	Symbol	Test condition	Standard Value			Unit
			Min.	Typ.	Max.	
Power Supply Voltage	VDD	25°C	---	3.0	---	V
LCD Operation Voltage	Vop	25°C(STN)	---	9.0	---	V
LCM Current Consumption	IDD	25°C	---	---	1.0	mA
Backlight Forward Voltage	VF	25°C	---	---	---	V

4.0 ABSOLUTE MAXIMUM RATINGS

Item	Symbol	Test condition	Standard Value			
			Min.	Typ.	Max.	Unit
Supply Voltage(Logic)	VDD-VSS	25	-0.3	-	+7.0	V
Supply voltage for LCD	VDD-V0		-0.3	-	17.0	V
Input voltage	VIN	-	-0.3	-	VDD+0.3	V
Operation Temp.	TOPR	-	-0		+50	℃
Storage Temp.	TSTG	-	-10		+60	℃

5. PIN ASSIGNMENT

Pin no.	Symbol	Description
1	/CS	L: Chip Select
2	/RES	L: Reset
3	A0	H: Instruction; L: Data
4	D6	SCLK
5	D7	SDA
6	VDD	+3.0V
7	VSS	GND
8	VOU	à 1.0uFà VDD
9	C3+	à 1.0uà C3-
10	C3-	à 1.0uà C3+
11	C1-	à 1.0uFà C1+
12	C1+	à 1.0uFà C1-
13	C2+	à 1.0uFà C2-
14	C2-	à 1.0uFà C2+
15	VR	à ajust resistance
16	V0	à 0.47uFà VSS
17	V1	à 0.47uFà VSS
18	V2	à 0.47uFà VSS
19	V3	à 0.47uFà VSS
20	V4	à 0.47uFà VSS

Remark:

1. LCD option: TN,STN, FSTN .
2. Customized module.