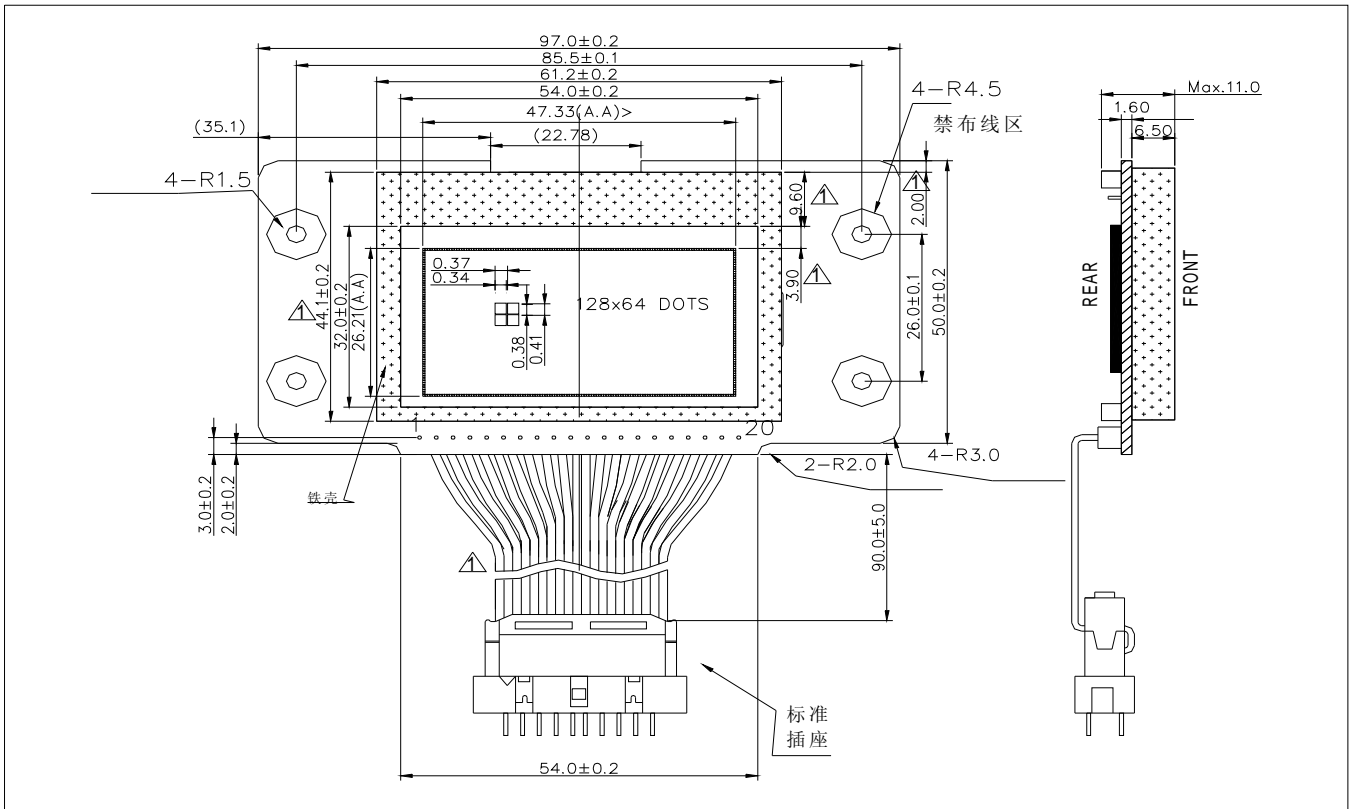
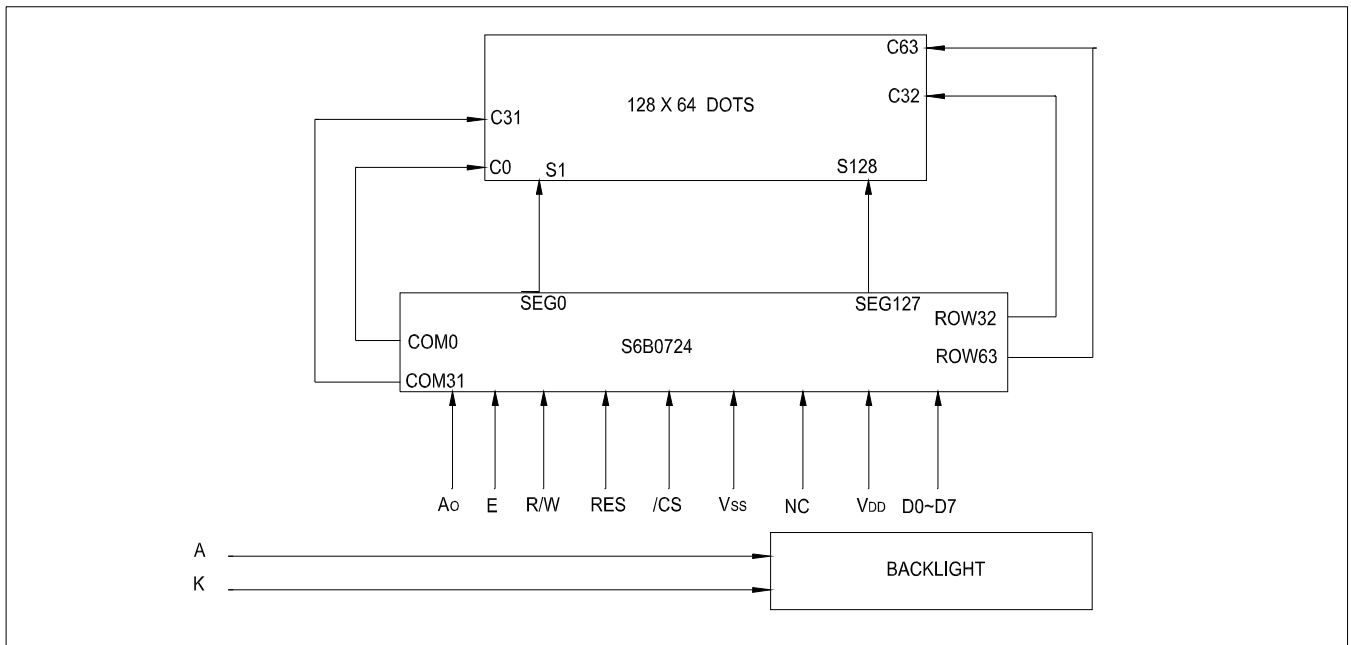


## 1.0 DIMENSIONAL DRAWING



## 2.0 BLOCK DIAGRAM



## 3.0 ELECTRICAL CHARACTERISTICS $T_a=25\text{ }^\circ\text{C}$ $V_{DD}=3.0V\pm 0.25V$

Item	Symbol	Test Condition	Standard Value			Unit
			Min.	Typ.	Max.	
Power Supply Voltage	$V_{DD}-V_{SS}$	25°C	-	3.0	-	V
LCD Operation Voltage	$V_{OP}$		-	9.0	-	V
LCM Current Consumption	$I_{DD}$		-	-	-	mA
Backlight Forward Voltage	$V_F$		-	3.4	-	V

#### 4.0 ABSOLUTE MAXIMUM RATINGS

Item	Symbol	Test Condition	Standard Value		
			Min.	Max.	Unit
Supply Voltage (Logic)	$V_{DD}-V_{SS}$	25°C	-0.3	7	V
Supply Voltage (LCD)	$V_{DD}-V_{O}$		-0.3	17	V
Input Voltage	$V_{IN}$		-0.3	$V_{DD}+0.3$	V
Operating Temp.	$T_{OPR}$	-	0	50	°C
Storage Temp.	$T_{STG}$	-	-10	60	°C

#### 5.0 PIN ASSIGNMENT

PIN No.	Symbol	Description
1	A0	H: Data ; L: Command
2	E	H: Enable
3	R/W	H: Read; L: Write
4	RES	H: Normal; L: Reset
5	/CS	L: Chip Select
6	VSS	GND
7	NC	No Connection
8	VDD	Recommend +5.0V
9~16	D0-D7	Data bus
17	A(LED)	TBD. (+1.8V-+2.0V)
18	K(LED)	Connect to GND.
19	NC	No connection
20	NC	No connection

**Remark**

1. LCD option: STN, FSTN .
2. Customized module.
3. Backlight option: LED backlight feature, other specs not available on catalog is under request.