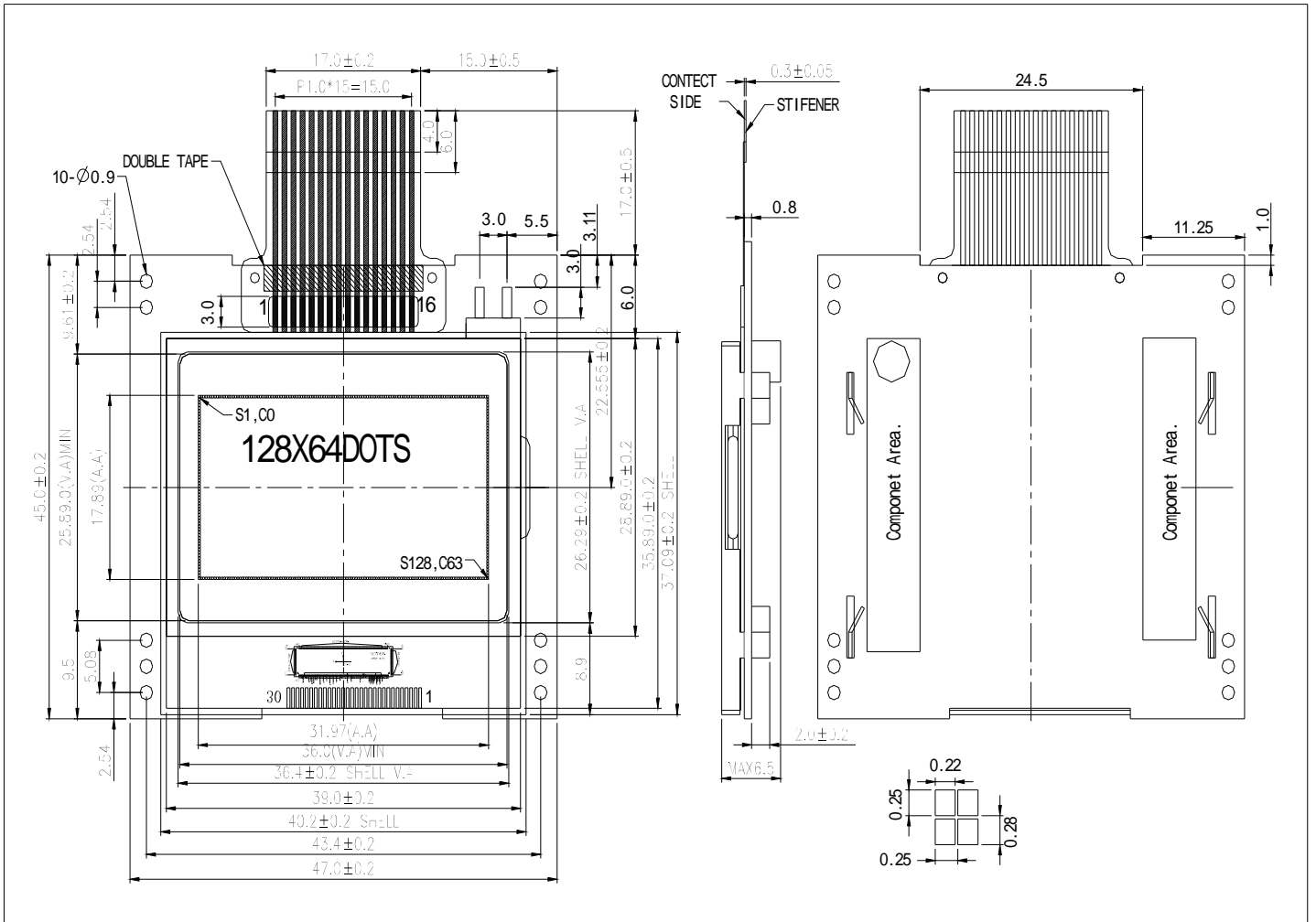
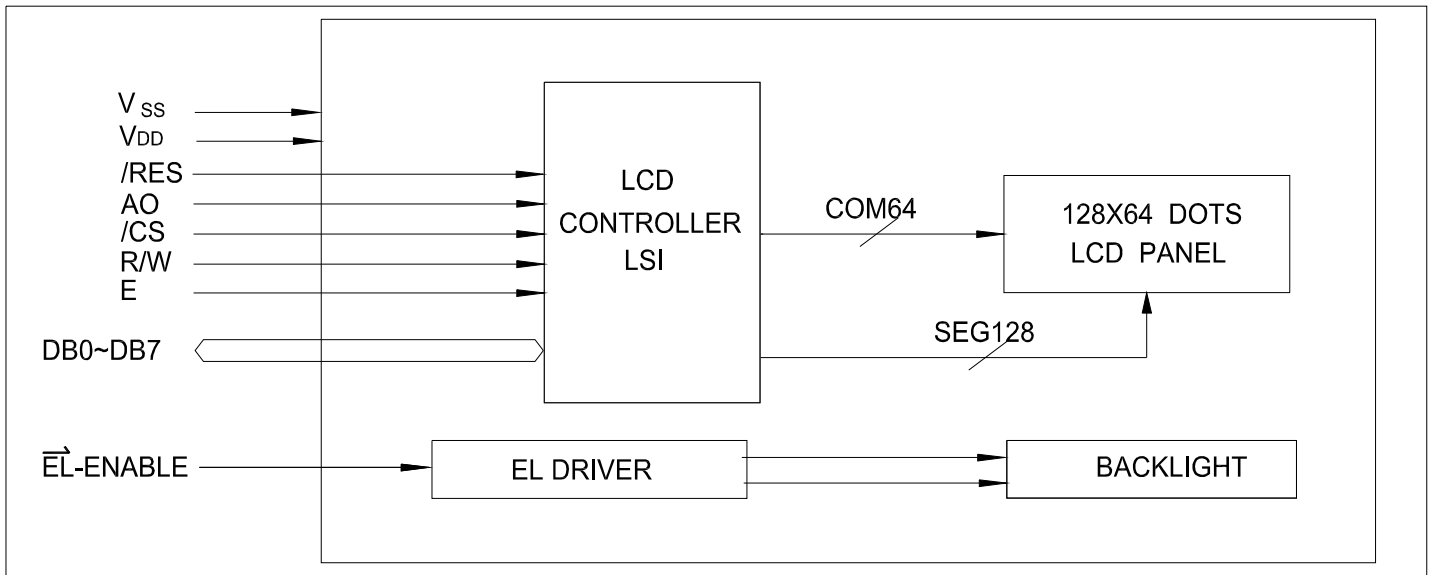


1.0 DIMENSIONAL DRAWING



2.0 BLOCK DIAGRAM



3.0 ELECTRICAL CHARACTERISTICS Ta=25°C VDD=3.0V±0.25V

Item	Symbol	Test Condition	Standard Value			
			Min.	Typ.	Max.	Unit
Power Supply Voltage	$V_{DD}-V_{SS}$	25°C	2.7	3.0	5.5	V
LCD Operation Voltage	V_{OP}			9	13	V
LCM Current Consumption	I_{DD}			2	3	mA
Backlight Forward Voltage	V_F			100.0		V
Backlight Current Consumption	I_F			0.15		mA/cm ²

4.0 ABSOLUTE MAXIMUM RATINGS

Item	Symbol	Test Condition	Standard Value		
			Min.	Max.	Unit
Supply Voltage (Logic)	$V_{DD}-V_{SS}$	25°C	-0.3	7	V
Supply Voltage (LCD)	$V_{DD}-V_O$		-0.3	17	V
Input Voltage	V_{IN}		-0.3	$V_{DD}+0.3$	V
Operating Temp.	T_{OPR}		-20	70	°C
Storage Temp.	T_{STG}		-30	80	°C

5.0 PIN ASSIGNMENT

PIN No.	Symbol	Description
1	/CS	Chip select input pins
2	/RES	Reset input pin
3	A0	Register select input pin
4	R/W	Read / Write execution control pin
5	E	Read / Write execution control pin
6~13	D0~D7	Data Bus
14	V_{SS}	Ground
15	V_{DD}	Power supply
16	EL-E	EL ENABLE

Remark

1. LCD option: STN, FSTN .
2. Customized module.
3. Backlight option: LED, EL backlight feature, other specs not available on catalog is under request.