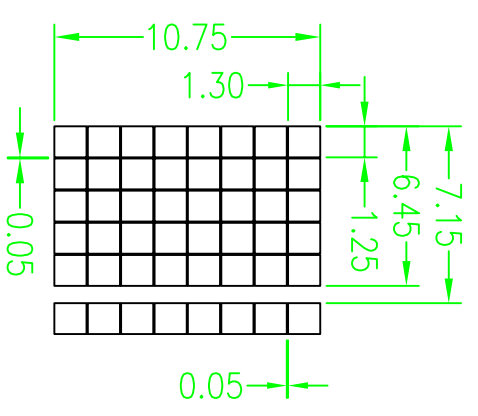
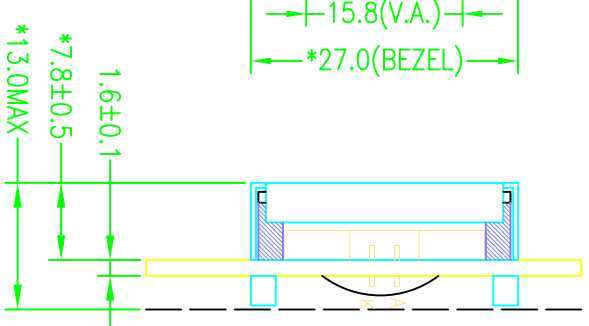
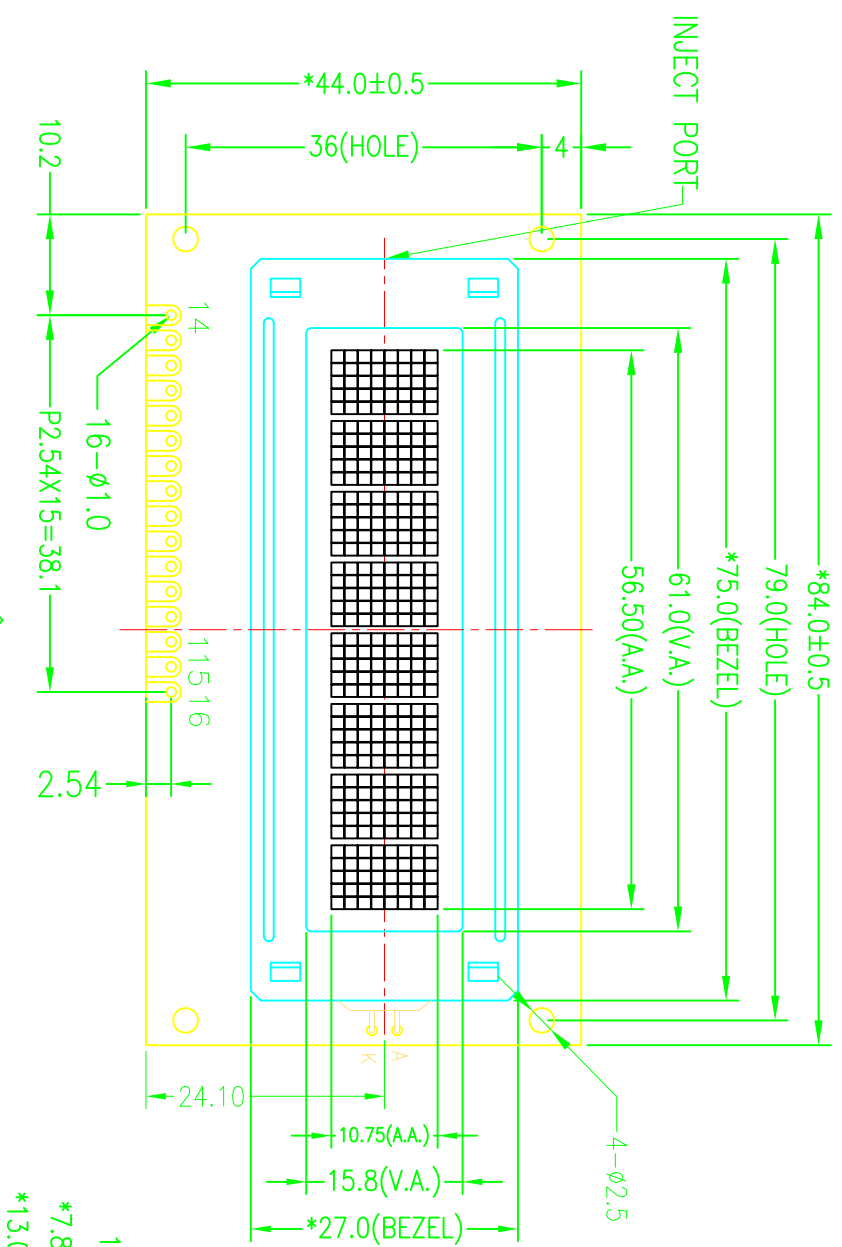


REV 版本	DESCRIPTION 描述	DATE 日期
A	First issue	NOV-09-2007



PIN	1	2	3	4	5	6	7	8
CONNECTION	VSS	VDD	V0	RS	R/W	E	DB0	DB1
PIN	9	10	11	12	13	14	15	16
CONNECTION	DB2	DB3	DB4	DB5	DB6	DB7	LEDA	LEDK

VIEWING DIRECTION

Specification:

- 1). Driving: Duty:1/8, Bias:1/4, VLCD:4.6V, VDD:5.0V
- 2). Wewing Direction: 6 O'clock
- 3). Display mode:STN/Negative/Transmissive/BLUE
- 4). Operating temp.: -20°C~+70°C
- 5). Storage temp.: -30°C~+80°C
- 6). IC:SPIC780D-001B-C
- 7). Backlight: EDGE WHITE
- 8). Dimensions with mark "*" are important,with mark "(" are referenced
- 9). All the raw materials are RoHS compliant



深圳秋田微电子有限公司
SHENZHEN AV-DISPLAY CO.,LTD.

PART NO: 零件编号	CD 结构图	PROJECTION 三角法	MODEL NUMBER 模组型号	SCALE 比例	FTT 适应图面
ABC008001B02-BIW-R			ABC008001B02-BIW-R	1	OR 1
			GENERAL TOL: ±0.3	SHEET: 1	OF 1
			UNIT 公差	DATE	DATE
			DO NOT SCALE THIS DRAWING.	APP:	
				CHK:	
				DWN:	