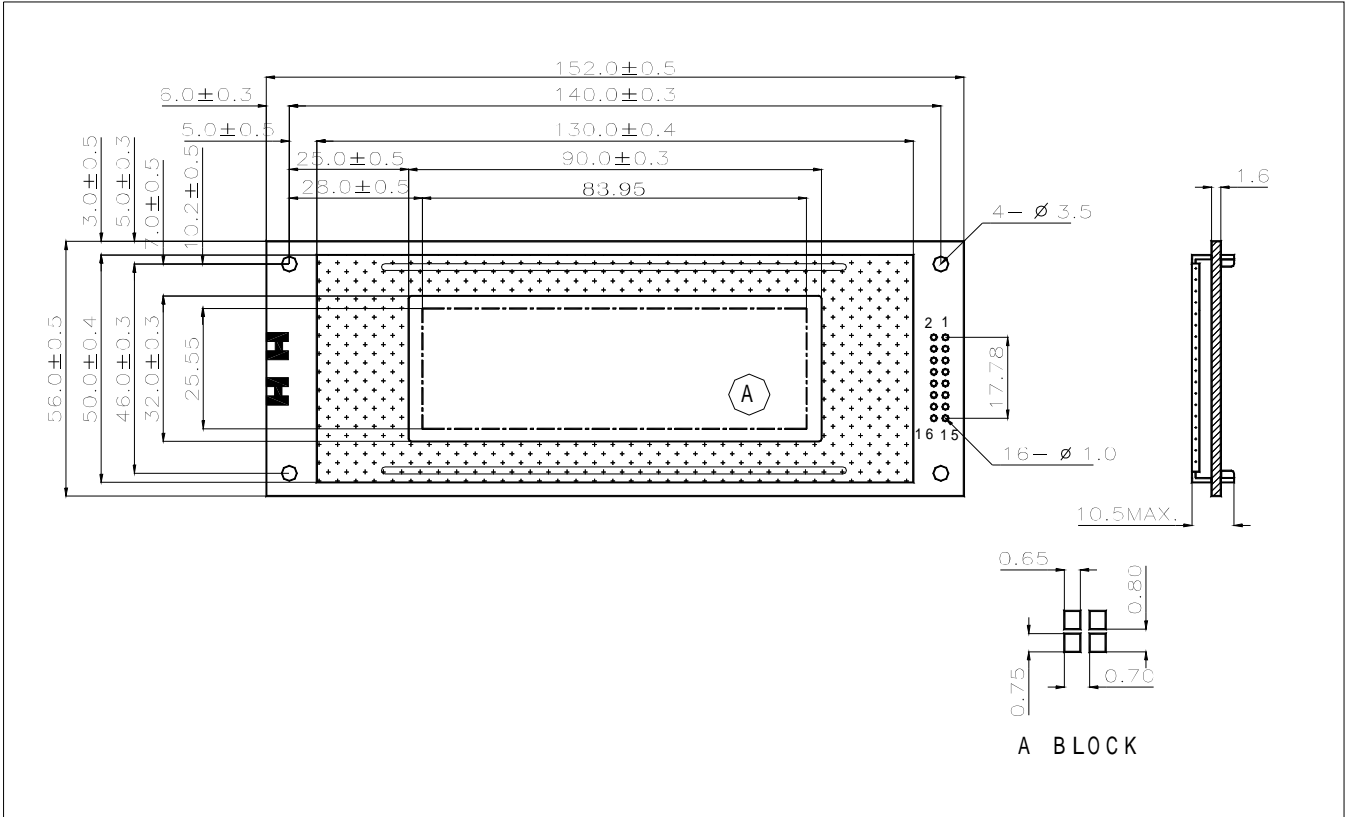
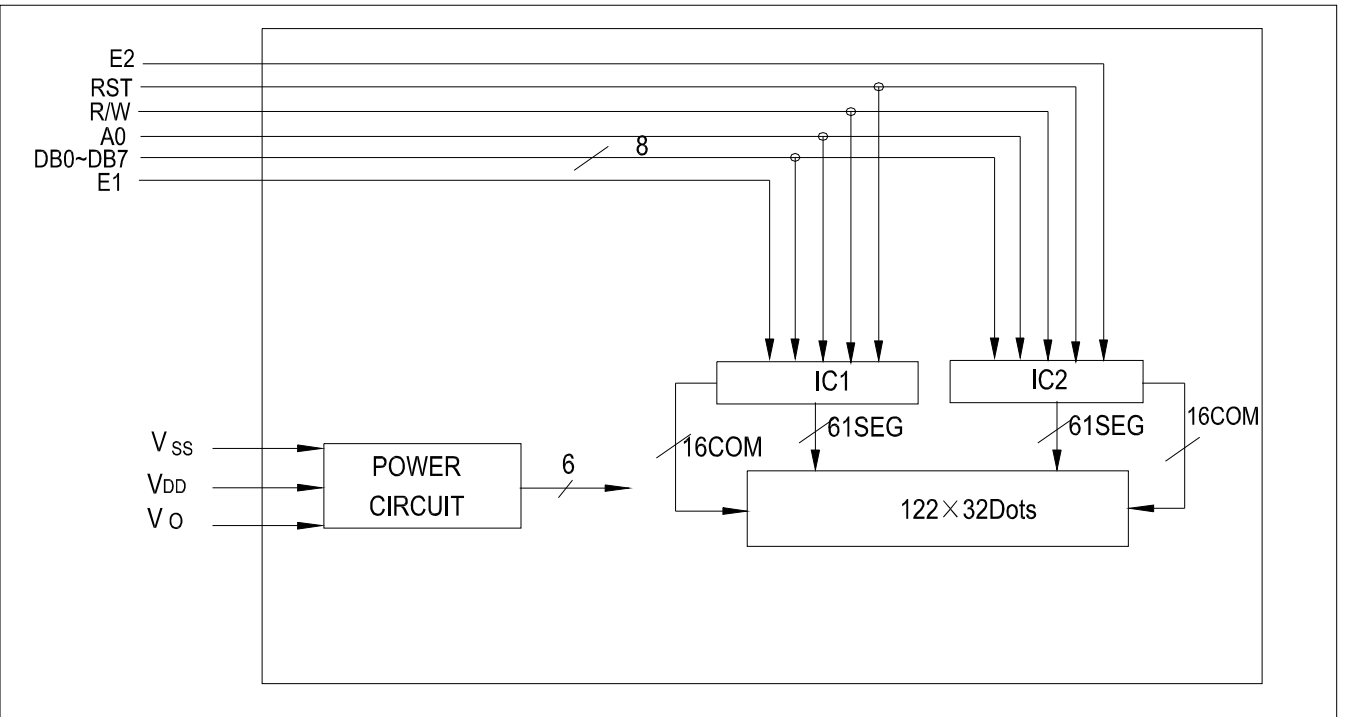


1.0 DIMENSIONAL DRAWING



2.0 BLOCK DIAGRAM



3.0 ELECTRICAL CHARACTERISTICS $T_a=25^\circ\text{C}$ $V_{DD}=5.0V \pm 0.25V$

Item	Symbol	Test Condition	Standard Value			Unit
			Min.	Typ.	Max.	
Power Supply Voltage	$V_{DD}-V_{SS}$	25°C	4.5	5.0	5.5	V
LCD Operation Voltage	V_{OP}		-	10.5	-	V
LCM Current Consumption	I_{DD}		-	5.0	7.5	mA
Backlight Forward Voltage	V_F		-	4.2	-	V

4.0 ABSOLUTE MAXIMUM RATINGS

Item	Symbol	Test Condition	Standard Value		
			Min.	Max.	Unit
Supply Voltage (Logic)	$V_{DD}-V_{SS}$	25°C	-0.3	7	V
Supply Voltage (LCD)	$V_{DD}-V_O$		0	13.5	V
Input Voltage	V_{IN}		-0.3	$V_{DD}+0.3$	V
Operating Temp.	T_{OPR}	-	-20	60	°C
Storage Temp.	T_{STG}	-	-30	70	°C

5.0 PIN ASSIGNMENT

PIN No.	Symbol	Description
1	VSS	Ground
2	Vo	Power supply for LCD
3	V _{DD}	Power supply for logic
4	A0	Register selection H: Display data; L: Instruction
5	E1	Enable signal for chip1
6	E2	Enable signal for chip2
7	R/W	Read/Write selection H: Read; L: Write
8	RST	Reset at rising edge
9~16	DB0~DB7	Data line
17	LEDK	LED Back-light
18	LEDA	LED Back-light

Remark

1. LCD option: STN, FSTN .
2. Standard module.
3. Backlight option: LED backlight feature, other specs not available on catalog is under request.