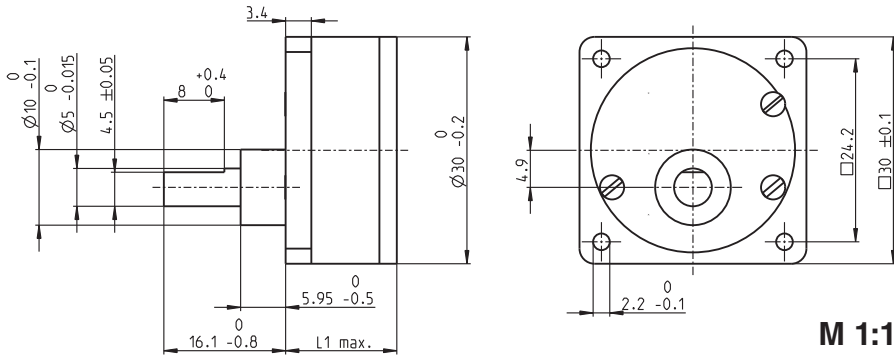


Spur Gearhead GS 30 A $\varnothing 30$ mm, 0.07 - 0.2 Nm



Technical Data

Spur Gearhead	straight teeth
Output shaft	stainless steel
Shaft diameter as option	8 mm
Bearing at output	sleeve bearing
Radial play, 5 mm from flange	max. 0.1 mm
Axial play	0.03 - 0.2 mm
Max. radial load, 5 mm from flange	35 N
Max. permissible axial load	15 N
Max. permissible force for press fits	400 N
Recommended input speed	< 5000 rpm
Recommended temperature range	-5 ... +80°C

Option: Low-noise version

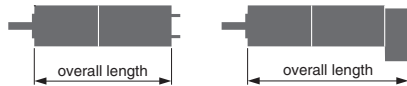
- Stock program
- Standard program
- Special program (on request)

Order Number

110445	110446	110447	110448	110449	110450
--------	--------	--------	--------	--------	--------

Gearhead Data

	15 : 1	30 : 1	60 : 1	100 : 1	200 : 1	500 : 1
1 Reduction	15 : 1	30 : 1	60 : 1	100 : 1	200 : 1	500 : 1
2 Reduction absolute	15	30	60	100	200	500
3 Max. motor shaft diameter	mm 2	2	2	2	2	2
4 Number of stages	3	3	4	4	5	6
5 Max. continuous torque	Nm 0.07	0.07	0.10	0.10	0.20	0.20
6 Intermittently permissible torque at gear output	Nm 0.21	0.21	0.30	0.30	0.60	0.60
12 Sense of rotation, drive to output	≠	≠	=	=	≠	=
7 Max. efficiency	% 73	73	66	66	60	53
8 Weight	g 40	40	45	45	50	55
9 Average backlash no load	° 1.0	1.0	1.5	1.5	2.0	2.5
10 Mass inertia	gcm ² 0.17	0.14	0.12	0.10	0.10	0.10
11 Gearhead length L1	mm 23.0	23.0	25.5	25.5	30.5	30.5



maxon Modular System

+ Motor	Page	+ Sensor/Brake	Page	Overall length [mm] = Motor length + gearhead length + (sensor / brake) + assembly parts					
A-max 26	101-108			67.8	67.8	70.3	70.3	75.3	75.3
A-max 26	102-108	MEnc 13	275	74.9	74.9	77.4	77.4	82.4	82.4
A-max 26	102-108	MR	262	76.6	76.6	79.1	79.1	84.1	84.1
A-max 26	102-108	Enc 22	265	82.2	82.2	84.7	84.7	89.7	89.7
A-max 26	102-108	HED_ 5540	267/268	86.6	86.6	89.1	89.1	94.1	94.1