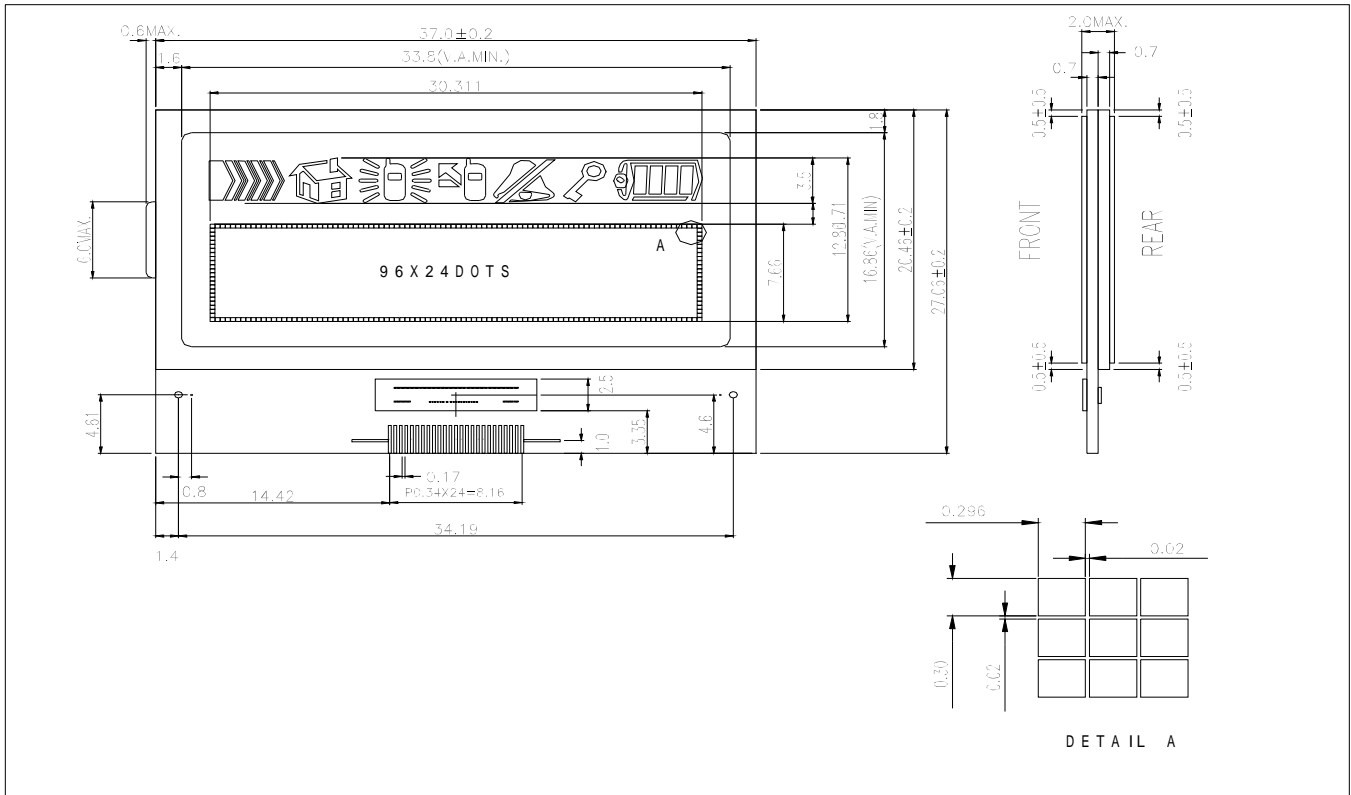
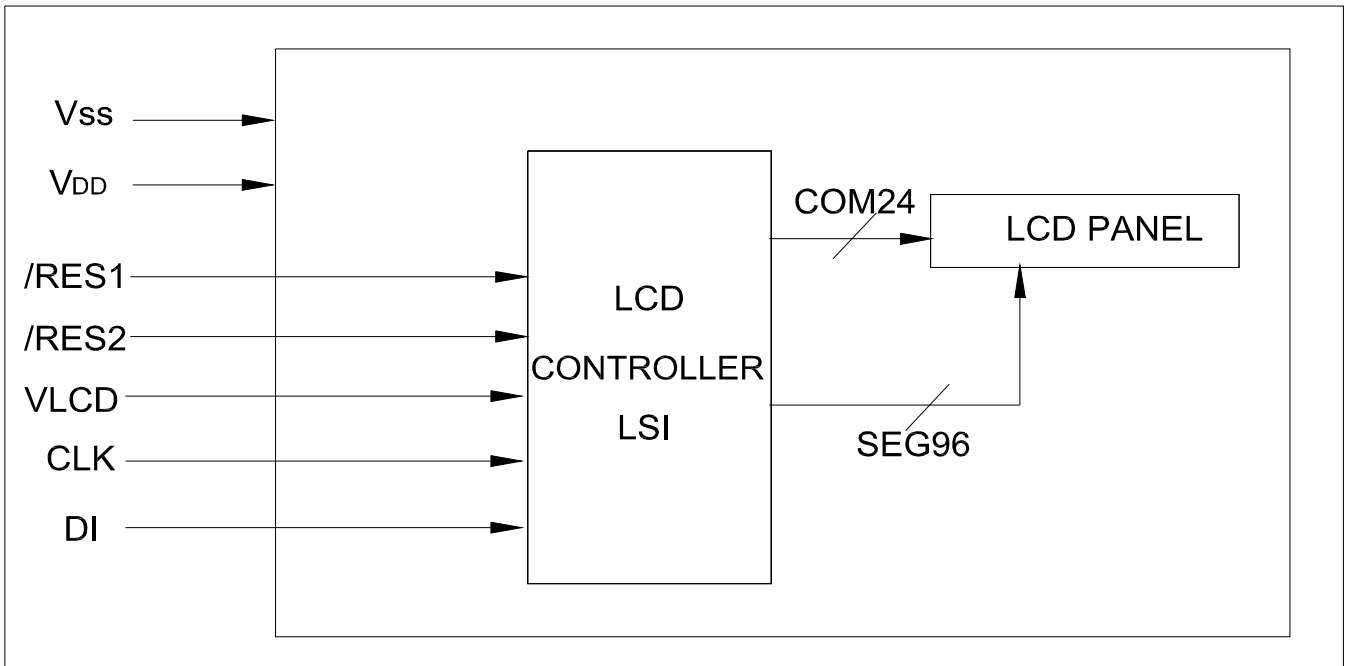


1.0 DIMENSIONAL DRAWING



2.0 BLOCK DIAGRAM



3.0 ELECTRICAL CHARACTERISTICS $T_a=25^\circ\text{C}$ $V_{DD}=3.0V \pm 0.25V$

Item	Symbol	Test Condition	Standard Value			Unit
			Min.	Typ.	Max.	
Power Supply Voltage	$V_{DD}-V_{SS}$	25°C	2.75	3.0	3.25-	V
LCD Operation Voltage	V_{OP}		-	6.1	-	V
LCM Current Consumption	I_{DD}		-	0.09	120	mA
Backlight Forward Voltage(EL)	V_F		-	-	-	Vrms

4.0 ABSOLUTE MAXIMUM RATINGS

Item	Symbol	Test Condition	Standard Value		
			Min.	Max.	Unit
Supply Voltage (Logic)	$V_{DD}-V_{SS}$	25°C	-0.3	6	V
Supply Voltage (LCD)	$V_{DD}-V_{O}$		-0.3	7	V
Input Voltage	V_{IN}		-0.3	$V_{DD}+0.3$	V
Operating Temp.	T_{OPR}	-	-20	60	°C
Storage Temp.	T_{STG}	-	-30	80	°C

5.0 PIN ASSIGNMENT

PIN No.	Symbol	Description
1	DUMMY	No connection
2~13	NC	No connection
14 15	VDD	Power supply(+)
16	VSS	Power supply(GND)
17 18	NC	No connection
19	VSS	Power supply(GND)
20	DI	Serial data input
21	CLK	Data clock input
22	VLCD	Internal generated voltage output
23	/RES2	General reset
24	/RES1	Reset the serial interface counter
25	DUMMY	No connection

Remark

1. LCD option: STN, FSTN .
2. Customized module.