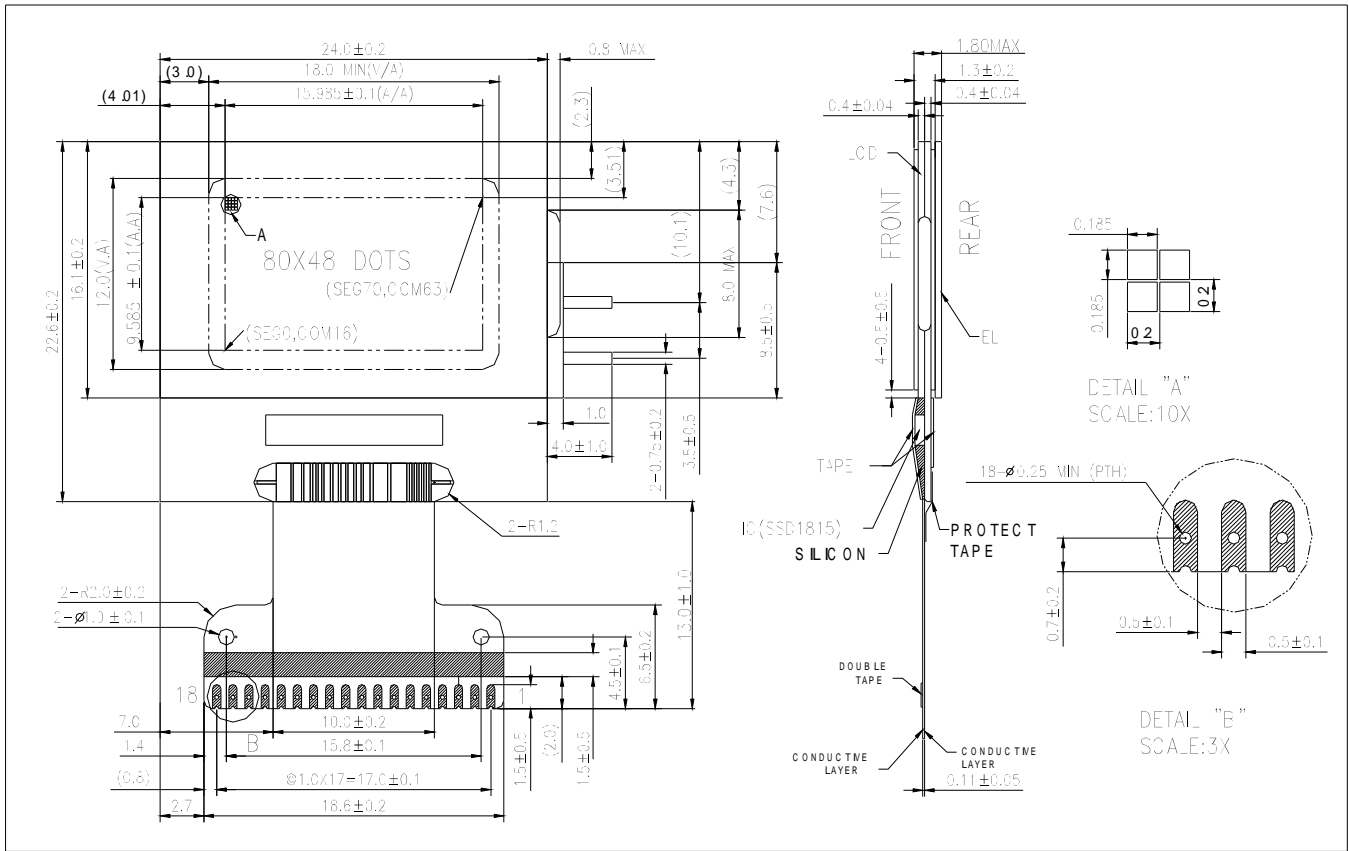
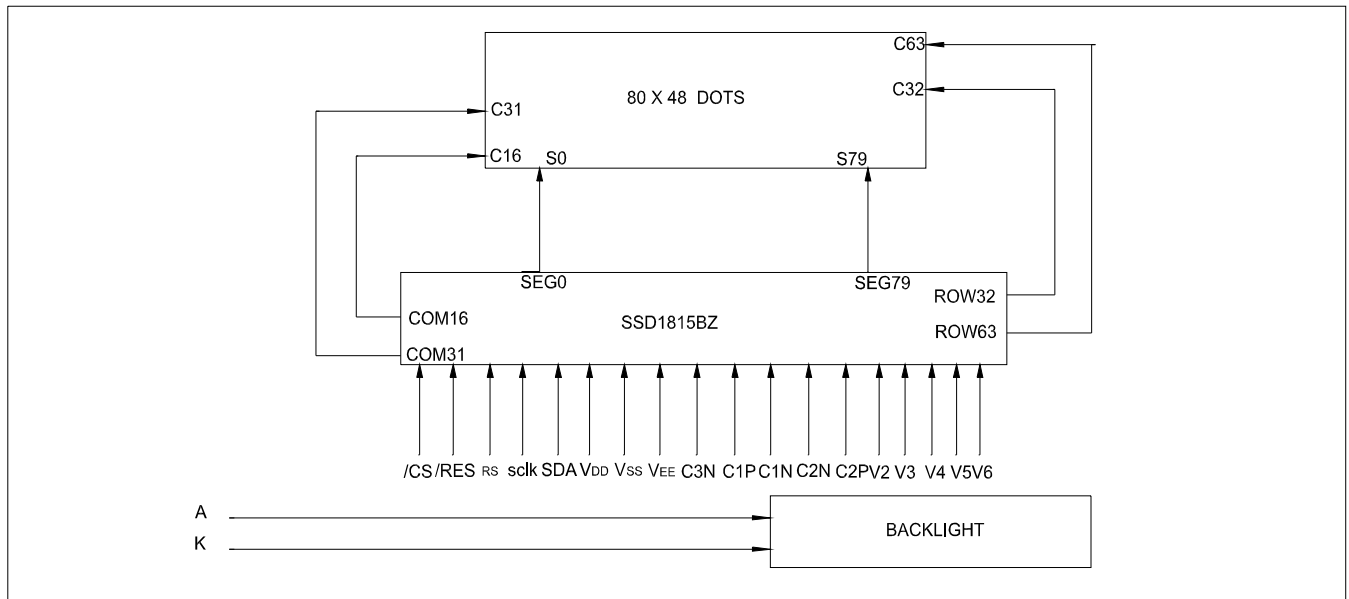


1.0 DIMENSIONAL DRAWING



2.0 BLOCK DIAGRAM



3.0 ELECTRICAL CHARACTERISTICS $T_a=25^\circ\text{C}$ $V_{DD}=2.8\text{V}\pm 0.25\text{V}$

Item	Symbol	Test Condition	Standard Value			
			Min.	Typ.	Max.	Unit
Power Supply Voltage	$V_{DD}-V_{SS}$	25°C	2.55	2.8	3.05	V
LCD Operation Voltage	V_{OP}		9.2	-	-	V
LCM Current Consumption	I_{DD}		2	3	-	mA
Backlight Forward Voltage(EL)	V_F		110	-	-	~V

4.0 ABSOLUTE MAXIMUM RATINGS

Item	Symbol	Test Condition	Standard Value		
			Min.	Max.	Unit
Supply Voltage (Logic)	$V_{DD}-V_{SS}$	25°C	-0.3	4.0	V
Supply Voltage (LCD)	V_{EE}		0	-12	V
Input Voltage	V_{IN}		-0.3	$V_{DD}+0.3$	V
Operating Temp.	T_{OPR}		-20	70	°C
Storage Temp.	T_{STG}		-30	80	°C

5.0 PIN ASSIGNMENT

PIN No.	Symbol	Description
1	/CS	Connect to MPU
2	/RES	Connect to MPU
3	RS	Connect to MPU
4	SCLK	Connect to MPU
5	SDA	Connect to MPU
6	VDD	Recommend +2.8V
7	VSS	GND
8	VEE	Connect to 1.0uFà VSS
9	C3N	Connect to 1.0uFà C1P
10	C1P	--
11	C1N	Connect to 1.0uFà C1P
12	C2N	Connect to 1.0uFà C2P
13	C2P	---
14	V2	Connect to 1.0uFà VDD
15	V3	Connect to 1.0uFà VDD
16	V4	Connect to 1.0uFà VDD
17	V5	Connect to 1.0uFà VDD
18	V6	Connect to 1.0uFà VDD

Remark

1. LCD option: FSTN .
2. Customized module.
3. Backlight option: EL backlight feature, other specs not available on catalog is under request.