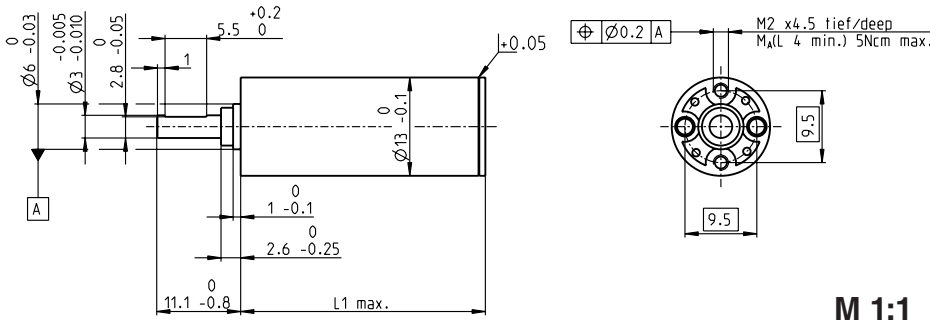


Planetary Gearhead GP 13 K $\varnothing 13$ mm, 0.05 - 0.15 Nm

Plastic Version

Technical Data

Planetary Gearhead	straight teeth
Housing, planetary wheels	plastic
Output shaft	stainless steel, hardened
Bearing at output	sleeve bearing
Radial play, 6 mm from flange	max. 0.12 mm
Axial play	0.02 - 0.10 mm
Max. permissible axial load	5 N
Max. permissible force for press fits	100 N
Sense of rotation, drive to output	=
Recommended input speed	< 8000 rpm
Recommended temperature range	-15 ... +80°C
Number of stages	1 2 3 4 5
Max. radial load, 6 mm from flange	2 N 3 N 4 N 5 N 5 N



M 1:1

- Stock program
- Standard program
- Special program (on request)

Order Number

137149	137150	137151	137152	137153
--------	--------	--------	--------	--------

Gearhead Data		137149	137150	137151	137152	137153
1 Reduction		4.1 : 1	17 : 1	67 : 1	275 : 1	1119 : 1
2 Reduction absolute		$\frac{57}{14}$	$\frac{3249}{196}$	$\frac{185193}{2744}$	$\frac{10556001}{38416}$	$\frac{601692057}{537824}$
3 Max. motor shaft diameter	mm	1.5	1.5	1.5	1.5	1.5
4 Number of stages		1	2	3	4	5
5 Max. continuous torque	Nm	0.050	0.075	0.100	0.125	0.150
6 Intermittently permissible torque at gear output	Nm	0.050	0.075	0.100	0.125	0.150
7 Max. efficiency	%	85	70	60	50	45
8 Weight	g	5.9	6.5	7.0	7.5	8.0
9 Average backlash no load	°	1.8	2.0	2.2	2.5	2.8
10 Mass inertia	gcm ²	0.025	0.009	0.008	0.008	0.008
11 Gearhead length L1	mm	15.5	21.4	25.1	28.8	32.5



maxon Modular System

+ Motor	Page	+ Sensor/Brake	Page	Overall length [mm] = Motor length + gearhead length + (sensor / brake) + assembly parts				
RE 13	57/59			34.8	40.7	44.4	48.1	51.8
RE 13, 0.75 W	59	MR	255-257	41.9	47.8	51.5	55.2	58.9
RE 13, 0.75 W	59	MEnc 13	274	42.6	48.5	52.2	55.9	59.6
RE 13	61/63			47.0	52.9	56.6	60.3	64.0
RE 13, 2 W	63	MR	255-257	54.1	60.0	63.7	67.4	71.1
RE 13, 2 W	63	MEnc 13	274	54.8	60.7	64.4	68.1	71.8
RE 13, 1.5 W	65/67			37.9	43.8	47.5	51.2	54.9
RE 13, 1.5 W	67	MR	255-257	44.0	49.9	53.6	57.3	61.0
RE 13, 1.5 W	67	MEnc 13	274	45.9	51.8	55.5	59.2	62.9
RE 13, 3 W	69/71			50.1	56.0	59.7	63.4	67.1
RE 13, 3 W	71	MR	255-257	56.2	62.1	65.8	69.5	73.2
RE 13, 3 W	71	MEnc 13	274	58.1	64.0	67.7	71.4	75.1
A-max 12	87/88			36.8	42.7	46.4	50.1	53.8
A-max 12, 0.5 W	88	MR	255-257	40.7	46.6	50.3	54.0	57.7
RE-max 13	115/116			36.1	42.0	45.7	49.4	53.1
RE-max 13, 0.75 W	116	MR	255-257	40.8	46.7	50.4	54.1	57.8
RE-max 13	117/118			47.1	53.0	56.7	60.4	64.1
RE-max 13, 2 W	118	MR	255-257	51.8	57.7	61.4	65.1	68.8