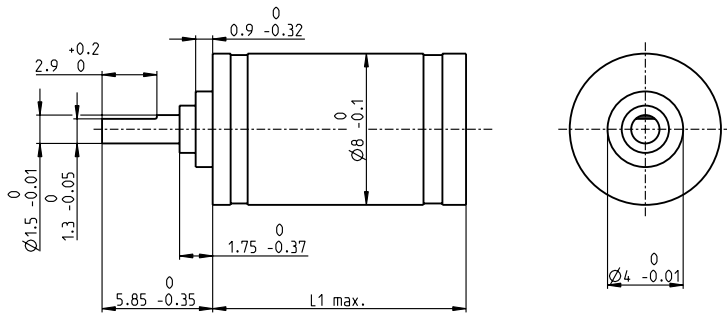


# Planetary Gearhead GP 8 A $\varnothing 8$ mm, 0.01 - 0.1 Nm



## Technical Data

Planetary Gearhead	straight teeth
Output shaft	stainless steel, hardened
Bearing at output	ball bearing
Option	sleeve bearing
Radial play, 5 mm from flange	max. 0.08 mm
Axial play	0.08 mm
Max. radial load, 5 mm from flange	5 N
Max. permissible axial load	5 N
Max. permissible force for press fits	10 N
Sense of rotation, drive to output	=
Recommended input speed	< 12 000 rpm
Recommended temperature range	-15 ... +80°C
Extended range as option	-40 ... +100°C

M 2.5:1

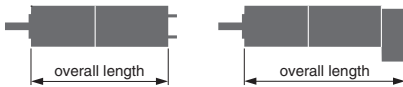
- Stock program
- Standard program
- Special program (on request)

## Order Number

370419	370420	370421	370422	370423	370674	381894	381895	381896	381897	381898	381899
--------	--------	--------	--------	--------	--------	--------	--------	--------	--------	--------	--------

## Gearhead Data

		4 : 1	16 : 1	64 : 1	256 : 1	1024 : 1	4096 : 1	4 : 1	16 : 1	64 : 1	256 : 1	1024 : 1	4096 : 1
1 Reduction		4 : 1	16 : 1	64 : 1	256 : 1	1024 : 1	4096 : 1	4 : 1	16 : 1	64 : 1	256 : 1	1024 : 1	4096 : 1
2 Reduction absolute		4	16	64	256	1024	4096	4	16	64	256	1024	4096
3 Max. motor shaft diameter	mm	1	1	1	1	1	1	1	1	1	1	1	1
4 Number of stages		1	2	3	4	5	6	1	2	3	4	5	6
5 Max. continuous torque	Nm	0.010	0.020	0.060	0.080	0.100	0.100	0.010	0.020	0.060	0.080	0.100	0.100
6 Intermittently permissible torque at gear output	Nm	0.015	0.030	0.090	0.120	0.150	0.150	0.015	0.030	0.090	0.120	0.150	0.150
7 Max. efficiency	%	90	81	73	65	59	53	90	81	73	65	59	53
8 Weight	g	2.6	3.2	3.8	4.4	5.0	5.6	2.6	3.2	3.8	4.4	5.0	5.6
9 Average backlash no load	°	1.80	2.00	2.20	2.50	2.80	3.0	1.80	2.00	2.20	2.50	2.80	3.0
10 Mass inertia	gcm <sup>2</sup>	0.004	0.004	0.004	0.004	0.004	0.004	0.004	0.004	0.004	0.004	0.004	0.004
11 Gearhead length L1	mm	10.8	13.4	16.0	18.6	21.1	23.7	9.2	11.7	14.3	16.9	19.5	22.0



## maxon Modular System

+ Motor	Page	+ Sensor/Brake	Page	Overall length [mm] = Motor length + gearhead length + (sensor / brake) + assembly parts											
RE 8, 0.5 W	51			26.9	29.5	32.1	34.7	37.2	39.8						
RE 8, 0.5 W	51	MR	256	33.5	36.1	38.7	41.3	43.8	46.4						
EC 8, 2 W	139									32.3	34.8	37.4	40.0	42.6	45.1