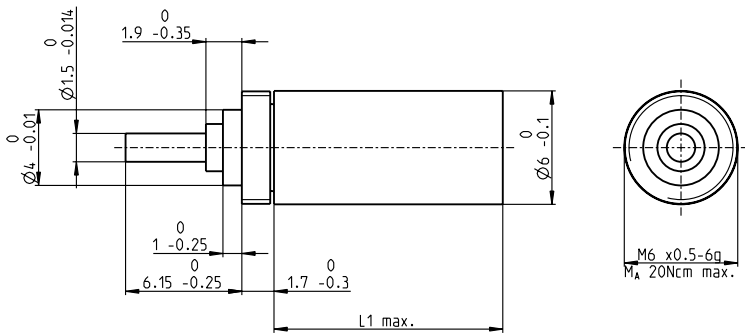


# Planetary Gearhead GP 6 A $\varnothing 6$ mm, 0.002-0.03 Nm



## Technical Data

Planetary Gearhead	straight teeth
Output shaft	stainless steel
Bearing at output	ball bearing
Option	sleeve bearing
Radial play, 5 mm from flange	max. 0.12 mm
Axial play	0.02-0.10 mm
Max. radial load, 5 mm from flange	5 N
Max. permissible axial load	5 N
Max. permissible force for press fits	10 N
Sense of rotation, drive to output	=
Recommended input speed	< 40000 rpm
Recommended temperature range	-40 ... +100°C

M 2.5:1

- Stock program
- Standard program
- Special program (on request)

## Order Number

304178	304179	304180	304181	304182
--------	--------	--------	--------	--------

## Gearhead Data

	304178	304179	304180	304181	304182
1 Reduction	3.9 : 1	15 : 1	57 : 1	221 : 1	854 : 1
2 Reduction absolute	$\frac{27}{7}$	$\frac{729}{49}$	$\frac{19683}{343}$	$\frac{531441}{2401}$	$\frac{14348907}{16807}$
3 Max. motor shaft diameter	mm 1	1	1	1	1
4 Number of stages	1	2	3	4	5
5 Max. continuous torque	Nm 0.002	0.005	0.010	0.030	0.030
6 Intermittently permissible torque at gear output	Nm 0.005	0.010	0.020	0.060	0.060
7 Max. efficiency	% 88	77	68	60	52
8 Weight	g 1.7	2.1	2.5	2.9	3.3
9 Average backlash no load	° 1.8	2.0	2.2	2.5	2.8
10 Mass inertia	gcm <sup>2</sup> 0.001	0.001	0.001	0.001	0.001
11 Gearhead length L1	mm 6.2	8.7	11.3	13.9	16.5

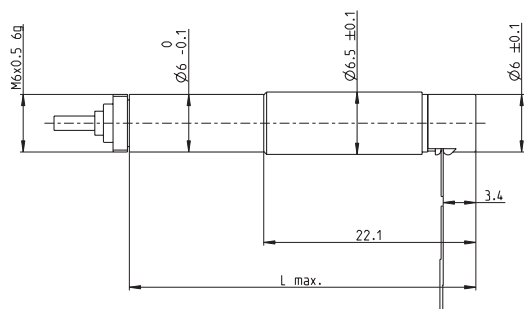


## maxon Modular System

+ Motor	Page	+ Sensor/Brake	Page	Overall length [mm] = Motor length + gearhead length + (sensor / brake) + assembly parts				
RE 6, 0.3 W	50			21.9	24.4	27.0	29.6	32.2
RE 6, 0.3 W, Cap	50			25.9	28.4	31.0	33.6	36.2
EC 6, 1.2 W	138			28.4	30.9	33.5	36.1	38.7
EC 6, 1.2 W	138	MILE	254	28.8	31.3	33.9	36.5	39.1

## Variant dimensions for the EC 6 combination (including assembly sleeve)

### Combinations of EC 6 with GP 6



### Combinations of EC 6 with MILE Encoder and GP 6

