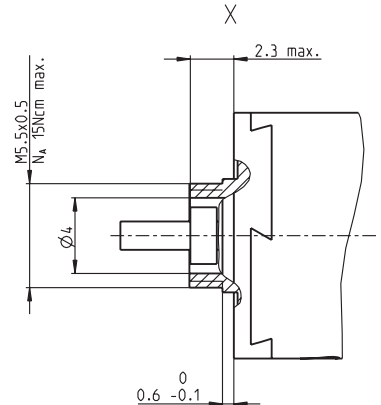
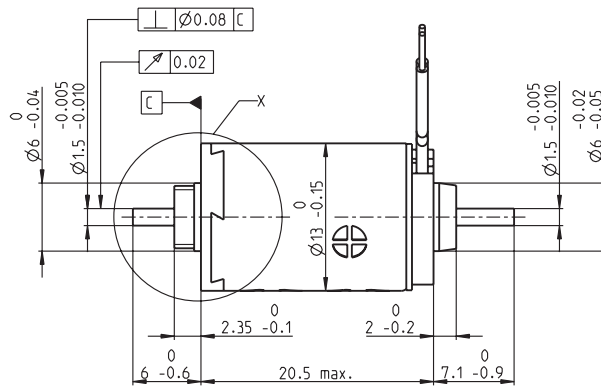
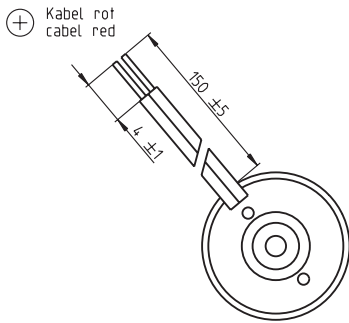


RE-max 13 \varnothing 13 mm, Precious Metal Brushes, 0.75 Watt

Kabel AWG 28/7
cabel UL Style 1061



M 1.5:1

- Stock program
- Standard program
- Special program (on request)

Order Number

268336	268337	268338	268339	268340	268341	268342	268343	268344	268345	268346	268347	268348	268349	268350
--------	--------	--------	--------	--------	--------	--------	--------	--------	--------	--------	--------	--------	--------	--------

Motor Data

Values at nominal voltage		0.6	0.72	0.9	1.2	1.5	1.8	1.8	2.4	3.0	3.6	4.8	6.0	6.0	7.2	10.0	
1	Nominal voltage	V	0.6	0.72	0.9	1.2	1.5	1.8	1.8	2.4	3.0	3.6	4.8	6.0	6.0	7.2	10.0
2	No load speed	rpm	6830	6680	6590	7260	7010	6880	5980	6520	6730	6520	6980	7040	6570	6690	7070
3	No load current	mA	78.8	63.9	49.9	42.7	32.6	26.3	21.8	18.3	15.3	12.2	10.1	8.15	7.43	6.33	4.92
4	Nominal speed	rpm	5250	4520	4040	4140	3010	2250	2990	3260	1440	1470	1680	1680	3290	3340	1660
5	Nominal torque (max. continuous torque)	mNm	0.328	0.416	0.546	0.674	0.892	1.11	0.766	0.832	1.31	1.26	1.31	1.30	0.780	0.805	1.28
6	Nominal current (max. continuous current)	A	0.480	0.480	0.480	0.480	0.480	0.480	0.295	0.260	0.331	0.258	0.214	0.171	0.0992	0.0865	0.102
7	Stall torque	mNm	1.45	1.32	1.45	1.61	1.60	1.68	1.57	1.70	1.71	1.67	1.77	1.74	1.60	1.65	1.72
8	Starting current	A	1.81	1.35	1.16	1.06	0.816	0.700	0.569	0.502	0.417	0.329	0.279	0.222	0.191	0.167	0.132
9	Max. efficiency	%	63	62	64	65	65	66	65	66	66	66	66	66	65	66	66
Characteristics		0.331	0.533	0.775	1.13	1.84	2.57	3.17	4.78	7.20	11.0	17.2	27.0	31.4	43.2	75.8	
10	Terminal resistance	Ω	0.331	0.533	0.775	1.13	1.84	2.57	3.17	4.78	7.20	11.0	17.2	27.0	31.4	43.2	75.8
11	Terminal inductance	mH	0.0056	0.0083	0.0135	0.0199	0.0333	0.0501	0.0661	0.0993	0.145	0.223	0.346	0.532	0.607	0.847	1.47
12	Torque constant	mNm / A	0.802	0.980	1.25	1.51	1.96	2.41	2.76	3.39	4.10	5.08	6.33	7.84	8.38	9.89	13.0
13	Speed constant	rpm / V	11900	9740	7650	6300	4870	3970	3460	2820	2330	1880	1510	1220	1140	965	734
14	Speed / torque gradient	rpm / mNm	4920	5300	4760	4710	4570	4240	3960	3980	4090	4050	4100	4190	4280	4220	4280
15	Mechanical time constant	ms	18.6	16.3	15.1	14.5	14.0	13.6	13.3	13.3	13.3	13.2	13.2	13.3	13.3	13.3	13.3
16	Rotor inertia	gcm ²	0.361	0.295	0.303	0.293	0.292	0.306	0.322	0.318	0.310	0.311	0.308	0.303	0.297	0.300	0.297

Specifications

Thermal data

17	Thermal resistance housing-ambient	47.5 K / W
18	Thermal resistance winding-housing	14 K / W
19	Thermal time constant winding	5.08 s
20	Thermal time constant motor	356 s
21	Ambient temperature	-20 ... +65°C
22	Max. permissible winding temperature	+85°C

Mechanical data (sleeve bearings)

23	Max. permissible speed	11000 rpm
24	Axial play	0.05 - 0.15 mm
25	Radial play	0.014 mm
26	Max. axial load (dynamic)	0.8 N
27	Max. force for press fits (static) (static, shaft supported)	35 N / 140 N
28	Max. radial loading, 5 mm from flange	1.4 N

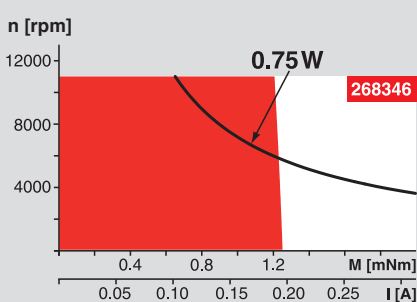
Other specifications

29	Number of pole pairs	1
30	Number of commutator segments	7
31	Weight of motor	15 g

Alignment of the electronic connections not specified.

Values listed in the table are nominal.
Explanation of the figures on page 49.

Operating Range



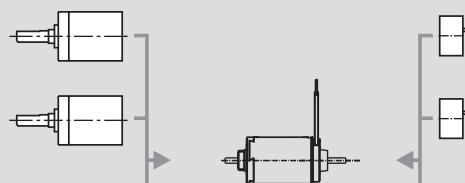
Comments

- Continuous operation
In observation of above listed thermal resistance (lines 17 and 18) the maximum permissible winding temperature will be reached during continuous operation at 25°C ambient.
= Thermal limit.
- Short term operation
The motor may be briefly overloaded (recurring).
- Assigned power rating

maxon Modular System

Planetary Gearhead
 \varnothing 13 mm
0.05 - 0.15 Nm
Page 208

Planetary Gearhead
 \varnothing 13 mm
0.2 - 0.35 Nm
Page 209



Encoder MR
16 Imp.,
2 channels
Page 255

Encoder MR
64 - 256 Imp.,
2 channels
Page 256 / 257

Recommended Electronics:
LSC 30/2 Page 282
EPOS2 Module 36/2 304
Notes 18

Overview on page 16 - 21